

EURBORN®

EURBORN® **2025** CATALOGUE

Factory Address: No. 6, Hongshi Road, Ludong District, Humen Town,
Dongguan City, Guangdong Province, China.
Tel: 0769-85232755 Fax: 0769-85232835

Office Address: Room 702, Zhe Jiang Commercial Building, No. 430
Dongguan Avenue, Nancheng District, Dongguan City, Guangdong
Province, China
Tel: 0769 23022798 Fax: 0769 2302 2799

Office Address(HK): Rm 2914, 29 F, Ho King Commercial Centre,
2-16 Fa Yuen Street, Mongkok KLN, HK, China.
Tel: +852 368 95995 Tel: +852 3484 8836

Website: www.eurborn.com Email: info@eurborn.com

The catalogue is subject to change without further notice.

SPECIALISING IN

**WATERPROOF
LIGHTING**

2025

HYPERLINK INSTRUCTIONS

1 Contents page



To product guidance page



1 007-084 UNDERWATER LIGHT

To product details page



EU1920	011	GL119T	037	BL100	063
EU1960	013	GL119CT	039	PL021	065
GL108	015	GL119SQ	041	PL023	067
GL308	017	GL129	043	PL023-2L	069
GL112	019	GL140B	045	PL026	071
GL112H	021	GL140BP	047	EU3030	073
GL116	023	GL140	049	EU3031	075

2 Product guidance page

Product Guidance

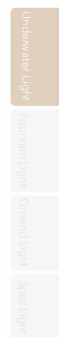
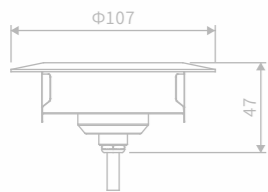


Back to contents page

To product details page

IMAGE	PRODUCT CODE	POWER	OPTICS (°)	CCT (K)	IP	
	EU1920	12	20°x40°	Single/ Full colour	68	01010 ▶
	EU1960	36	120°x120°x45°	Single/ Full colour	68	03354 ▶
	GL108	1	120	Single	68	016016 ▶
	GL308	1	120	Single/ Full Color	68	077018 ▶
	GL112	1	120°x160°	Single/ Full colour	68	019030 ▶
	GL112H	1	120°x160°	Single	68	021032 ▶
	GL116	1	120°x145°	Single/ Full colour	68	023034 ▶
	GL116H	1	120°x160°	Single	68	025036 ▶

3 Product details page



Back to the corresponding product guidance page (when color block shows)

Switch to different product guidance page



SPECIALISING IN

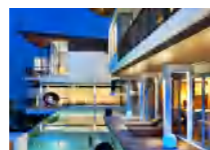
WATERPROOF LIGHTING

EUROBORNE



001-006 COMPANY INTRODUCTION

ABOUT US	001
Techniques and product	003
Company culture	004
Enterprise Honour	005



1 007-084 UNDERWATER LIGHT

EU1920	011	GL119T	037	BL100	063
EU1960	013	GL119CT	039	PL021	065
GL108	015	GL119SQ	041	PL023	067
GL308	017	GL129	043	PL023-2L	069
GL112	019	GL140B	045	PL026	071
GL112H	021	GL140BP	047	EU3030	073
GL116	023	GL140	049	EU3031	075
GL116H	025	GL140SQ	051	EU3032	077
GL116Q	027	GL150	053	EU3042	079
GL116SQ	029	GL166	055	EU1971	081
GL118	031	GL168	057	EU1972	083
GL118T	033	GL266	059		
GL119	035	GL268	061		



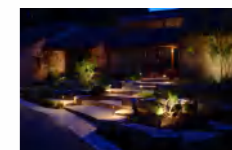
5 187-210 LINE LIGHT

EU2004	191
EU2007	193
EU2008	195
EU2011	197
EU2012	199
EU2018	201
EU2009	203
EU2009HP	205
LL700	207
LL710	209



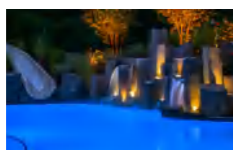
6 211-240 WALL LIGHT

EU1811-1A-P1	215
EU1811-1A-P2	217
EU1808B	219
EU1820	221
ML101	223
ML102	225
ML103	227
ML104	229
ML110	231
EU2501	233
EU1837	235
GL112SJ	237
EU1831	239



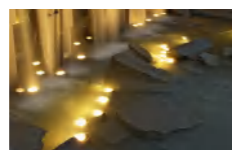
7 241-254 SPIKE LIGHT

SL131	245
SL133	247
SL100	249
EU3039-1-SP	251
EU5011	253



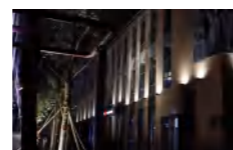
2 085-092 FOUNTAIN LIGHT

FL410	089
FL411	091



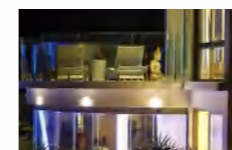
3 093-148 GROUND LIGHT

EU1926	097	GL240	123
EU1927	099	GL310	125
EU1928	101	EU1953	127
EU1965H	103	EU1947	129
EU1968	105	EU1948	131
EU1968B	107	EU1967	133
GL117	109	EU1958	135
GL130	111	EU1959	137
GL151	113	EU1915	139
GL191	115	EU1934	141
GLO80	117	EU1935	143
GL120	119	EU1936	145
GL180	121	EU1966	147



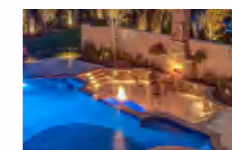
4 149-186 SPOT LIGHT

EU3045	153	PL624	177
EU3046	155	PL824	179
EU3047	157	EU2001	181
EU3048	159	EU2006	183
EU3036	161	EU3085	185
EU3039	163		
EU3040	165		
EU3040B	167		
EU3060	169		
PL608	171		
PL612	173		
PL618	175		



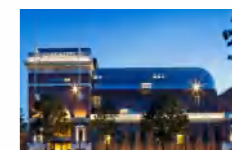
8 255-268 OTHER LIGHT

EU1857	257
EU2509	259
ML110-L	261
ML102-L	263
LED03	265
LED09	267



269-274 CUSTOMIZED

Customized Services	273
---------------------	-----



275-292 ACCESSORIES

System And Connection	277
Accessories	279
Project	286
Annexes	291

CORPORATE PROFILE

Eurborn

Eurborn, originating from the brand design concept of Italian designers, with the creative design and pursuit of excellent quality lighting as the core positioning, focuses on the most advanced LED technology and craftsmanship and is committed to providing high-quality lighting application solutions. After more than 20 years of dedicated development, "Eurborn" has become a well-known LED lighting brand with its unique product style and excellent quality.

In 2006, we invested and established Eurborn Corporation Limited in Dongguan, the world's smart manufacturing capital. With logistics, industrial and supply chain superiority, we offer a full range of services to international markets such as Europe, North America, Asia, Oceania, etc. At the same time, we have established a domestic marketing centered around Beijing, and established service centers in cities such as Shanghai, Nanjing, and Chengdu.

In 2001

Originated from Italy

More than 20yrs

Dedicated development

In 2006

Established Eurborn Corporation Limited



An area of the production base covered

More than 5400m²

Automatic production line

9 Units

Production Base

Our R&D and production base covers an area of more than 5,400 squaremeters, with a development center, mould center, injection moulding center, CNC center, dust-free spray center, dust-free assembly center, silkscreen and pad printing center, inspection and testing center, warehousing and logistics center and other full-process service departments, and 6 automated production lines and 3 semi-automated production lines. By investing in supporting facilities, we avoid the uncontrollable waste of time and cost of third-party processing and ensure the reliability of service, quality and delivery.

"Eurborn" Team

"Eurborn" focuses on the reserve of technical talents and the construction of a Highly qualified team. We provide a broad platform for growth, advancement and harvesting, nesting and fostering, and building a full-fledged team that is innovative and independent. The company currently has 22 professional senior engineers. We currently has a development team of 22 professional middle and senior engineers, based on professional academic research, led by senior engineers, all of whom have more than 15 years of work experience in mold and lighting design institutes.

"Eurborn" lamps and designs in projects are spread all over the world. Our team has become a leading force in the development of the industry. At the same time, we have also established a deep-level school-enterprise production-university-research strategic cooperation relationship with universities, constantly complementing each other's advantages to form strong competitiveness.

Senior Engineers

22

Work experience

More than 15 years





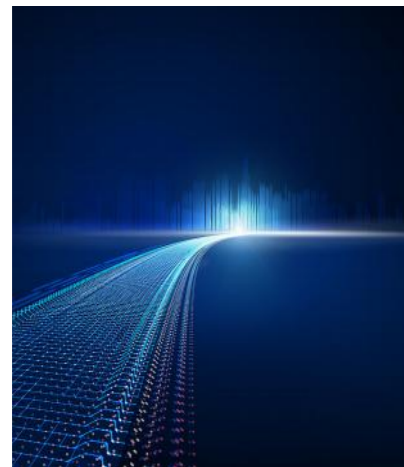
Technology and Products

After more than 20 years of progress and development, "Eurborn" has continuously expanded its product line with its strong technical accumulation and customized development as its own advantage. It has successively launched more than 1,000 models of products in 7 series, including underwater lights, fountain lights, in-ground lights, floodlights, linear lights, side wall lights, and ground lights. It has obtained 49 national patents and obtained CE, RoHS, UL, GS, PSE, FCC and other export certifications. Our products are widely used in a series of extreme application scenarios such as seawater salt and humidity, desert drought, high cold, high heat, and high corrosion. With the reliability of quality, it has won unanimous recognition from customers at home and abroad.

EURBORN

The Future

Highly efficient and agile product development and enables us to drive innovations, regularly launching premium products at a fast pace.



Insight into market demand, specialize in advanced technologies in the field, use the best materials, the most advanced technology, and the most reliable quality to serve current and new customers, continue to be a leader in the lighting industry
At its inception, Eurborn began producing

The world's finest architectural lighting solutions.



CORPORATE CULTURE

Specialising in waterproofing technology



Mission
Customisation, Delivery exceed expectation.



Vision
Be an industry expert enterprise, a century-old "Eurborn" brand.



Corporate values
Quality, service, success, win-win.



Quality principle
Leading the Advance technology, dedicating to a ultimate technology.

ENTERPRISE HONOUR



EURBORN

Enterprise Honour

01

Underwater Light



Product Guidance



IMAGE	PRODUCT CODE	POWER	OPTICS (°)	CCT (K)	IP	PAGE
	EU1920	12	(20/45)	Single/ full colour	68	011/012 ▶
	EU1960	36	S20/F60(30/45)	Single/ full colour	68	013/014 ▶
	GL108	1	120	Single	68	015/016 ▶
	GL308	1	120	Single/ full Colour	68	017/018 ▶
	GL112	1	S20/F60	Single/ full colour	68	019/020 ▶
	GL112H	1	S20/F60	Single	68	021/022 ▶
	GL116	1	S12/F45	Single/ full colour	68	023/024 ▶
	GL116H	1	S20/F60	Single	68	025/026 ▶
	GL116Q	1	Polarized 20°40/ Polarized 40	Single	68	027/028 ▶
	GL116SQ	3	S12/F45	Single/ full colour	68	029/030 ▶
	GL118	1	120	Single/ full colour	68	031/032 ▶
	GL118T	1	120	Single/ full colour	68	033/034 ▶
	GL119	2	S20/F60	Single/ full colour	68	035/036 ▶
	GL119T	2	S20/F60	Single/ full colour	68	037/038 ▶
	GL119CT	2	S20/F60	Single/ full colour	68	039/040 ▶
	GL119SQ	2	S20/F60	Single/ full colour	68	041/042 ▶
	GL129	3	S20/F60	Single/ full colour	68	043/044 ▶
	GL140B	5	15/24/36/60	Single	68	045/046 ▶
	GL140BP	5	Polarized 5°20°/30°	Single	68	047/048 ▶
	GL140	9	S20/30/45/F60	Single/ full colour	68	049/050 ▶
	GL140SQ	9	F20/F60	Single/ full colour	68	051/052 ▶
	GL150	9	120	Single/ full colour	68	053/054 ▶
	GL166	12	S10/F40	Single/ full colour	68	055/056 ▶
	GL168	12	S10/F40	Single	68	057/058 ▶
	GL266	12	S10/F40	Single/ full colour	68	059/060 ▶
	GL268	12	S10/F40	Single	68	061/062 ▶
	BL100	20	F40	Single/ full colour	68	063/064 ▶
	PL021	3	12/45	Single/ full colour	68	065/066 ▶
	PL023	9	S20/F60	Single/ full colour	68	067/068 ▶
	PL023-2L	9	S20/F60	Single/ full colour	68	069/070 ▶
	PL026	12	S10/F40	Single/ full colour	68	071/072 ▶
	EU3030	14	15/30/45/60	Single/ full colour	68	073/074 ▶
	EU3031	22	15/30/45/60	Single/ full colour	68	075/076 ▶
	EU3032	43	10/30/45/60	Single/ full colour	68	077/078 ▶
	EU3042	36	S20/F60(30/45)	Single/ full colour	68	079/080 ▶
	EU1971	36	20/30/45/60	Single/ full colour	68	081/082 ▶
	EU1972	36	20/30/45/60	Single/ full colour	68	083/084 ▶

Note: The IP68 rated lamp is applicable for underwater or in-ground use.

01

EURBORN

Underwater Light

In view of the harsh and complex underwater use environment, the primary goal of Eurborn in developing lamps is to ensure safety and reliability. According to different applications requirements, we customize heat dissipation and waterproof solutions so that they can operate safely, stably and reliably in specific underwater environments, and have cost-effective advantages.

Taking into full consideration the performance requirements of lamps such as salt resistance, corrosion resistance, and temperature and pressure difference resistance, EURBORN's selection of materials and accessories are all higher than the industry standards. In addition, the waterproofing process is completed with 20 years of professional waterproofing experience.

After more than 20 years of dedicated development and technological exploration, EURBORN has developed 3 series and more than 40 models of underwater lighting products, which are widely used in underwater, architectural, gardening, indoor and other fields. With outstanding performance advantages and fashionable designs, they are exported to 135 countries and regions, and have been well received by users.

20 YEARS
Customisation &
development experiences

ITALY
Designed

Exported to 135
Countries and regions



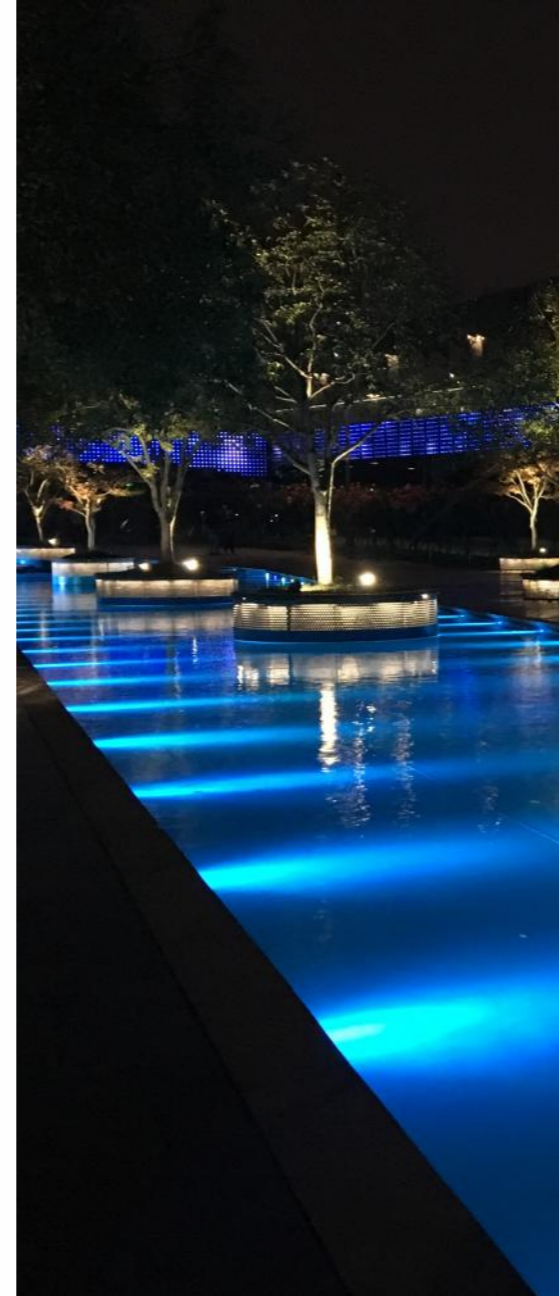
Recessed underwater light



Surface mounted underwater light
(round)



Surface mounted underwater light
(Linear)



Color temperature range

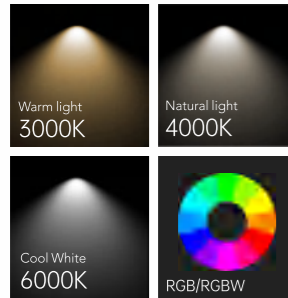
1800K--6500K

- ✓ IP68 rated
- ✓ 3 layers sealing
- ✓ Stable operation underwater 10M
- ✓ Marine grade SUS316 stainless steel
- ✓ Corrosion resistance
- ✓ 50000hrs lifetime
- ✓ ≥3M cable
- ✓ Water pressure resistance
- ✓ High quality LED
- ✓ Easily maintained

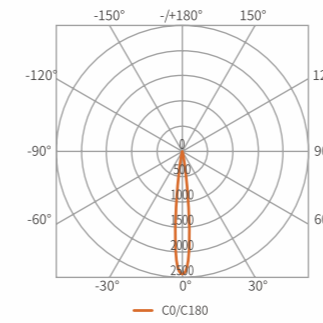


EU1920

Recessed Pool Underwater Light

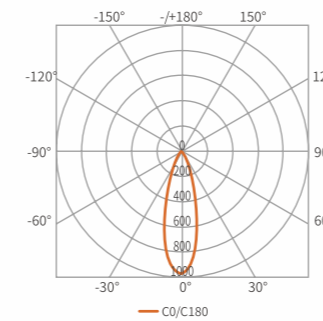


EU1920 6W 4000K 10°

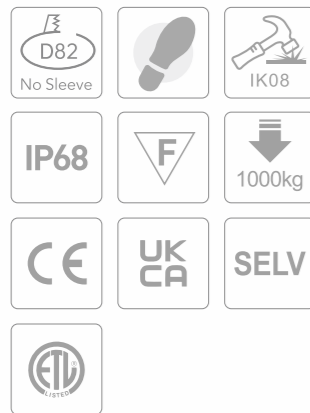
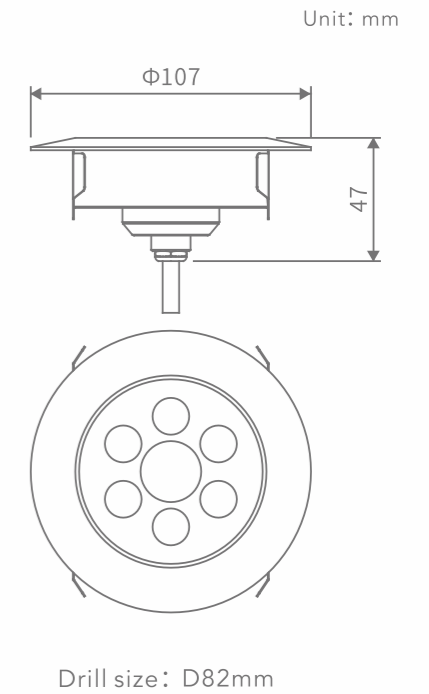


H(m)	Eavg(lx)	Emax(lx)	D(cm)
1	1397	548.1	24.63
2	349.2	243.61	49.26
3	155.2	137	73.89
4	87.29	93.98	98.52
5	55.87	87.69	123.15

EU1920 6W 4000K 45°



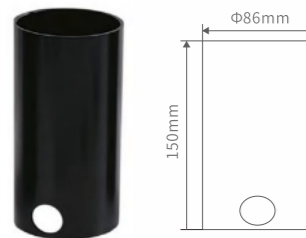
H(m)	Eavg(lx)	Emax(lx)	D(cm)
1	563	869.41	74.93
2	140.7	217.41	149.86
3	65.55	121.41	224.79
4	35.18	96.6	299.72
5	22.52	16.22	374.65



Frame+body Material: SUS316+SUS316
 Available finishes: Brushed, Polished, Passivated
 Tempered Glass: 8mm ultra-white tempered glass
 LED brand: CREE/OSRAM/NICHIA
 Power Supply: External (CC)/Driver chip on board(CV)
 Installation: Recessed, Ambient temperature -20°C~ +45°C
 Cable: Outdoor used rubber cable, 3M length
 Unit Weight: 0.8Kg
 Load Pressure: 1000KG (Static)
 Controls: ON/OFF, DMX, 0/1-10V, PWM
 Protection Class: IP68
 Certificate: CE, Rohs, IP, ETL
 (LED)Averaged Lifetime: 50,000hrs

Note:The IP68 rated lamp is applicable for underwater and in-ground usage.
 Please refer to pages 283-285 to choose a remote power supply.

Optional Accessory



IP68 rated Waterproof performance	SUS316 Entirely Stainless steel	50000h Long lifetime	1000Kg Static Pressure Loading
-----------------------------------	---------------------------------	----------------------	--------------------------------



Parameters

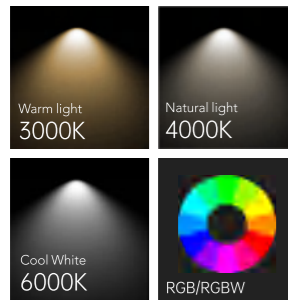
Power(W)	Source flux(lm)	Delivered flux(lm)	Applications	Product Code
6	815	570	Unlimited	G2.1920 ±06 ⚡ ⚡ ⚡ ⚡
9	1120	855	Underwater only	G2.1920 ±09 ⚡ ⚡ ⚡ ⚡
12	1500	1140	Underwater only	G2.1920 ±12 ⚡ ⚡ ⚡ ⚡

Filter Structure	☀	Power	①	Input	⚡
Regular	01	6W	06	Constant current	0
Frosted glass	02	9W	09	DC12V	1
Opal plate	06	12W	12	DC24V	2
Honeycomb louvre	08				

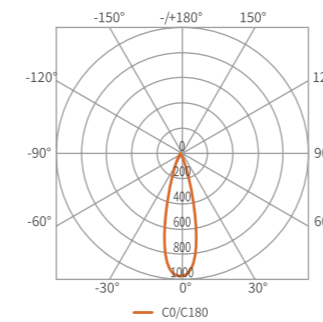
CCT Range	⚡	Optics	📐	Controls	⊕
2700K	2	20°	3	Constant current	0
3000K	3	45°	5	ON/OFF	1
4000K	5	60°	6	DMX512	2
6000K	8	120°	7	0/1-10V	3
RGB	D			PWM	6
RGBW	H				

EU1960

Recessed Pool Underwater Light

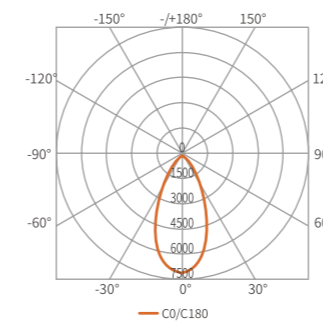


EU1960D 13W 4000K 20°

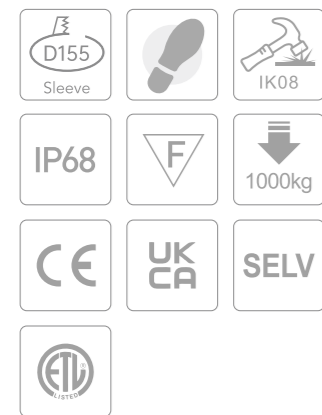
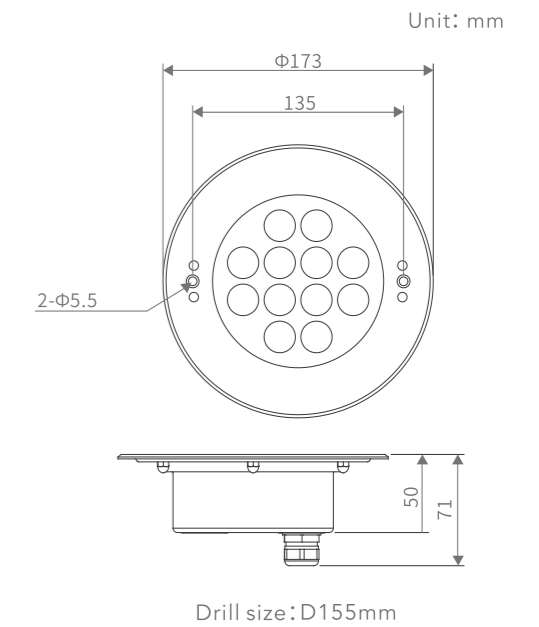


H(m)	Eavg(lx)	Emax(lx)	D(cm)
1	1611	2349	37.29
2	402.8	587.31	74.58
3	179	261.01	111.87
4	100.7	146.81	149.16
5	64.44	93.98	186.45

EU1960D 13W 4000K 60°



H(m)	Eavg(lx)	Emax(lx)	D(cm)
1	252.6	405.4	92.2
2	63.16	101.4	184.4
3	28.07	45.05	184.4
4	15.79	25.34	368.8
5	10.11	16.22	461

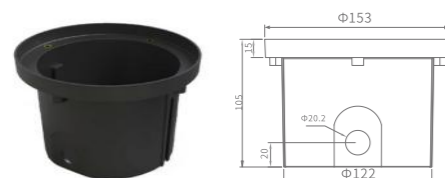


Frame+body Material: SUS316+SUS316
 Available finishes: Brushed, Polished, Passivated
 Tempered Glass: 10mm ultra-white tempered glass
 LED brand: CREE/OSRAM/NICHIA
 Power Supply: External (CC)/Driver chip on board(CV)
 Installation: Recessed, Ambient temperature -20°C~ +45°C
 Cable: Outdoor used rubber cable, 3M length
 Unit Weight: 1.48Kg
 Load Pressure: 1000KG (Static)
 Controls: ON/OFF, DMX, 0/1-10V, PWM
 Protection Class: IP68
 Certificate: CE, Rohs, IP, ETL
 (LED)Averaged Lifetime: 50,000hrs

Note:The IP68 rated lamp is applicable for underwater and in-ground usage.

Please refer to pages 283-285 to choose a remote power supply.

Optional Accessory



IP68 rated Waterproof performance	SUS316 Entirely Stainless steel	50000h Long lifetime	1000Kg Static Pressure Loading
-----------------------------------	---------------------------------	----------------------	--------------------------------



Parameters

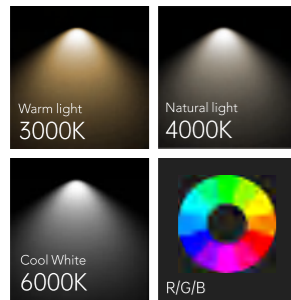
Power(W)	Source flux(lm)	Delivered flux(lm)	Applications	Product Code
13	1600	1200	Unlimited	G2.1960 13 13 13 13
24	3150	2200	Underwater only	G2.1960 24 24 24 24
36	4000	3100	Underwater only	G2.1960 36 36 36 36

Filter Structure	☀	Power	①	Input	⚡
Regular	01	13W	13	Constant current	0
Opal plate	06	24W	24	DC12V	1
Honeycomb louvre	08	36W	36	DC24V	2

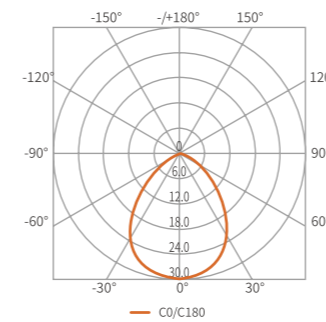
CCT Range	☀	Optics	📐	Controls	⊙
3000K	3	20°	3	Constant current	0
4000K	5	30°	4	ON/OFF	1
6000K	8	45°	5	DMX512	2
RGB	D	60°	6	0/1-10V	3
RGBW	H	120°	7	PWM	6

GL108

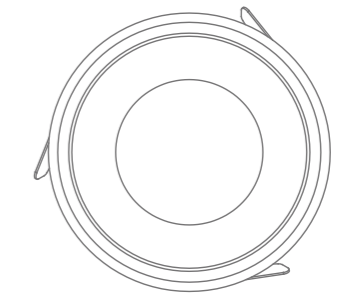
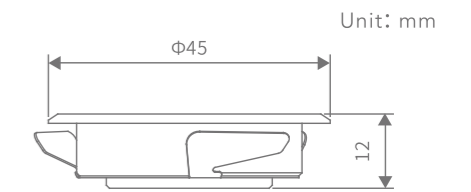
Recessed Pool Underwater Light



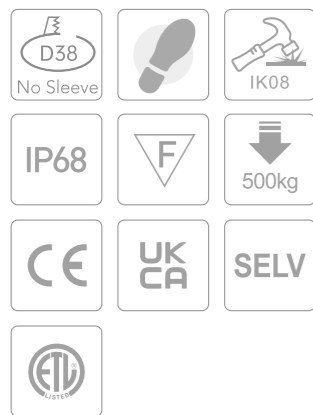
GL108 1W 4000K 120°



H(m)	Eavg(lx)	Emax(lx)	D(cm)
1	4.345	15.016	304.93
2	1.086	3.789	609.86
3	0.4828	1.684	914.79
4	0.2916	0.9473	1219.72
5	0.1738	0.6063	1524.62



Drill size: D38mm

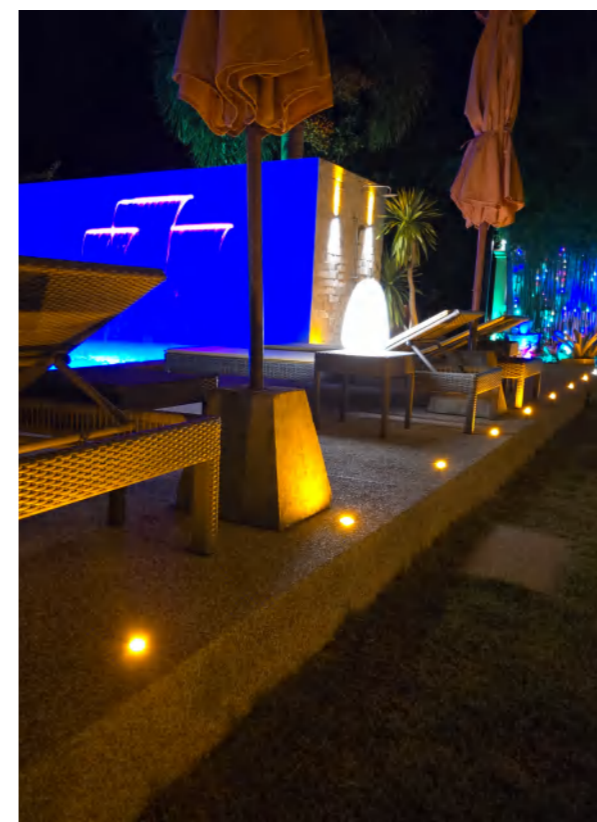


Frame+body Material: SUS316+SUS316
 Available finishes: Brushed, Polished, Passivated
 Transmitting material: 5mm PC
 LED brand: CREE/OSRAM/NICHIA
 Power Supply: Remote driver(Constant current)
 Installation: Recessed, Ambient temperature -20°C~+45°C
 Cable: Outdoor used rubber cable, 1.1M length
 Unit Weight: 0.07Kg
 Load Pressure: 500KG (Static)
 Controls: Constant current
 Protection Class: IP68
 Certificate: CE, Rohs, IP, ETL
 (LED)Averaged Lifetime: 50,000hrs

Note:The IP68 rated lamp is applicable for underwater and in-ground usage.

Please refer to pages 283-285 to choose a remote power supply.

IP68 rated Waterproof performance	SUS316 Entirely Stainless steel	50000h Long lifetime	500Kg Static Pressure Loading
-----------------------------------	---------------------------------	----------------------	-------------------------------



Parameters

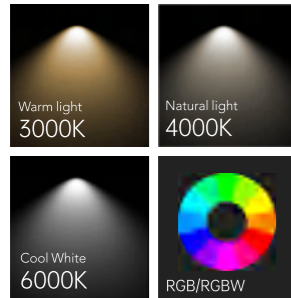
Power(W)	Source flux(lm)	Delivered flux(lm)	Applications	Product Code
1	135	80	Unlimited	G2.0108 ±01 ⚡⚙️Ⓜ️

Filter Structure	⚡	Power	①	Input	⚡
Regular	01	1W	01	Constant current	0

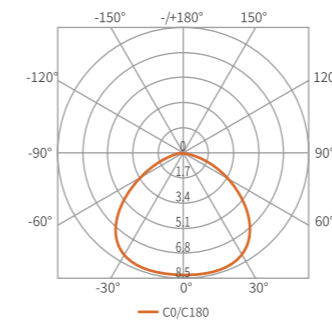
CCT Range	⚙️	Optics	📐	Controls	Ⓜ️
3000K	3	120°	7	Constant current	0
4000K	5				
6000K	8				

GL308

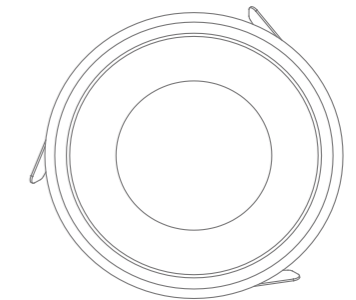
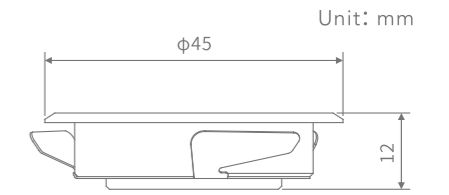
Recessed Pool Underwater Light



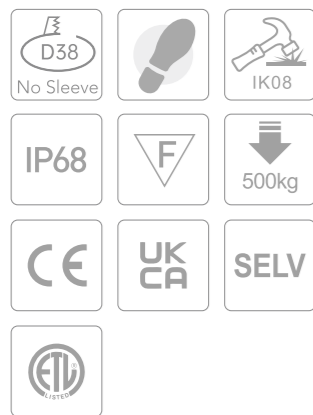
GI308 1W 4000K 120°



H(m)	Eavg(lx)	Emax(lx)	D(cm)
1	2.663	9.353	300.91
2	0.6659	2.338	601.81
3	0.2959	1.039	902.72
4	0.1665	0.5845	1203.62
5	0.1065	0.3741	1504.53



Drill size: D38mm

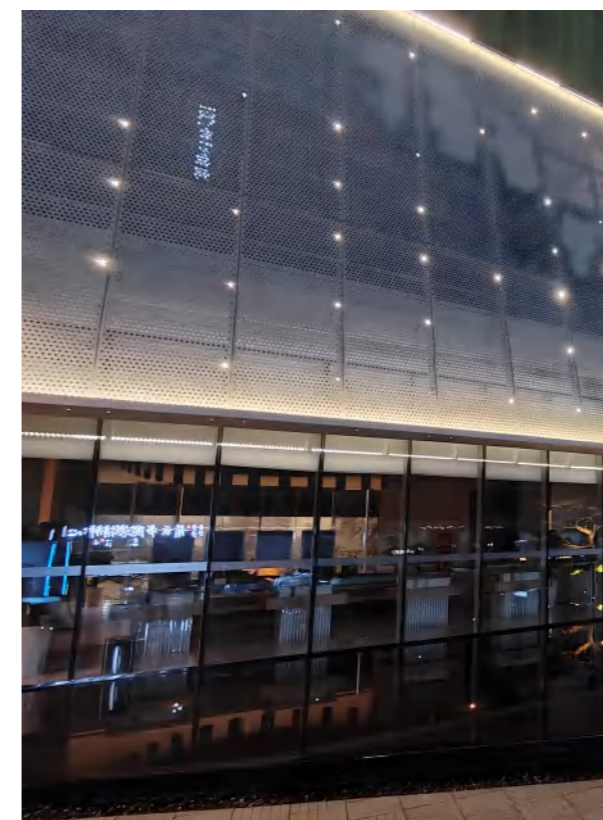


Frame+body Material: SUS316+SUS316
 Available finishes: Brushed, Polished, Passivated
 Transmitting material: 5mm PC
 LED brand: CREE/OSRAM/NICHIA
 Power Supply: External Driver chip on board(CV)
 Installation: Recessed, Ambient temperature -20°C~ +45°C
 Cable: Outdoor used rubber cable, 1.1M length
 Unit Weight: 0.075Kg
 Load Pressure: 500KG (Static)
 Controls: ON/OFF, DMX, PWM
 Protection Class: IP68
 Certificate: CE, Rohs, IP, ETL
 (LED)Averaged Lifetime: 50,000hrs

Note:The IP68 rated lamp is applicable for underwater and in-ground usage.

Please refer to pages 283-285 to choose a remote power supply.

IP68 rated Waterproof performance	SUS316 Entirely Stainless steel	50000h Long lifetime	500Kg Static Pressure Loading
-----------------------------------	---------------------------------	----------------------	-------------------------------



Parameters

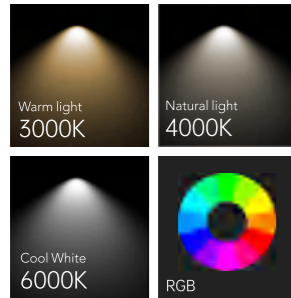
Power(W)	Source flux(lm)	Delivered flux(lm)	Applications	Product Code
1	75	30	Unlimited	G2.0308 ±01 ⚡⚡⚡⚡

Filter Structure	☀️	Power	Ⓜ️	Input	⚡
Regular	01	1W	01	DC12V DC24V	1 2

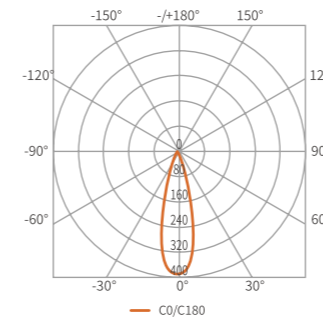
CCT Range	⊞	Optics	📐	Controls	⊕
3000K	3	120°	7	ON/OFF	1
4000K	5			DMX512	2
6000K	8			PWM	6
RGB	D				
RGBW	H				

GL112

Recessed Pool Underwater Light

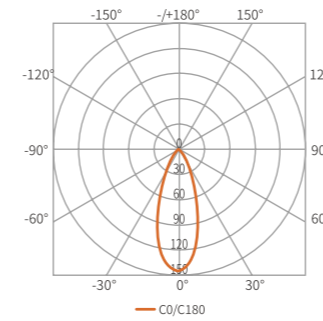


GL112 1W 4000K 20°

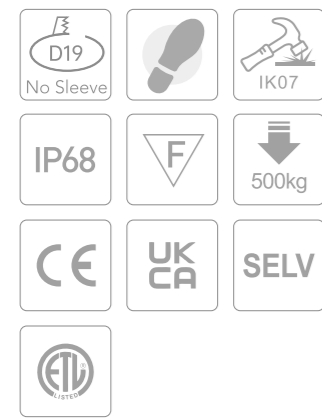
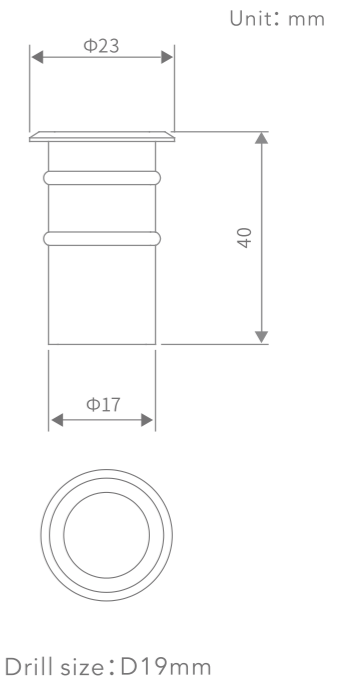


H(m)	Eavg(lx)	Emax(lx)	D(cm)
1	272.7	377	33.74
2	68.18	94.25	67.48
3	30.3	41.89	101.23
4	17.05	23.56	134.97
5	10.91	15.08	168.71

GL112 1W 4000K 60°



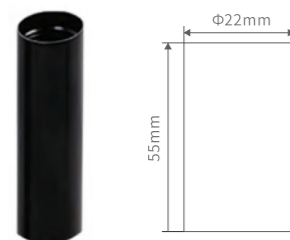
H(m)	Eavg(lx)	Emax(lx)	D(cm)
1	97.24	148.81	68.2
2	24.31	37.2	136.39
3	10.8	16.53	204.59
4	6.078	9.301	272.78
5	3.89	59.53	340.98



Frame+body Material: SUS316+SUS316
 Available finishes: Brushed, Polished, Passivated
 Tempered Glass: 3mm ultra-white tempered glass
 LED brand: CREE/OSRAM/NICHIA
 Power Supply: External (CC)/Driver chip on board(CV)
 Cable: Outdoor used rubber cable, 1.1M length
 Unit Weight: 0.06Kg
 Load Pressure: 500KG (Static)
 Controls: ON/OFF, DMX, PWM
 Protection Class: IP68
 Certificate: CE, Rohs, IP, ETL
 (LED)Averaged Lifetime: 50,000hrs

Note:The IP68 rated lamp is applicable for underwater and in-ground usage.
 Please refer to pages 283-285 to choose a remote power supply.

Optional Accessory



IP68 rated Waterproof performance	SUS316 Entirely Stainless steel	50000h Long lifetime	500Kg Static Pressure Loading
-----------------------------------	---------------------------------	----------------------	-------------------------------



Parameters

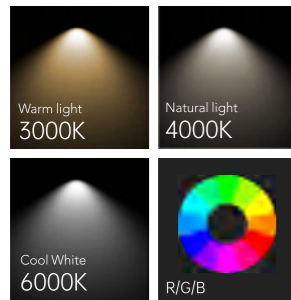
Power(W)	Source flux(lm)	Delivered flux(lm)	Applications	Product Code
0.5	75	60	Unlimited	G2.0112 ± X5
1	135	110	Unlimited	G2.0112 ± 01
2	190	152	Underwater only	G2.0112 ± 02

Filter Structure	☀	Power	①	Input	⚡
Regular	01	0.5W	X5	Constant current	0
Frosted glass	02	1W	01	DC12V	1
Half shaded glass	03	2W	02	DC24V	2
Opal plate	06				
Honeycomb louvre	08				

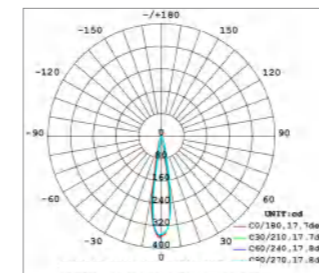
CCT Range	☁	Optics	📐	Controls	⊙
3000K	3	20°	3	Constant current	0
4000K	5	45°	5	ON/OFF	1
6000K	8	60°	6	DMX512	2
RGB	D	120°	7	PWM	6

GL112H

Recessed Pool Underwater Light

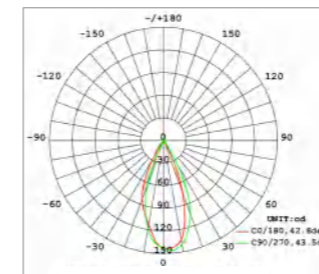


GL112H 1W 3000K 20°

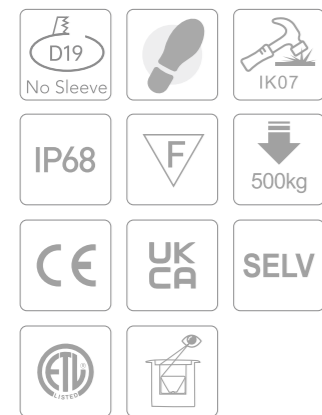
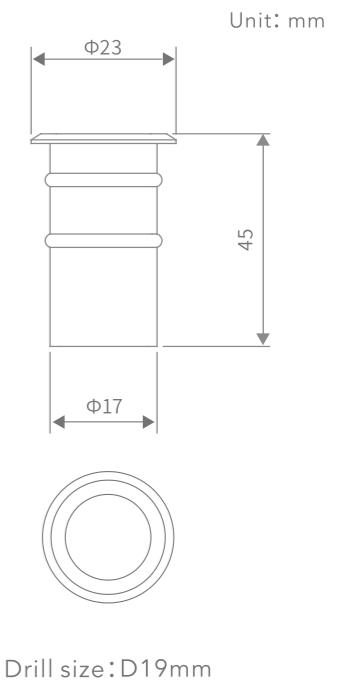


H(m)	Eavg(lx)	Emax(lx)	D(cm)
1	265.0	362.6	31.11
2	66.26	90.66	62.22
3	29.45	40.29	93.33
4	16.56	22.67	124.43
5	10.60	14.51	154.54

GL112H 1W 3000K 45°



H(m)	Eavg(lx)	Emax(lx)	D(cm)
1	93.02	144.7	78.35
2	23.25	36.18	156.71
3	10.34	16.08	235.06
4	5.814	9.046	313.42
5	3.721	5.789	391.77

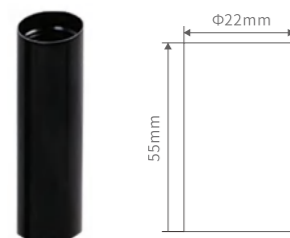


Frame+body Material: SUS316+SUS316
 Available finishes: Brushed, Polished, Passivated
 Tempered Glass: 3mm ultra-white tempered glass
 LED brand: CREE/OSRAM/NICHIA
 Power Supply: External (CC)/Driver chip on board(CV)
 Installation: Recessed, Ambient temperature -20°C~ +45°C
 Cable: Outdoor used rubber cable, 1.1M length
 Unit Weight: 0.06Kg
 Load Pressure: 500KG (Static)
 Controls: Constant current, ON/OFF
 Protection Class: IP68
 Certificate: CE, Rohs, IP, ETL
 (LED)Averaged Lifetime: 50,000hrs

Note:The IP68 rated lamp is applicable for underwater and in-ground usage.

Please refer to pages 283-285 to choose a remote power supply.

Optional Accessory



IP68 rated Waterproof performance	SUS316 Entirely Stainless steel	50000h Long lifetime	500Kg Static Pressure Loading
-----------------------------------	---------------------------------	----------------------	-------------------------------



Parameters

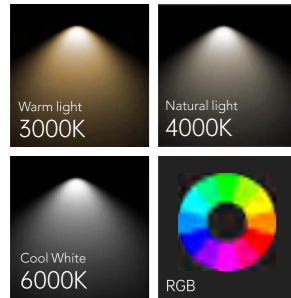
Power(W)	Source flux(lm)	Delivered flux(lm)	Applications	Product Code
1	135	110	Unlimited	G2.0112 01
2	190	152	Underwater only	G2.0112 02

Filter Structure	Power	Input
Frosted glass	02	Constant current
Hlaf shaded glass	03	DC12V
Anti-glare baffle	09	DC24V

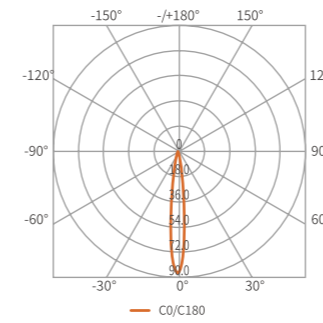
CCT Range	Optics	Controls
3000K	3	Constant current
4000K	5	ON/OFF
6000K	8	
	20°	3
	30°	4
	45°	5
	60°	6

GL116

Recessed Pool Underwater Light

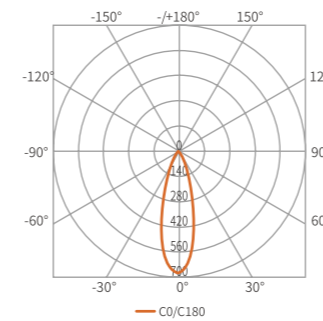


GL116 1W 4000K 12°

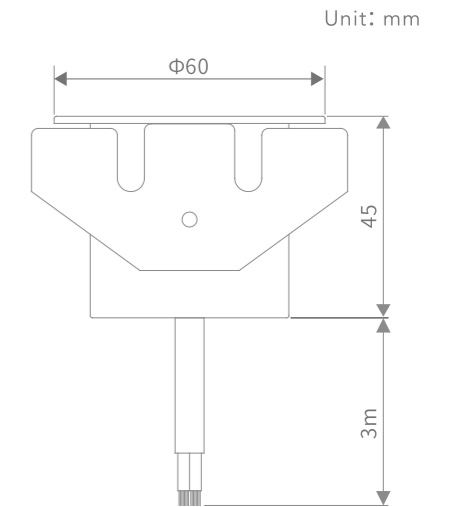


H(m)	Eavg(lx)	Emax(lx)	D(cm)
1	643.6	950.8	19.68
2	160.9	237.7	39.36
3	71.51	105.61	59.05
4	40.22	59.42	78.73
5	25.74	38.03	98.41

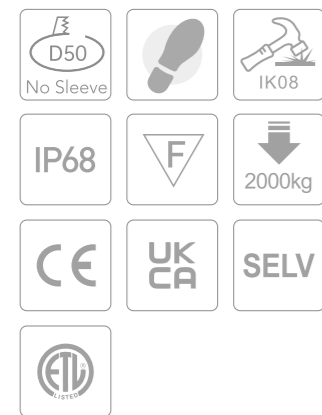
GL116 1W 4000K 45°



H(m)	Eavg(lx)	Emax(lx)	D(cm)
1	185.1	271.4	51.81
2	46.28	67.85	103.61
3	20.57	30.15	155.42
4	11.57	16.96	207.23
5	7.405	10.861	259.03



Drill size: D50mm



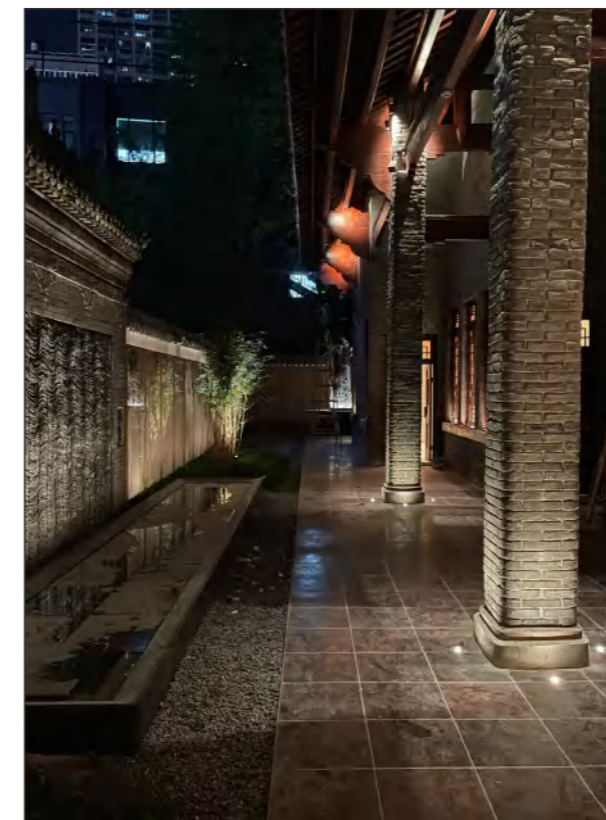
Frame+body Material: SUS316+SUS316
 Available finishes: Brushed, Polished, Passivated
 Tempered Glass: 6mm ultra-white tempered glass
 LED brand: CREE/OSRAM/NICHIA
 Power Supply: External (CC)/Driver chip on board(CV)
 Installation: Recessed, Ambient temperature -20°C~ +45°C
 Cable: Outdoor used rubber cable, 3M length
 Unit Weight: 0.465Kg
 Load Pressure: 2000KG (Static)
 Controls: ON/OFF, DMX, 0/1-10V, PWM
 Protection Class: IP68
 Certificate: CE, Rohs, IP, ETL
 (LED)Averaged Lifetime: 50,000hrs

Note:The IP68 rated lamp is applicable for underwater and in-ground usage.
 Please refer to pages 283-285 to choose a remote power supply.

Optional Accessory



IP68 rated Waterproof performance	SUS316 Entirely Stainless steel	50000h Long lifetime	2000Kg Static Pressure Loading
-----------------------------------	---------------------------------	----------------------	--------------------------------



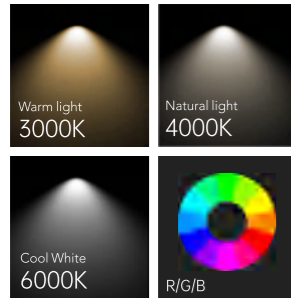
Parameters

Power(W)	Source flux(lm)	Delivered flux(lm)	Applications	Product Code
1	135	100	Unlimited	G2.0116 01
2	180	130	Unlimited	G2.0116 02
3	300	220	Unlimited	G2.0116 03
4	430	325	Underwater only	G2.0116 04

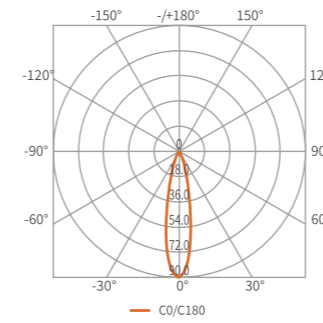
Filter Structure	Power	Optics	Input	Controls
Regular	01	12°	01	Constant current
Frosted glass	02	45°	02	DC12V
Half shaded glass	03	3W	03	DC24V
Opal plate	06	4W	04	
Honeycomb louvre	08			
3000K	3	12°	1	Constant current
4000K	5	45°	5	ON/OFF
6000K	8	120°	7	DMX512
RGB	D			0/1-10V
				PWM

GL116H

Recessed Pool Underwater Light

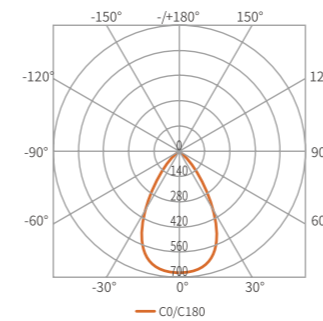


G116H 1W 4000K 20°

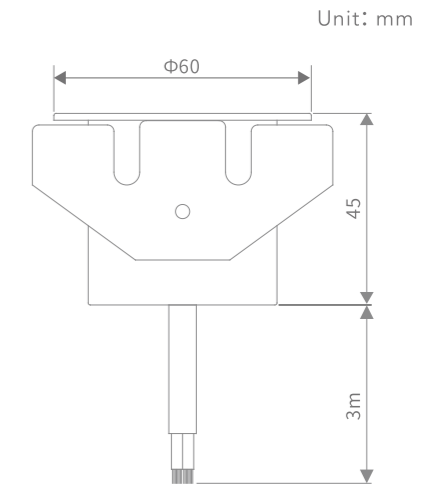


H(m)	Eavg(lx)	Emax(lx)	D(cm)
1	439.2	651	29.39
2	109.8	162.7	58.79
3	48.8	72.33	88.18
4	27.45	40.68	117.58
5	17.57	26.04	146.97

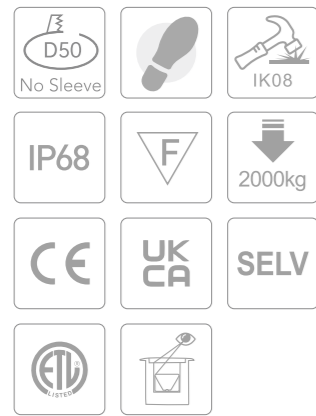
G116H 1W 4000K 60°



H(m)	Eavg(lx)	Emax(lx)	D(cm)
1	55.78	86.36	86.79
2	13.94	21.59	173.59
3	6.197	9.596	260.38
4	3.486	5.398	347.17
5	2.231	3.454	433.97



Drill size: D50mm



Frame+body Material: SUS316+SUS316
 Available finishes: Brushed, Polished, Passivated
 Tempered Glass: 6mm ultra-white tempered glass
 LED brand: CREE/OSRAM/NICHIA
 Power Supply: External (CC)/Driver chip on board(CV)
 Installation: Recessed, Ambient temperature -20°C~ +45°C
 Cable: Outdoor used rubber cable, 3M length
 Unit Weight: 0.465Kg
 Load Pressure: 2000KG (Static)
 Controls: Constant current, ON/OFF
 Protection Class: IP68
 Certificate: CE, Rohs, IP, ETL
 (LED)Averaged Lifetime: 50,000hrs

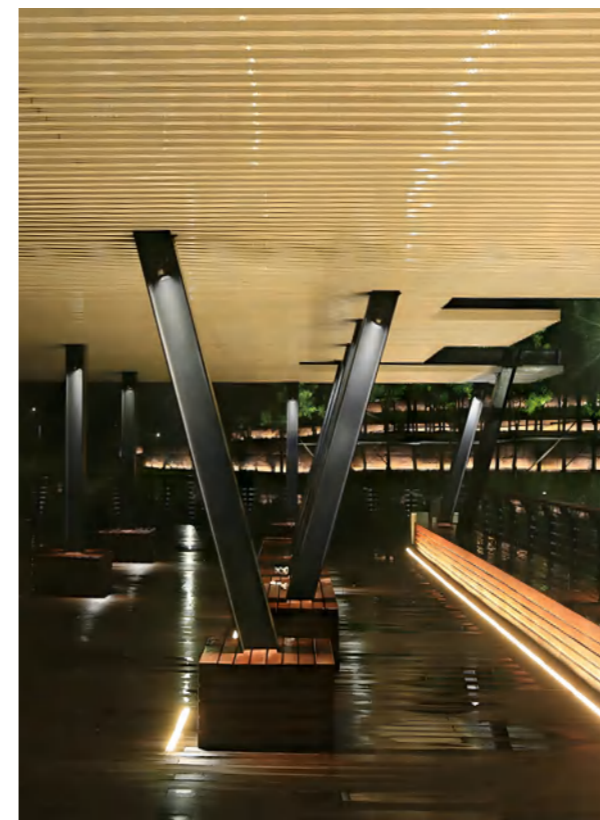
Note:The IP68 rated lamp is applicable for underwater and in-ground usage.

Please refer to pages 283-285 to choose a remote power supply.

Optional Accessory



IP68 rated Waterproof performance	SUS316 Entirely Stainless steel	50000h Long lifetime	2000Kg Static Pressure Loading
-----------------------------------	---------------------------------	----------------------	--------------------------------



Parameters

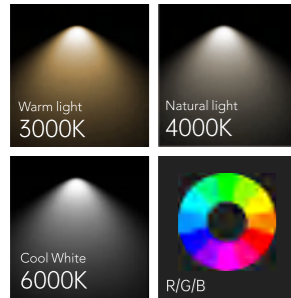
Power(W)	Source flux(lm)	Delivered flux(lm)	Applications	Product Code
1	135	80	Unlimited	G2.0116±01
2	180	110	Unlimited	G2.0116±02
3	300	180	Unlimited	G2.0116±03
4	430	260	Underwater only	G2.0116±04

Filter Structure	Power	Input
Frosted glass	02	1W
Half shaded glass	03	2W
Honeycomb louvre	08	3W
Anti-glare baffle	09	4W

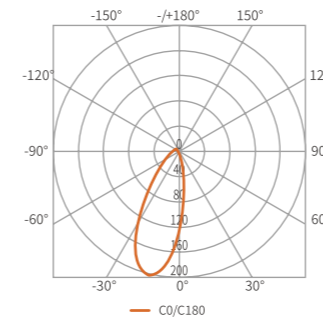
CCT Range	Optics	Controls
3000K	3	20°
4000K	5	30°
6000K	8	45°
		60°

GL116Q

Recessed Pool Underwater Light

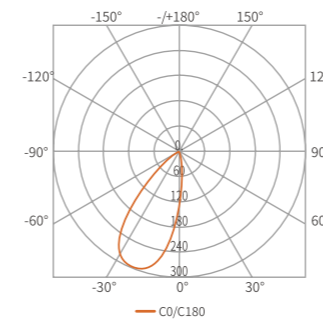


GL116Q 1W 4000K 20X40°

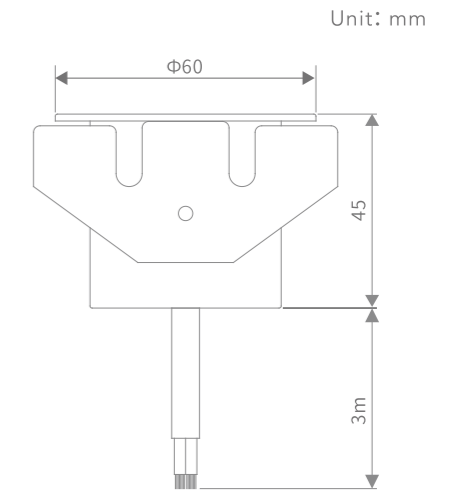


H(m)	Eavg(lx)	Emax(lx)	D(cm)
1	120.7	243.3	41.59
2	30.18	60.83	83.18
3	13.41	27.04	124.76
4	7.544	15.21	166.35
5	4.828	9.733	207.94

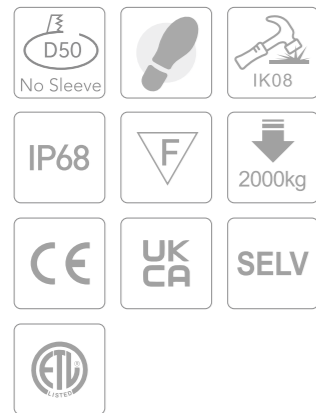
GL116Q 1W 4000K POLARIZED 40°



H(m)	Eavg(lx)	Emax(lx)	D(cm)
1	77.25	145.5	49.71
2	19.31	36.38	99.41
3	8.583	16.17	149.12
4	4.828	9.095	198.83
5	3.09	5.821	248.53



Drill size: D50mm



Frame+body Material: SUS316+SUS316
 Available finishes: Brushed, Polished, Passivated
 Tempered Glass: 6mm ultra-white tempered glass
 LED brand: CREE/OSRAM/NICHIA
 Power Supply: External (CC)/Driver chip on board(CV)
 Installation: Recessed, Ambient temperature -20°C~+45°C
 Cable: Outdoor used rubber cable, 3M length
 Unit Weight: 0.465Kg
 Load Pressure: 2000KG (Static)
 Controls: ON/OFF, DMX, 0/1-10V
 Protection Class: IP68
 Certificate: CE, Rohs, IP, ETL
 (LED)Averaged Lifetime: 50,000hrs

Note:The IP68 rated lamp is applicable for underwater and in-ground usage.
 Please refer to pages 283-285 to choose a remote power supply.

Optional Accessory



IP68 rated Waterproof performance	SUS316 Entirely Stainless steel	50000h Long lifetime	2000Kg Static Pressure Loading
-----------------------------------	---------------------------------	----------------------	--------------------------------



Parameters

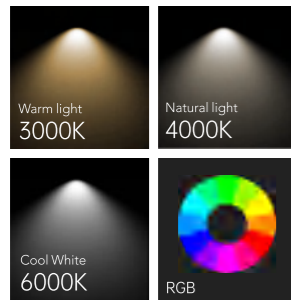
Power(W)	Source flux(lm)	Delivered flux(lm)	Applications	Product Code
1	135	85	Unlimited	G2.0116±01
2	180	115	Unlimited	G2.0116±02
3	300	190	Unlimited	G2.0116±03
4	430	270	Underwater only	G2.0116±04

Filter Structure	Power	Input
Frosted glass 02	1W	01 Constant current
Half shaded glass 03	2W	02 DC12V
Polarized 10	3W	03 DC24V
	4W	04

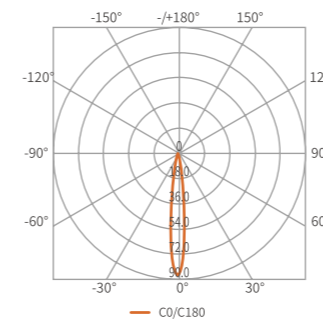
CCT Range	Optics	Controls
3000K	3 Polarized 20*40°	T Constant current
4000K	5 Polarized 40°	U ON/OFF
6000K	8	DMX512
		0/1-10V

GL116SQ

Recessed Pool Underwater Light

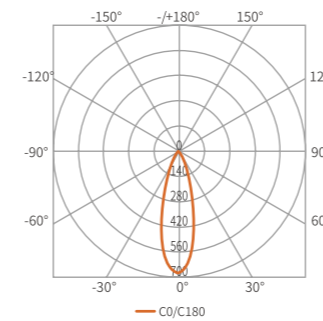


GL116SQ 1W 4000K 12°

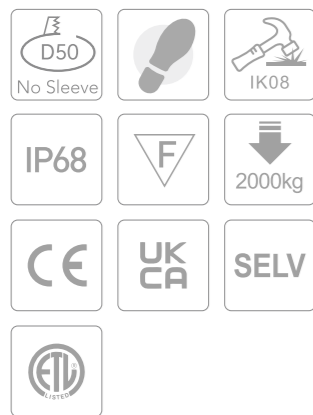
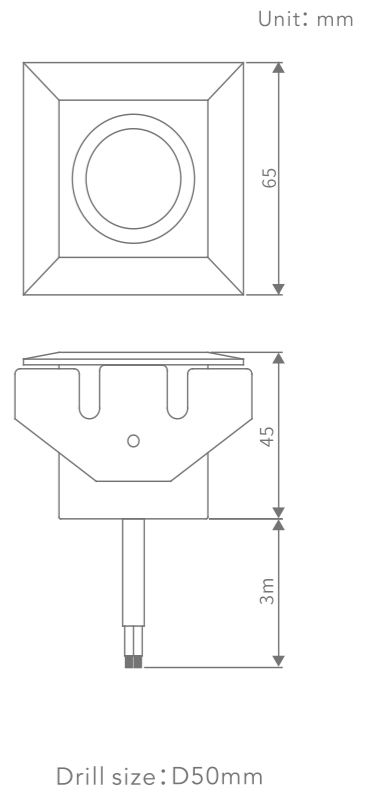


H(m)	Eavg(lx)	Emax(lx)	D(cm)
1	643.6	950.8	19.68
2	160.9	237.7	39.36
3	71.51	105.61	59.05
4	40.22	59.42	78.73
5	25.74	38.03	98.41

GL116SQ 1W 4000K 45°



H(m)	Eavg(lx)	Emax(lx)	D(cm)
1	185.1	271.4	51.81
2	46.28	67.85	103.61
3	20.57	30.15	155.42
4	11.57	16.96	207.23
5	7.405	10.861	259.03



Frame+body Material: SUS316+SUS316
 Available finishes: Brushed, Polished, Passivated
 Tempered Glass: 6mm ultra-white tempered glass
 LED brand: CREE/OSRAM/NICHIA
 Power Supply: External (CC)/Driver chip on board(CV)
 Installation: Recessed, Ambient temperature -20°C~+45°C
 Cable: Outdoor used rubber cable, 3M length
 Unit Weight: 0.49Kg
 Load Pressure: 2000KG (Static)
 Controls: ON/OFF, DMX, 0/1-10V, PWM
 Protection Class: IP68
 Certificate: CE, Rohs, IP, ETL
 (LED)Averaged Lifetime: 50,000hrs

Note:The IP68 rated lamp is applicable for underwater and in-ground usage.
 Please refer to pages 283-285 to choose a remote power supply.

Optional Accessory



IP68 rated Waterproof performance	SUS316 Entirely Stainless steel	50000h Long lifetime	2000Kg Static Pressure Loading
-----------------------------------	---------------------------------	----------------------	--------------------------------



Parameters

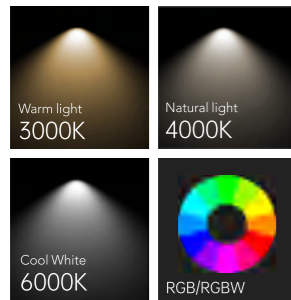
Power(W)	Source flux(lm)	Delivered flux(lm)	Applications	Product Code
1	135	100	Unlimited	G2.0116±01
2	180	130	Unlimited	G2.0116±02
3	300	220	Unlimited	G2.0116±03
4	430	325	Underwater only	G2.0116±04

Filter Structure	Power	Input
Frosted glass 02	1W	Constant current 0
Half shaded glass 03	2W	DC12V 1
Opal plate 06	3W	DC24V 2
Honeycomb louvre 08	4W	04

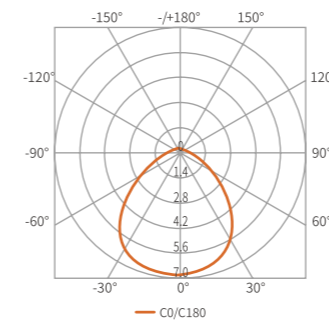
CCT Range	Optics	Controls
3000K 3	12° 1	Constant current 0
4000K 5	45° 5	ON/OFF 1
6000K 8	120° 6	DMX512 2
RGB D		0/1-10V 3
		PWM 6

GL118

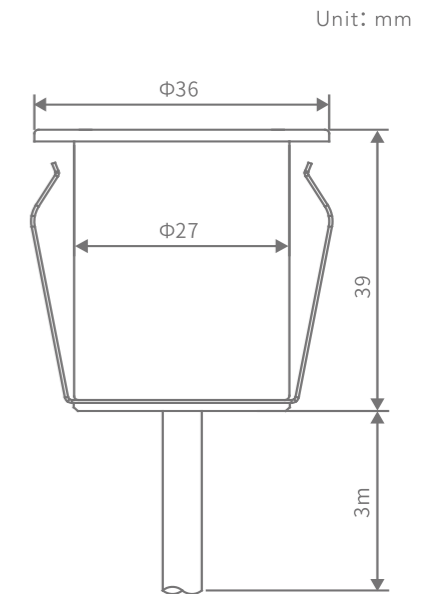
Recessed Pool Underwater Light



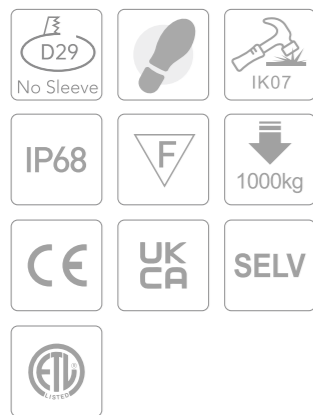
GL118 1W 4000K 120°



H(m)	Eavg(lx)	Emax(lx)	D(cm)
1	2.245	7.195	275.43
2	0.5613	1.799	550.86
3	0.249	0.7995	826.28
4	0.1403	0.4497	1101.71
5	0.0898	0.2878	1377.14



Drill size : D29mm

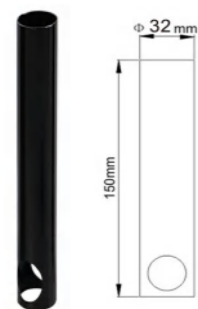


Frame+body Material: SUS316+SUS316
 Available finishes: Brushed, Polished, Passivated
 Tempered Glass: 3mm ultra-white tempered glass
 LED brand: CREE/OSRAM/NICHIA
 Power Supply: External (CC)/Driver chip on board(CV)
 Installation: Recessed, Ambient temperature -20°C~ +45°C
 Cable: Outdoor used rubber cable, 3M length
 Unit Weight: 0.26Kg
 Load Pressure: 1000KG (Static)
 Controls: ON/OFF, DMX, PWM
 Protection Class: IP68
 Certificate: CE, Rohs, IP, ETL
 (LED)Averaged Lifetime: 50,000hrs

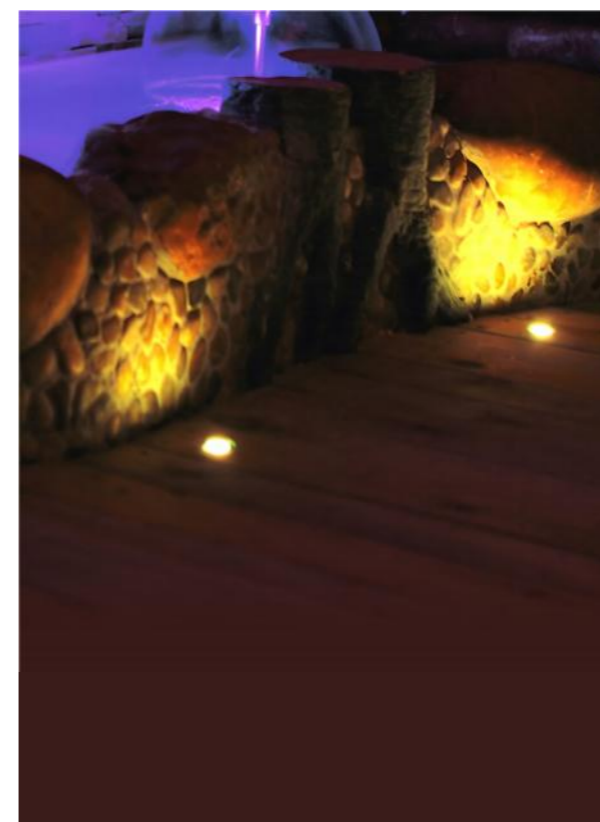
Note:The IP68 rated lamp is applicable for underwater and in-ground usage.

Please refer to pages 283-285 to choose a remote power supply.

Optional Accessory



IP68 rated Waterproof performance	SUS316 Entirely Stainless steel	50000h Long lifetime	1000Kg Static Pressure Loading
-----------------------------------	---------------------------------	----------------------	--------------------------------



Parameters

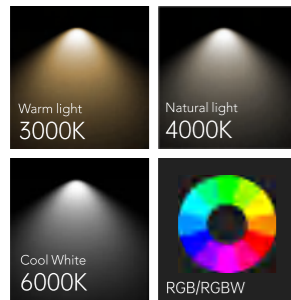
Power(W)	Source flux(lm)	Delivered flux(lm)	Applications	Product Code
1	75	20	Unlimited	G2.0118 ±01 ⚡⚡⚡⚡

Filter Structure	☀	Power	ⓘ	Input	⚡
Regular	01	1W	01	Constant current	0
				DC12V	1
				DC24V	2

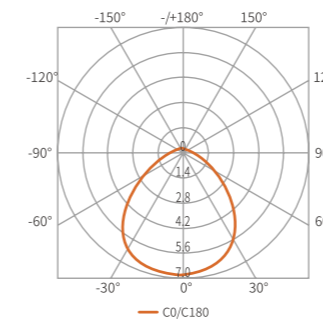
CCT Range	⊞	Optics	📐	Controls	⊙
3000K	3	120°	7	Constant current	0
4000K	5			ON/OFF	1
6000K	8			DMX512	2
RGB	D			PWM	6
RGBW	H				

GL118T

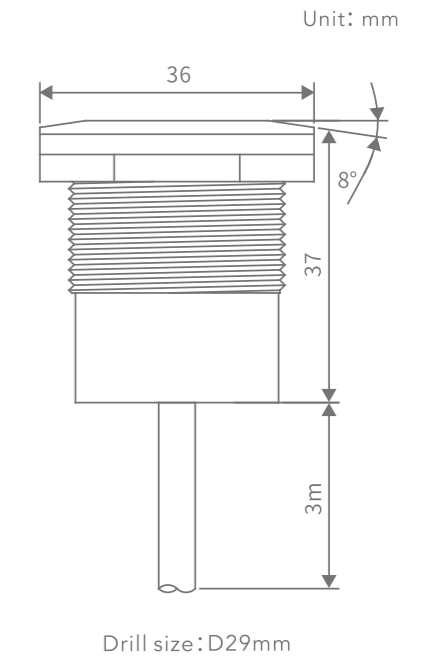
Recessed Pool Underwater Light



GL118T 1W 4000K 120°



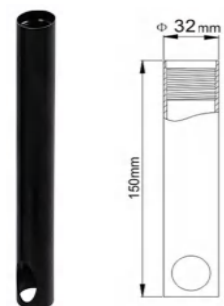
H(m)	Eavg(lx)	Emax(lx)	D(cm)
1	2.245	7.195	275.43
2	0.5613	1.799	550.86
3	0.249	0.7995	826.28
4	0.1403	0.4497	1101.71
5	0.0898	0.2878	1377.14



Frame+body Material: SUS316+SUS316
 Available finishes: Brushed, Polished, Passivated
 Tempered Glass: 3mm ultra-white tempered glass
 LED brand: CREE/OSRAM/NICHIA
 Power Supply: External (CC)/Driver chip on board(CV)
 Installation: Recessed, Ambient temperature -20°C~ +45°C
 Cable: Outdoor used rubber cable, 3M length
 Unit Weight: 0.26Kg
 Load Pressure: 1000KG (Static)
 Controls: ON/OFF, DMX, PWM
 Protection Class: IP68
 Certificate: CE, Rohs, IP, ETL
 (LED)Averaged Lifetime: 50,000hrs

Note:The IP68 rated lamp is applicable for underwater and in-ground usage.
 Please refer to pages 283-285 to choose a remote power supply.

Optional Accessory



IP68 rated Waterproof performance	SUS316 Entirely Stainless steel	50000h Long lifetime	1000Kg Static Pressure Loading
-----------------------------------	---------------------------------	----------------------	--------------------------------



Parameters

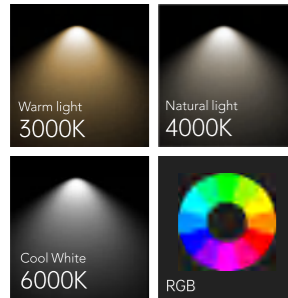
Power(W)	Source flux(lm)	Delivered flux(lm)	Applications	Product Code
1	75	20	Unlimited	G2.0118 ±01

Filter Structure	Power	Input
Regular	01	0
		1
		2

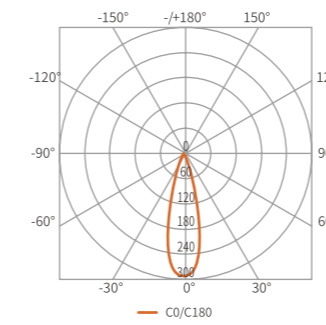
CCT Range	Optics	Controls
3000K	3	0
4000K	5	1
6000K	8	2
RGB	D	PWM
RGBW	H	

GL119

Recessed Pool Underwater Light

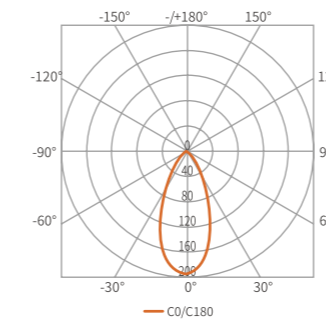


GL119 1W 4000K 20°

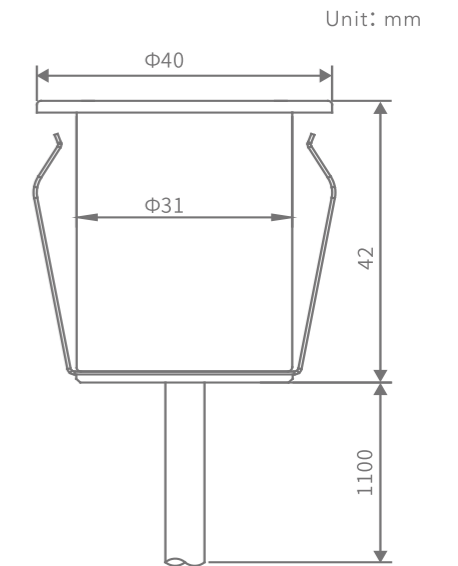


H(m)	Eavg(lx)	Emax(lx)	D(cm)
1	367.1	544.4	33.47
2	91.77	136.11	66.95
3	40.79	60.481	10.42
4	22.94	34.021	133.89
5	14.68	21.77	167.36

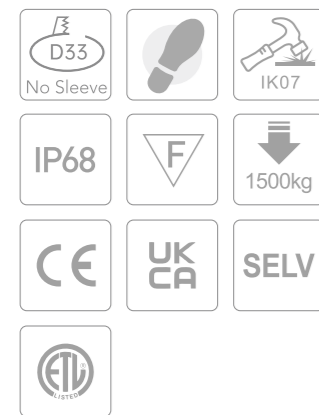
GL119 1W 4000K 60°



H(m)	Eavg(lx)	Emax(lx)	D(cm)
1	97.53	163.21	83.04
2	10.84	18.14	249.13
3	3.901	6.53	415.22
4	1.99	3.332	581.3
5	1.204	2.015	747.39



Drill size: D33mm

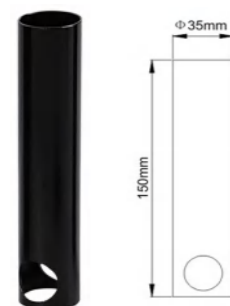


Frame+body Material: SUS316+SUS316
 Available finishes: Brushed, Polished, Passivated
 Tempered Glass: 4mm ultra-white tempered glass
 LED brand: CREE/OSRAM/NICHIA
 Power Supply: External (CC)/Driver chip on board(CV)
 Installation: Recessed, Ambient temperature -20°C~ +45°C
 Cable: Outdoor used rubber cable, 1.1M length
 Unit Weight: 0.14Kg
 Load Pressure: 1500KG (Static)
 Controls: ON/OFF, 0/1-10V, DMX, PWM
 Protection Class: IP68
 Certificate: CE, Rohs, IP, ETL
 (LED)Averaged Lifetime: 50,000hrs

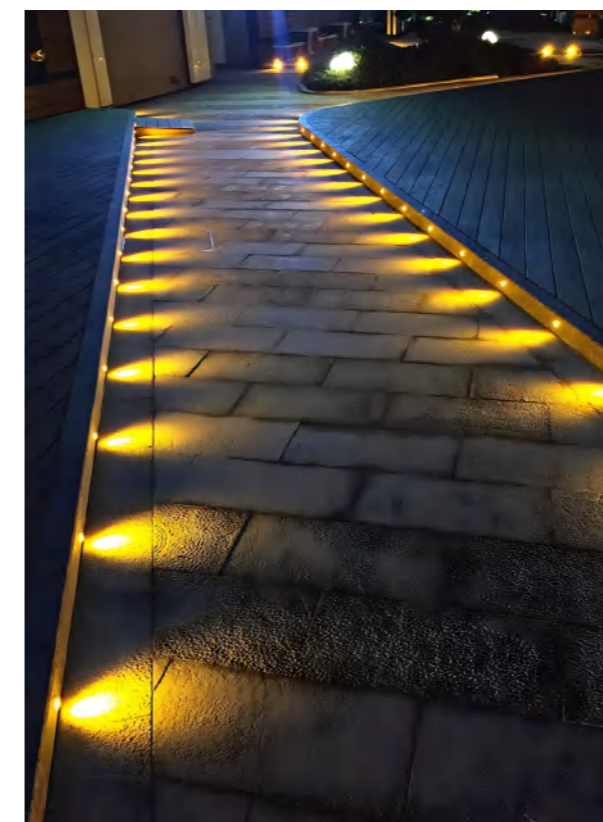
Note: The IP68 rated lamp is applicable for underwater and in-ground usage.

Please refer to pages 283-285 to choose a remote power supply.

Optional Accessory



IP68 rated Waterproof performance	SUS316 Entirely Stainless steel	50000h Long lifetime	1500Kg Static Pressure Loading
-----------------------------------	---------------------------------	----------------------	--------------------------------



Parameters

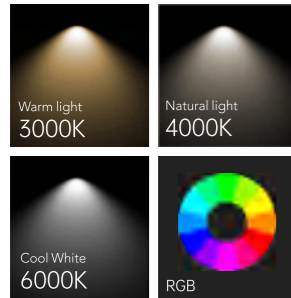
Power(W)	Source flux(lm)	Delivered flux(lm)	Applications	Product Code
1	135	110	Unlimited	G2.0119±01
2	180	135	Unlimited	G2.0119±02
3	300	240	Unlimited	G2.0119±03
4	430	350	Underwater only	G2.0119±04

Filter Structure	Power	Input
Regular	01 1W	01 Constant current
Frosted glass	02 2W	02 DC12V
Half shaded glass	03 3W	03 DC24V
Opal plate	06 4W	04
Honeycomb louvre	08	
Anti-glare baffle	09	

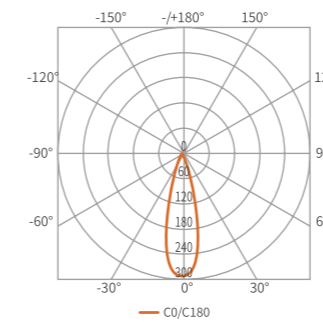
CCT Range	Optics	Controls
3000K	3 20°	3 Constant current
4000K	5 30°	4 ON/OFF
6000K	8 45°	5 DMX512
RGB	D 60°	6 0/1-10V
	120°	7 PWM

GL119T

Recessed Pool Underwater Light

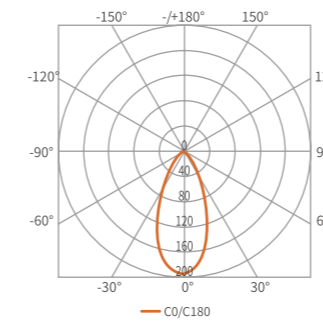


GL119T 1W 4000K 20°

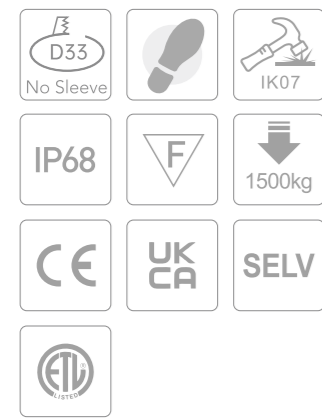
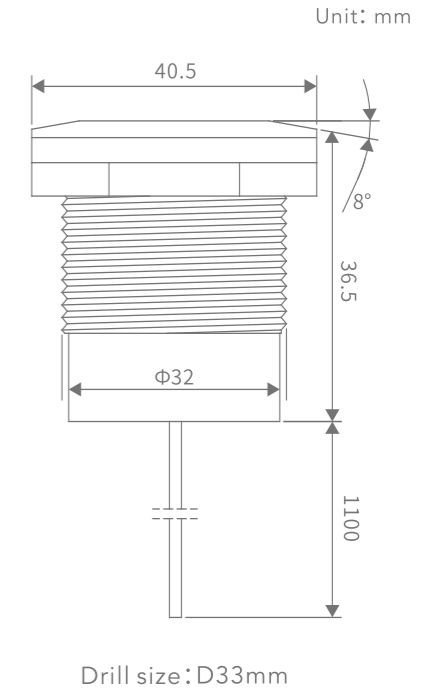


H(m)	Eavg(lx)	Emax(lx)	D(cm)
1	367.1	544.4	33.47
2	91.77	136.11	66.95
3	40.79	60.481	10.42
4	22.94	34.021	133.89
5	14.68	21.77	167.36

GL119T 1W 4000K 60°



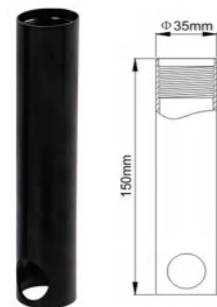
H(m)	Eavg(lx)	Emax(lx)	D(cm)
1	97.53	163.21	83.04
2	10.84	18.14	249.13
3	3.901	6.53	415.22
4	1.99	3.332	581.3
5	1.204	2.015	747.39



Frame+body Material: SUS316+SUS316
 Available finishes: Brushed, Polished, Passivated
 Tempered Glass: 4mm ultra-white tempered glass
 LED brand: CREE/OSRAM/NICHIA
 Power Supply: External (CC)/Driver chip on board(CV)
 Installation: Recessed, Ambient temperature -20°C~ +45°C
 Cable: Outdoor used rubber cable, 1.1M length
 Unit Weight: 0.17Kg
 Load Pressure: 1500KG (Static)
 Controls: ON/OFF, 0/1-10V, DMX, PWM
 Protection Class: IP68
 Certificate: CE, Rohs, IP, ETL
 (LED)Averaged Lifetime: 50,000hrs

Note:The IP68 rated lamp is applicable for underwater and in-ground usage.
 Please refer to pages 283-285 to choose a remote power supply.

Optional Accessory



IP68 rated Waterproof performance	SUS316 Entirely Stainless steel	50000h Long lifetime	1500Kg Static Pressure Loading
-----------------------------------	---------------------------------	----------------------	--------------------------------



Parameters

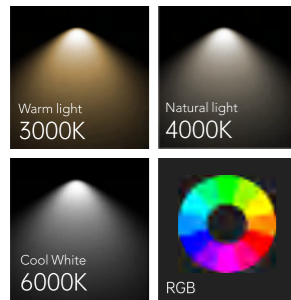
Power(W)	Source flux(lm)	Delivered flux(lm)	Applications	Product Code
1	135	100	Unlimited	G2.0119±01
2	180	130	Unlimited	G2.0119±02
3	300	220	Unlimited	G2.0119±03
4	430	325	Underwater only	G2.0119±04

Filter Structure	Power	Input
Frosted glass 02	1W	01 Constant current
Half shaded glass 03	2W	02 DC12V
Opal plate 06	3W	03 DC24V
Honeycomb louvre 08	4W	04
Anti-glare baffle 09		

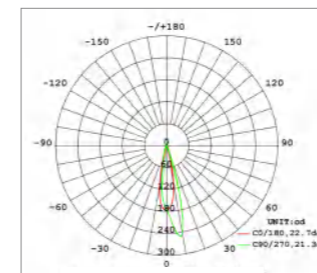
CCT Range	Optics	Controls
3000K	3 20°	3 Constant current
4000K	5 30°	4 ON/OFF
6000K	8 45°	5 DMX512
RGB	D 60°	6 0/1-10V
		7 120° PWM

GL119CT

Recessed Pool Underwater Light

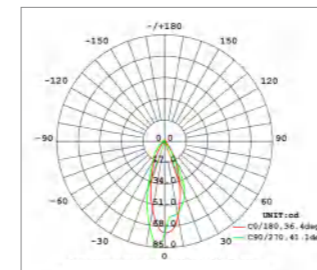


GL119CT 1W 3000K 20°

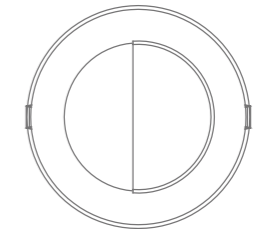
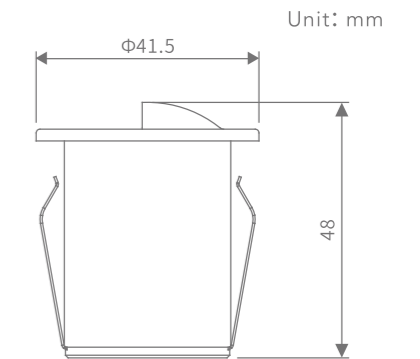


H(m)	Eavg(lx)	Emax(lx)	D(cm)
1	100.7	163.3	45.82
2	37.41	60.69	75.16
3	16.63	26.98	112.74
4	9.353	15.17	150.32
5	5.986	9.711	187.89

GL119CT 1W 3000K 60°



H(m)	Eavg(lx)	Emax(lx)	D(cm)
1	49.74	82.30	65.71
2	12.44	20.57	131.42
3	5.527	9.144	197.13
4	3.109	5.144	262.84
5	1.990	3.292	328.55



Drill size: D33mm



Frame+body Material: SUS316+SUS316
 Available finishes: Brushed, Polished, Passivated
 Tempered Glass: 4mm ultra-white tempered glass
 LED brand: CREE/OSRAM/NICHIA
 Power Supply: External (CC)/Driver chip on board(CV)
 Installation: Recessed, Ambient temperature -20°C~+45°C
 Cable: Outdoor used rubber cable, 1.1M length
 Unit Weight: 0.14Kg
 Controls: ON/OFF, 0/1-10V, DMX, PWM
 Protection Class: IP68
 Certificate: CE, Rohs, IP, ETL
 (LED)Averaged Lifetime: 50,000hrs

Note:The IP68 rated lamp is applicable for underwater and in-ground usage.

Please refer to pages 283-285 to choose a remote power supply.

Optional Accessory



IP68 rated Waterproof performance	SUS316 Entirely Stainless steel	50000h Long lifetime
-----------------------------------	---------------------------------	----------------------



Parameters

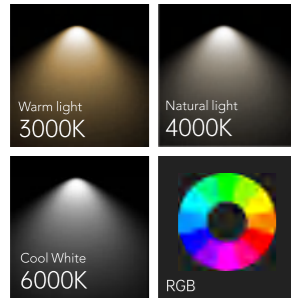
Power(W)	Source flux(lm)	Delivered flux(lm)	Applications	Product Code
1	135	50	Unlimited	G2.0119±01
2	180	67	Unlimited	G2.0119±02
3	300	110	Unlimited	G2.0119±03
4	430	160	Underwater only	G2.0119±04

Filter Structure	Power	Input
Frosted glass 02	1W 01	Constant current 0
Half shaded glass 03	2W 02	DC12V 1
Opal plate 06	3W 03	DC24V 2
	4W 04	

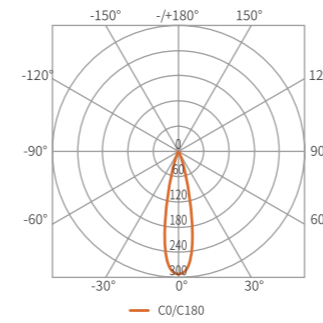
CCT Range	Optics	Controls
3000K 3	20° 3	Constant current 0
4000K 5	30° 4	ON/OFF 1
6000K 8	45° 5	DMX512 2
RGB D	60° 6	0/1-10V 3
	120° 7	PWM 6

GL119SQ

Recessed Pool Underwater Light

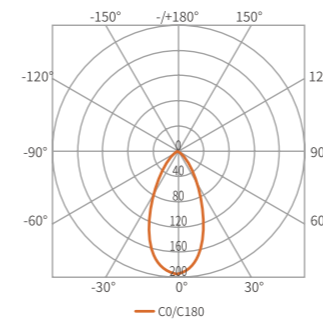


GL119SQ 1W 4000K 20°



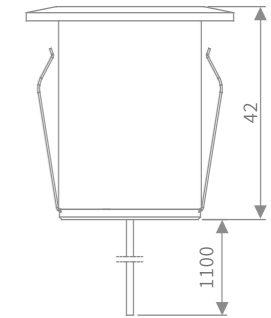
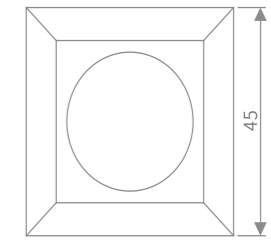
H(m)	Eavg(lx)	Emax(lx)	D(cm)
1	367.1	544.4	33.47
2	91.77	136.11	66.95
3	40.79	60.481	10.42
4	22.94	34.021	133.89
5	14.68	21.77	167.36

GL119SQ 1W 4000K 60°

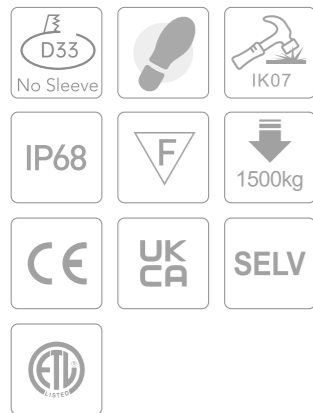


H(m)	Eavg(lx)	Emax(lx)	D(cm)
1	97.53	163.21	83.04
2	10.84	18.14	249.13
3	3.901	6.53	415.22
4	1.99	3.332	581.3
5	1.204	2.015	747.39

Unit: mm



Drill size: D33mm



Frame+body Material: SUS316+SUS316
 Available finishes: Brushed, Polished, Passivated
 Tempered Glass: 4mm ultra-white tempered glass
 LED brand: CREE/OSRAM/NICHIA
 Power Supply: External (CC)/Driver chip on board(CV)
 Installation: Recessed, Ambient temperature -20°C~ +45°C
 Cable: Outdoor used rubber cable, 1.1M length
 Unit Weight: 0.145Kg
 Load Pressure: 1500KG (Static)
 Controls: ON/OFF, 0/1-10V, DMX, PWM
 Protection Class: IP68
 Certificate: CE, Rohs, IP, ETL
 (LED)Averaged Lifetime: 50,000hrs

Note:The IP68 rated lamp is applicable for underwater and in-ground usage.

Please refer to pages 283-285 to choose a remote power supply.

IP68 rated Waterproof performance	SUS316 Entirely Stainless steel	50000h Long lifetime	1500Kg Static Pressure Loading
-----------------------------------	---------------------------------	----------------------	--------------------------------



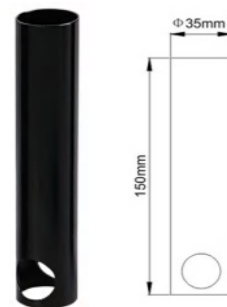
Parameters

Power(W)	Source flux(lm)	Delivered flux(lm)	Applications	Product Code
1	135	100	Unlimited	G2.0119±01
2	180	145	Unlimited	G2.0119±02
3	300	240	Unlimited	G2.0119±03
4	430	350	Underwater only	G2.0119±04

Filter Structure	Power	Input
Frosted glass 02	1W 01	Constant current 0
Half shaded glass 03	2W 02	DC12V 1
Opal plate 06	3W 03	DC24V 2
Honeycomb louvre 08	4W 04	
Anti-glare baffle 09		

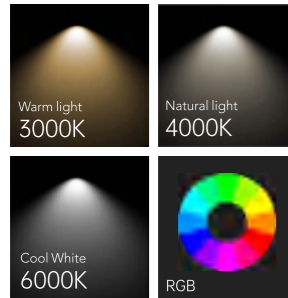
CCT Range	Optics	Controls
3000K 3	20° 3	Constant current 0
4000K 5	30° 4	ON/OFF 1
6000K 8	45° 5	DMX512 2
RGB D	60° 6	0/1-10V 3
	120° 7	PWM 6

Optional Accessory

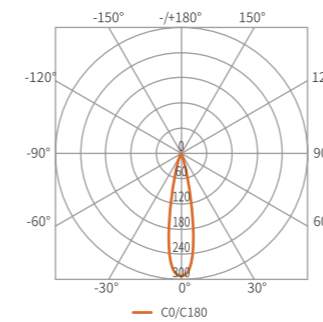


GL129

Recessed Pool Underwater Light

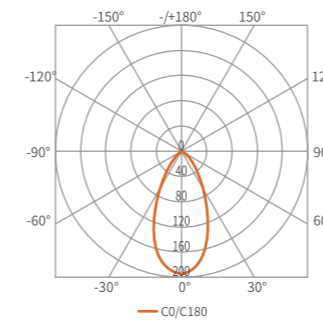


GL129 1W 4000K 20°

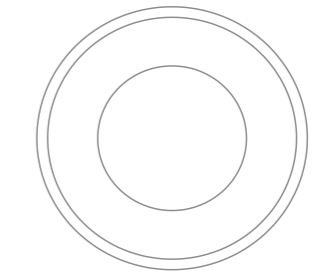
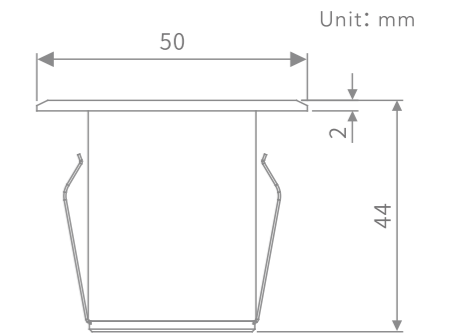


H(m)	Eavg(lx)	Emax(lx)	D(cm)
1	367.1	544.4	33.47
2	91.77	136.11	66.95
3	40.79	60.481	10.42
4	22.94	34.021	133.89
5	14.68	21.77	167.36

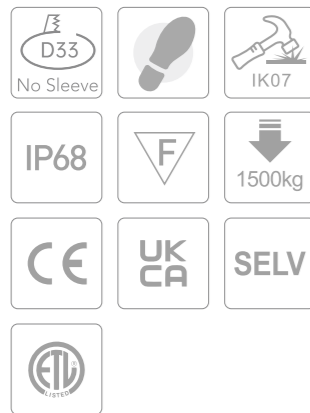
GL129 1W 4000K 60°



H(m)	Eavg(lx)	Emax(lx)	D(cm)
1	97.53	163.21	83.04
2	10.84	18.14	249.13
3	3.901	6.53	415.22
4	1.99	3.332	581.3
5	1.204	2.015	747.39



Drill size: D33mm



Frame+body Material: SUS316+SUS316
 Available finishes: Brushed, Polished, Passivated
 Tempered Glass: 4mm ultra-white tempered glass
 LED brand: CREE/OSRAM/NICHIA
 Power Supply: External (CC)/Driver chip on board(CV)
 Installation: Recessed, Ambient temperature -20°C~ +45°C
 Cable: Outdoor used rubber cable, 1.1M length
 Unit Weight: 0.2Kg
 Load Pressure: 1500KG (Static)
 Controls: ON/OFF, 0/1-10V, DMX, PWM
 Protection Class: IP68
 Certificate: CE, Rohs, IP, ETL
 (LED)Averaged Lifetime: 50,000hrs

Note:The IP68 rated lamp is applicable for underwater and in-ground usage.

Please refer to pages 283-285 to choose a remote power supply.

IP68 rated Waterproof performance	SUS316 Entirely Stainless steel	50000h Long lifetime	1500Kg Static Pressure Loading
-----------------------------------	---------------------------------	----------------------	--------------------------------



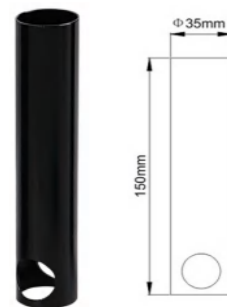
Parameters

Power(W)	Source flux(lm)	Delivered flux(lm)	Applications	Product Code
1	135	110	Unlimited	G2.0129±01
2	180	145	Unlimited	G2.0129±02
3	300	240	Unlimited	G2.0129±03
4	430	350	Underwater only	G2.0129±04

Filter Structure	Power	Input
Regular	01 1W	01 Constant current
Frosted glass	02 2W	02 DC12V
Half shaded glass	03 3W	03 DC24V
Opal plate	06 4W	04
Honeycomb louvre	08	
Anti-glare baffle	09	

CCT Range	Optics	Controls
3000K	3 20°	3 Constant current
4000K	5 30°	4 ON/OFF
6000K	8 45°	5 DMX512
RGB	D 60°	6 0/1-10V
	120°	7 PWM

Optional Accessory

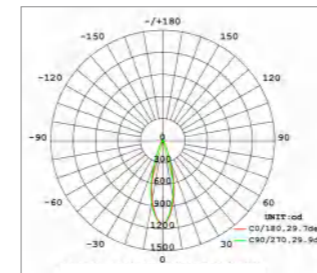


GL140B

Recessed Pool Underwater Light

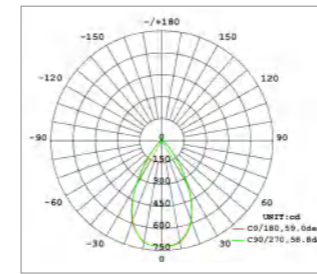


GL140B 5W 4000K 24°

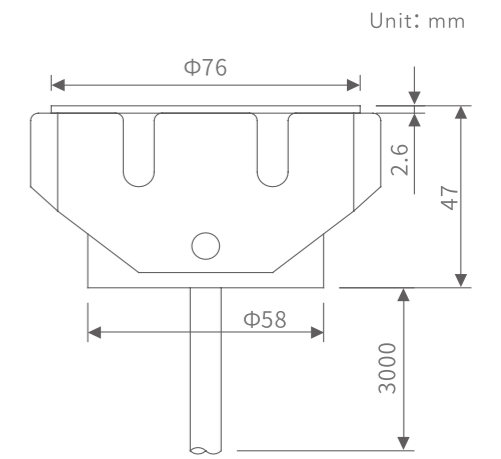


H(m)	Eavg(lx)	Emax(lx)	D(cm)
1	767.4	1128	52.94
2	191.9	282.1	105.89
3	85.27	125.4	158.83
4	47.96	70.52	211.78
5	30.70	45.14	264.72

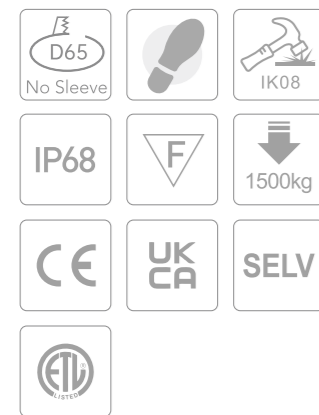
GL140B 5W 4000K 60°



H(m)	Eavg(lx)	Emax(lx)	D(cm)
1	443.6	720.5	112.66
2	110.9	180.1	225.33
3	49.29	80.05	337.99
4	27.72	45.03	450.66
5	17.74	28.82	563.32



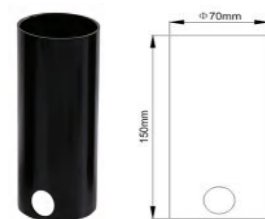
Drill size: D65mm



Frame+body Material: SUS316+SUS316
 Available finishes: Brushed, Polished, Passivated
 Tempered Glass: 6mm ultra-white tempered glass
 LED brand: CREE/OSRAM/NICHIA
 Power Supply: External (CC)/Driver chip on board(CV)
 Installation: Recessed, Ambient temperature -20°C~+45°C
 Cable: Outdoor used rubber cable, 3M length
 Unit Weight: 0.68Kg
 Load Pressure: 1500KG (Static)
 Controls: ON/OFF, 0/1-10V, DMX, PWM
 Protection Class: IP68
 Certificate: CE, Rohs, IP, ETL
 (LED)Averaged Lifetime: 50,000hrs

Note:The IP68 rated lamp is applicable for underwater and in-ground usage.
 Please refer to pages 283-285 to choose a remote power supply.

Optional Accessory



IP68 rated Waterproof performance	SUS316 Entirely Stainless steel	50000h Long lifetime	1500Kg Static Pressure Loading
-----------------------------------	---------------------------------	----------------------	--------------------------------



Parameters

Power(W)	Source flux(lm)	Delivered flux(lm)	Applications	Product Code
3	450	345	Unlimited	G2.0140 ±03 ⚡ ⚡ ⚡ ⚡
5	670	525	Unlimited	G2.0140 ±05 ⚡ ⚡ ⚡ ⚡
6	800	620	Underwater only	G2.0140 ±06 ⚡ ⚡ ⚡ ⚡
9	1100	810	Underwater only	G2.0140 ±09 ⚡ ⚡ ⚡ ⚡

Filter Structure	☀	Power	①	Input	⚡
Frosted glass	02	3W	03	Constant current	0
Half shaded glass	03	5W	05	DC12V	1
Anti-glare baffle	09	6W	06	DC24V	2
COB LED	25	9W	09		

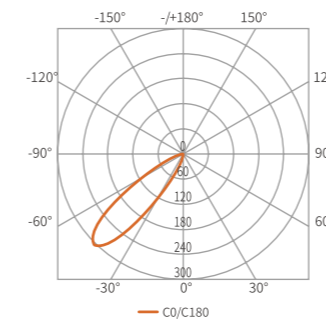
CCT Range	☀	Optics	📐	Controls	⊙
3000K	3	15°	2	Constant current	0
4000K	5	24°	Q	ON/OFF	1
6000K	8	36°	E	DMX512	2
		60°	6	0/1-10V	3
				PWM	6

GL140BP

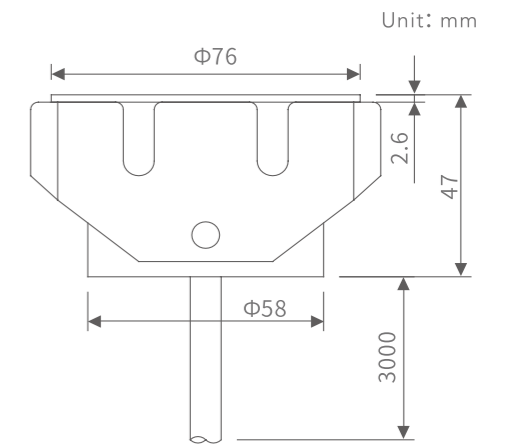
Recessed Pool Underwater Light



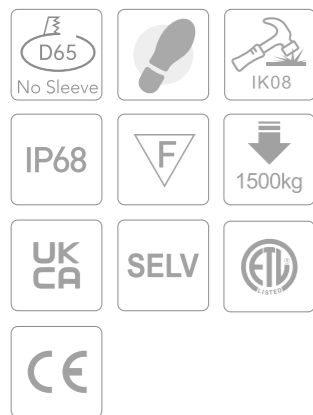
GL140BP 5W 4000K Polarized 30°



H(m)	Eavg(lx)	Emax(lx)	D(cm)
1	150.4	346.5	71.84
2	37.61	86.62	143.69
3	16.71	38.5	215.53
4	9.402	1.65	287.38
5	6.017	13.861	359.22



Drill size: D65mm



Frame+body Material: SUS316+SUS316
 Available finishes: Brushed, Polished, Passivated
 Tempered Glass: 6mm ultra-white tempered glass
 LED brand: CREE/OSRAM/NICHIA
 Power Supply: External (CC)/Driver chip on board(CV)
 Installation: Recessed, Ambient temperature -20°C~ +45°C
 Cable: Outdoor used rubber cable, 3M length
 Unit Weight: 0.68Kg
 Load Pressure: 1500KG (Static)
 Controls: ON/OFF, 0/1-10V, DMX, PWM
 Protection Class: IP68
 Certificate: CE, Rohs, IP, ETL
 (LED)Averaged Lifetime: 50,000hrs

Note:The IP68 rated lamp is applicable for underwater and in-ground usage.

Please refer to pages 283-285 to choose a remote power supply.

Optional Accessory



IP68 rated Waterproof performance	SUS316 Entirely Stainless steel	50000h Long lifetime	1500Kg Static Pressure Loading
-----------------------------------	---------------------------------	----------------------	--------------------------------



Parameters

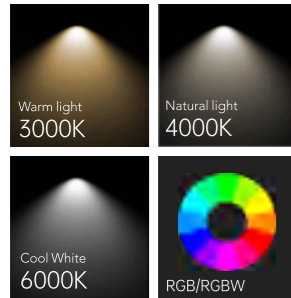
Power(W)	Source flux(lm)	Delivered flux(lm)	Applications	Product Code
3	450	345	Unlimited	G2.0140 ±03 ⚡⚡⚡⚡⚡
5	670	525	Unlimited	G2.0140 ±05 ⚡⚡⚡⚡⚡
6	800	620	Underwater only	G2.0140 ±06 ⚡⚡⚡⚡⚡
9	1100	810	Underwater only	G2.0140 ±09 ⚡⚡⚡⚡⚡

Filter Structure	☀️	Power	Ⓜ️	Input	⚡
Frosted glass	02	3W	03	Constant current	0
Half shaded glass	03	5W	05	DC12V	1
Anti-glare baffle	09	6W	06	DC24V	2
Polarized	15	9W	09		

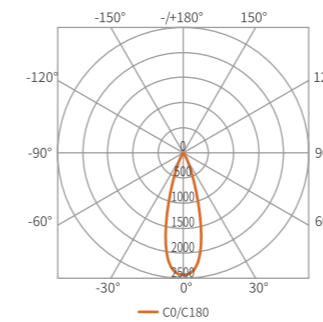
CCT Range	☀️	Optics	🏠	Controls	Ⓜ️
3000K	3	Polarized 5°	A	Constant current	0
4000K	5	Polarized 20°	3	ON/OFF	1
6000K	8	Polarized 30°	4	DMX512	2
				0/1-10V	3
				PWM	6

GL140

Recessed Pool Underwater Light

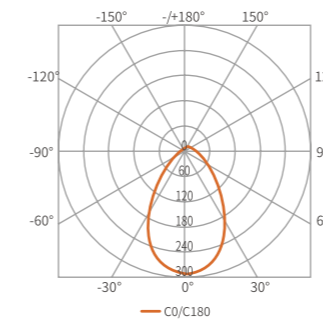


GL140 3W 4000K 20°

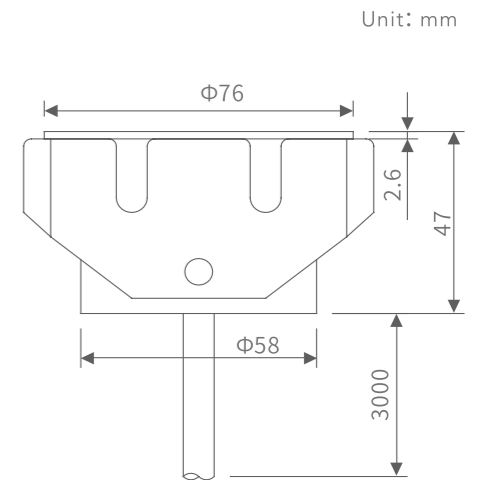


H(m)	Eavg(lx)	Emax(lx)	D(cm)
1	1660	2488	25.69
2	414.9	622	51.39
3	184.4	276.4	77.08
4	103.7	155.5	102.78
5	66.39	99.52	128.47

GL140 3W 4000K 60°

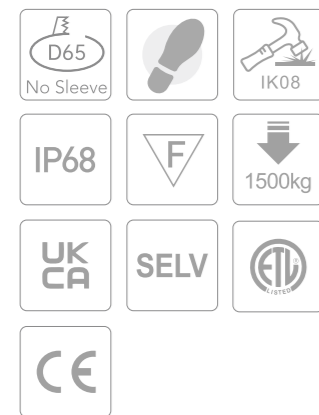


H(m)	Eavg(lx)	Emax(lx)	D(cm)
1	185.4	281	84.83
2	46.35	70.25	169.66
3	20.6	31.22	254.49
4	11.59	17.56	339.32
5	7.415	11.24	424.15



Drill size: D65mm

Unit: mm



Frame+body Material: SUS316+SUS316
 Available finishes: Brushed, Polished, Passivated
 Tempered Glass: 6mm ultra-white tempered glass
 LED brand: CREE/OSRAM/NICHIA
 Power Supply: External (CC)/Driver chip on board(CV)
 Installation: Recessed, Ambient temperature -20°C~+45°C
 Cable: Outdoor used rubber cable, 3M length
 Unit Weight: 0.68Kg
 Load Pressure: 1500KG (Static)
 Controls: ON/OFF, 0/1-10V, DMX, PWM
 Protection Class: IP68
 Certificate: CE, Rohs, IP, ETL
 (LED)Averaged Lifetime: 50,000hrs

Note:The IP68 rated lamp is applicable for underwater and in-ground usage.

Please refer to pages 283-285 to choose a remote power supply.

Optional Accessory



IP68 rated Waterproof performance	SUS316 Entirely Stainless steel	50000h Long lifetime	1500Kg Static Pressure Loading
-----------------------------------	---------------------------------	----------------------	--------------------------------



Parameters

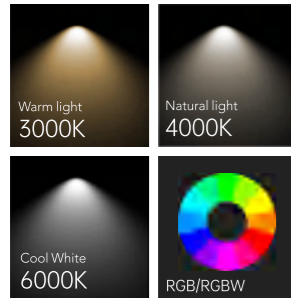
Power(W)	Source flux(lm)	Delivered flux(lm)	Applications	Product Code
3	450	345	Unlimited	G2.0140 ±03
5	670	525	Unlimited	G2.0140 ±05
6	800	620	Underwater only	G2.0140 ±06
9	1100	810	Underwater only	G2.0140 ±09

Filter Structure	Power	Input
Regular	01 3W	03 Constant current
Frosted glass	02 5W	05 DC12V
Opal plate	06 6W	06 DC24V
Honeycomb louvre	08 9W	09

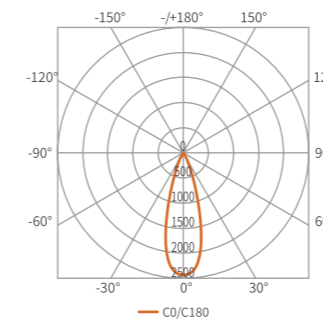
CCT Range	Optics	Controls
3000K	3 20°	3 Constant current
4000K	5 30°	4 ON/OFF
6000K	8 45°	5 DMX512
RGB	D 60°	6 0/1-10V
RGBW	H 120°	7 PWM

GL140SQ

Recessed Pool Underwater Light

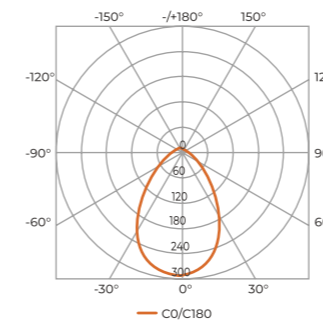


GL140SQ 3W 4000K 20°



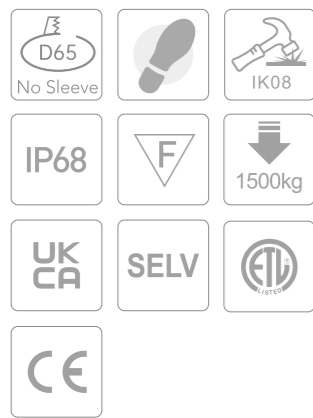
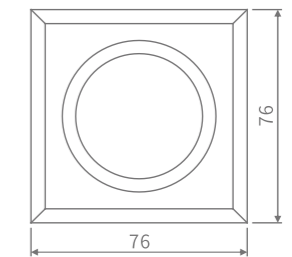
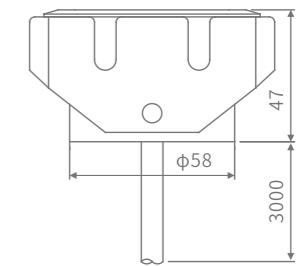
H(m)	Eavg(lx)	Emax(lx)	D(cm)
1	1660	2488	25.69
2	414.9	622	51.39
3	184.4	276.4	77.08
4	103.7	155.5	102.78
5	66.39	99.52	128.47

GL140SQ 3W 4000K 60°



H(m)	Eavg(lx)	Emax(lx)	D(cm)
1	185.4	281	84.83
2	46.35	70.25	169.66
3	20.6	31.22	254.49
4	11.59	17.56	339.32
5	7.415	11.24	424.15

Unit: mm



Frame+body Material: SUS316+SUS316
 Available finishes: Brushed, Polished, Passivated
 Tempered Glass: 6mm ultra-white tempered glass
 LED brand: CREE/OSRAM/NICHIA
 Power Supply: External (CC)/Driver chip on board(CV)
 Installation: Recessed, Ambient temperature -20°C~+45°C
 Cable: Outdoor used rubber cable, 3M length
 Unit Weight: 0.68Kg
 Load Pressure: 1500KG (Static)
 Controls: ON/OFF, 0/1-10V, DMX, PWM
 Protection Class: IP68
 Certificate: CE, Rohs, IP, ETL
 (LED)Averaged Lifetime: 50,000hrs

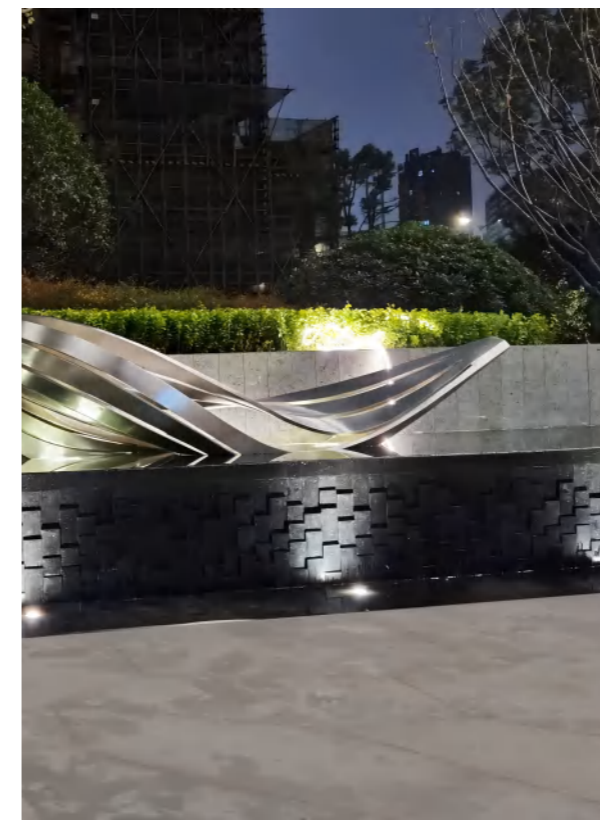
Note:The IP68 rated lamp is applicable for underwater and in-ground usage.

Please refer to pages 283-285 to choose a remote power supply.

Optional Accessory



IP68 rated Waterproof performance	SUS316 Entirely Stainless steel	50000h Long lifetime	1500Kg Static Pressure Loading
-----------------------------------	---------------------------------	----------------------	--------------------------------



Parameters

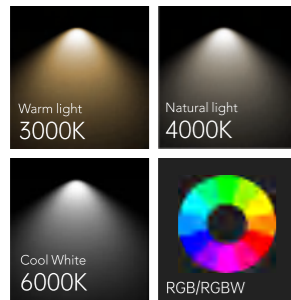
Power(W)	Source flux(lm)	Delivered flux(lm)	Applications	Product Code
3	450	345	Unlimited	G2.0140 ±03 ⚡⚡⚡⚡⚡
5	670	525	Unlimited	G2.0140 ±05 ⚡⚡⚡⚡⚡
6	800	620	Underwater only	G2.0140 ±06 ⚡⚡⚡⚡⚡
9	1100	810	Underwater only	G2.0140 ±09 ⚡⚡⚡⚡⚡

Filter Structure	☀️	Power	①	Input	⚡
Regular	01	3W	03	Constant current	0
Frosted glass	02	5W	05	DC12V	1
Opal plate	06	6W	06	DC24V	2
Honeycomb louvre	08	9W	09		

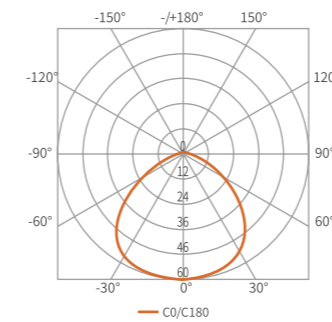
CCT Range	⊗	Optics	🏠	Controls	⊕
3000K	3	20°	3	Constant current	0
4000K	5	30°	4	ON/OFF	1
6000K	8	45°	5	DMX512	2
RGB	D	60°	6	0/1-10V	3
RGBW	H	120°	7	PWM	6

GL150

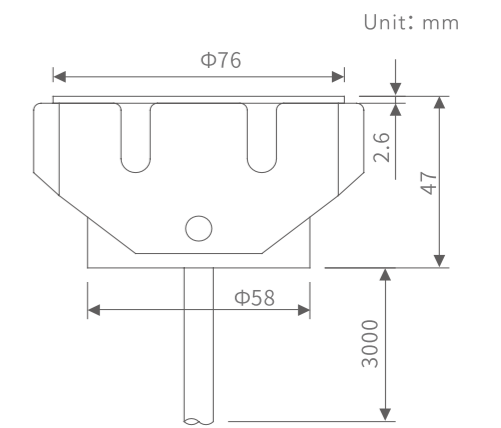
Recessed Pool Underwater Light



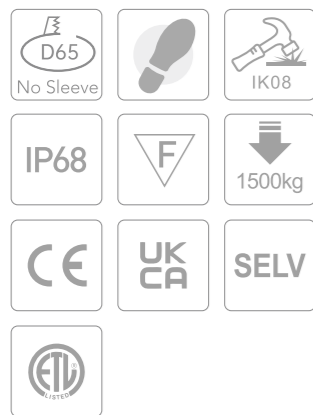
GL150 3W 4000K 120°



H(m)	Eavg(lx)	Emax(lx)	D(cm)
1	28.25	85.07	258.77
2	7.0621	21.27	517.55
3	3.139	9.452	776.32
4	1.765	5.317	1035.09
5	1.13	3.403	1293.86



Drill size: D65mm



Frame+body Material: SUS316+SUS316
 Available finishes: Brushed, Polished, Passivated
 Tempered Glass: 6mm ultra-white tempered glass
 LED brand: CREE/OSRAM/NICHIA
 Power Supply: External (CC)/Driver chip on board(CV)
 Installation: Recessed, Ambient temperature -20°C~+45°C
 Cable: Outdoor used rubber cable, 3M length
 Unit Weight: 0.635Kg
 Load Pressure: 1500KG (Static)
 Controls: ON/OFF, 0/1-10V, DMX, PWM
 Protection Class: IP68
 Certificate: CE, Rohs, IP, ETL
 (LED)Averaged Lifetime: 50,000hrs

Note:The IP68 rated lamp is applicable for underwater and in-ground usage.

Please refer to pages 283-285 to choose a remote power supply.

Optional Accessory



IP68 rated Waterproof performance	SUS316 Entirely Stainless steel	50000h Long lifetime	1500Kg Static Pressure Loading
-----------------------------------	---------------------------------	----------------------	--------------------------------



Parameters

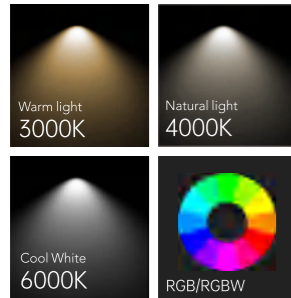
Power(W)	Source flux(lm)	Delivered flux(lm)	Applications	Product Code
3	450	345	Unlimited	G2.0150 ±03 ⚡⚡⚡⚡⚡
5	670	525	Unlimited	G2.0150 ±05 ⚡⚡⚡⚡⚡
6	800	620	Underwater only	G2.0150 ±06 ⚡⚡⚡⚡⚡
9	1100	810	Underwater only	G2.0150 ±09 ⚡⚡⚡⚡⚡

Filter Structure	☀️	Power	Ⓜ️	Input	⚡
Frosted glass	02	3W	03	Constant current	0
Opal plate	06	5W	05	DC12V	1
		6W	06	DC24V	2
		9W	09		

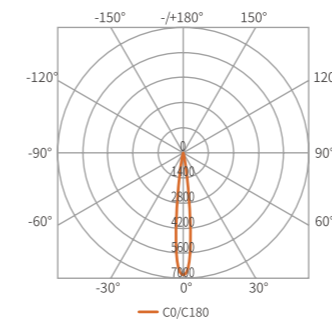
CCT Range	⚙️	Optics	📐	Controls	⊕
3000K	3	120°	7	Constant current	0
4000K	5			ON/OFF	1
6000K	8			DMX512	2
RGB	D			0/1-10V	3
RGBW	H			PWM	6

GL166

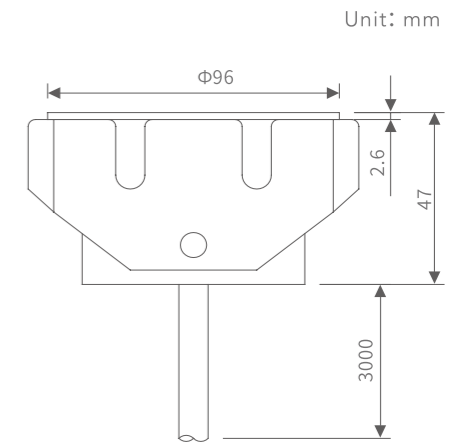
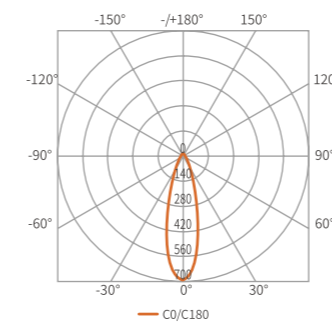
Recessed Pool Underwater Light



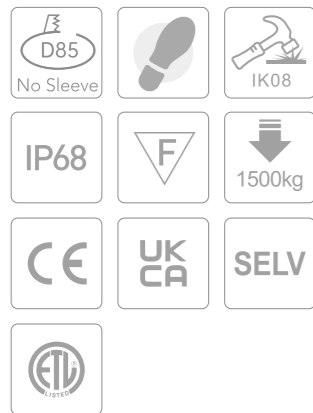
GL166 6W 4000K 10°



GL166 6W 4000K 40°



Drill size: D85mm

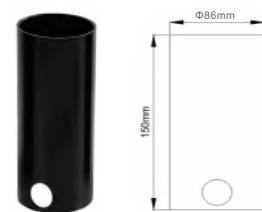


Frame+body Material: SUS316+SUS316
 Available finishes: Brushed, Polished, Passivated
 Tempered Glass: 8mm ultra-white tempered glass
 LED brand: CREE/OSRAM/NICHIA
 Power Supply: External (CC)/Driver chip on board(CV)
 Installation: Recessed, Ambient temperature -20°C~ +45°C
 Cable: Outdoor used rubber cable, 3M length
 Unit Weight: 0.94Kg
 Load Pressure: 1500KG (Static)
 Controls: ON/OFF, 0/1-10V, DMX, PWM
 Protection Class: IP68
 Certificate: CE, Rohs, IP, ETL
 (LED)Averaged Lifetime: 50,000hrs

Note:The IP68 rated lamp is applicable for underwater and in-ground usage.

Please refer to pages 283-285 to choose a remote power supply.

Optional Accessory



IP68 rated Waterproof performance	SUS316 Entirely Stainless steel	50000h Long lifetime	1500Kg Static Pressure Loading
-----------------------------------	---------------------------------	----------------------	--------------------------------



Parameters

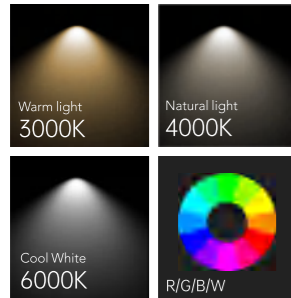
Power(W)	Source flux(lm)	Delivered flux(lm)	Applications	Product Code
6	450	345	Unlimited	G2.0166 ±06
9	670	525	Unlimited	G2.0166 ±09
12	800	620	Underwater only	G2.0166 ±12

Filter Structure	☀	Power	①	Input	⚡
Regular	01	6W	06	Constant current	0
Frosted glass	02	9W	09	DC12V	1
Opal plate	06	12W	12	DC24V	2

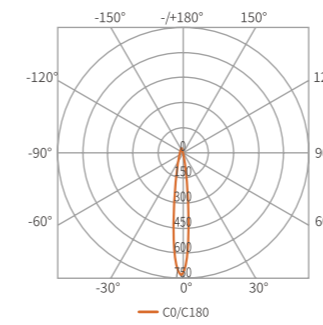
CCT Range	☼	Optics	📐	Controls	⊙
3000K	3	10°	1	Constant current	0
4000K	5	40°	C	ON/OFF	1
6000K	8	120°	7	DMX512	2
RGB	D			0/1-10V	3
RGBW	H			PWM	6

GL168

Recessed Pool Underwater Light

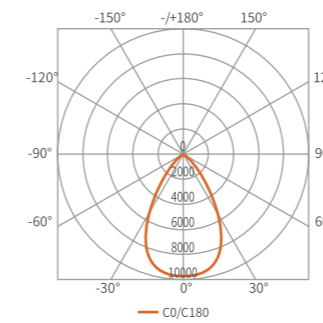


GL168 8W 4000K 10°



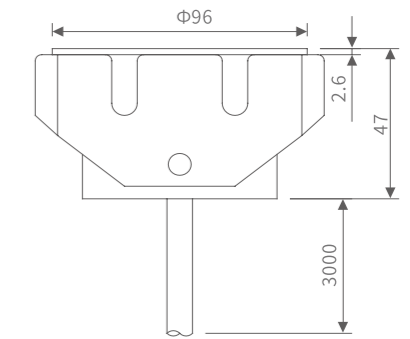
H(m)	Eavg(lx)	Emax(lx)	D(cm)
1	6353	9737	21.34
2	1588	2434	42.68
3	705.8	1082	64.02
4	397	608.61	85.36
5	254.1	389.5	106.7

GL168 8W 4000K 40°

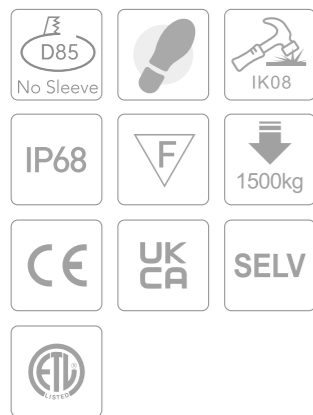


H(m)	Eavg(lx)	Emax(lx)	D(cm)
1	473.3	721.1	67.49
2	118.3	180.3	134.99
3	52.59	80.12	202.48
4	29.58	45.07	269.98
5	18.93	28.84	337.47

Unit: mm



Drill size: D85mm

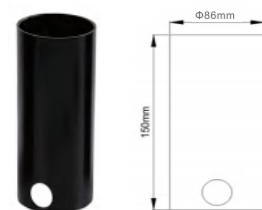


Frame+body Material: SUS316+SUS316
 Available finishes: Brushed, Polished, Passivated
 Tempered Glass: 8mm ultra-white tempered glass
 LED brand: CREE/OSRAM/NICHIA
 Power Supply: External (CC)/Driver chip on board(CV)
 Installation: Recessed, Ambient temperature -20°C~ +45°C
 Cable: Outdoor used rubber cable, 3M length
 Unit Weight: 0.94Kg
 Load Pressure: 1500KG (Static)
 Controls: ON/OFF, 0/1-10V, DMX, PWM
 Protection Class: IP68
 Certificate: CE, Rohs, IP, ETL
 (LED)Averaged Lifetime: 50,000hrs

Note:The IP68 rated lamp is applicable for underwater and in-ground usage.

Please refer to pages 283-285 to choose a remote power supply.

Optional Accessory



IP68 rated Waterproof performance	SUS316 Entirely Stainless steel	50000h Long lifetime	1500Kg Static Pressure Loading
-----------------------------------	---------------------------------	----------------------	--------------------------------



Parameters

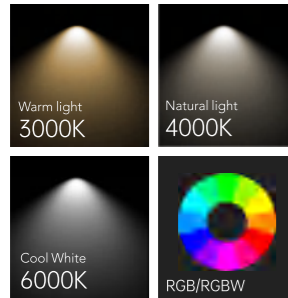
Power(W)	Source flux(lm)	Delivered flux(lm)	Applications	Product Code
8	1050	880	Unlimited	G2.0168 ± 08 ⚡ ⚡ ⚡ ⚡
12	1350	1120	Underwater only	G2.0168 ± 12 ⚡ ⚡ ⚡ ⚡

Filter Structure	☀	Power	Ⓜ	Input	⚡
Regular	01	8W	08	Constant current	0
Frosted glass	02	12W	12	DC24V	2
Opal plate	06				

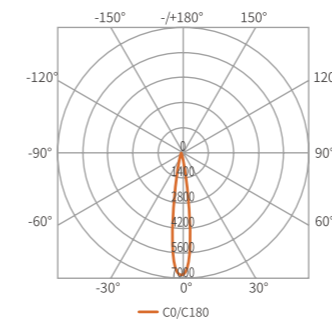
CCT Range	⚙	Optics	📐	Controls	⊙
3000K	3	10°	1	Constant current	0
4000K	5	40°	C	ON/OFF	1
6000K	8	120°	7	DMX512	2
RGB	D			0/1-10V	3
RGBW	H			PWM	6

GL266

Surface mounted Pool Underwater Light

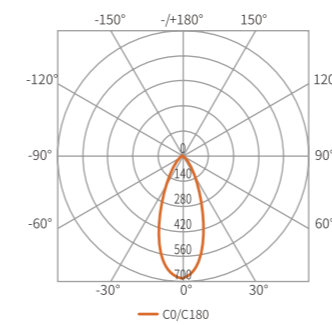


GL266 6W 4000K 10°



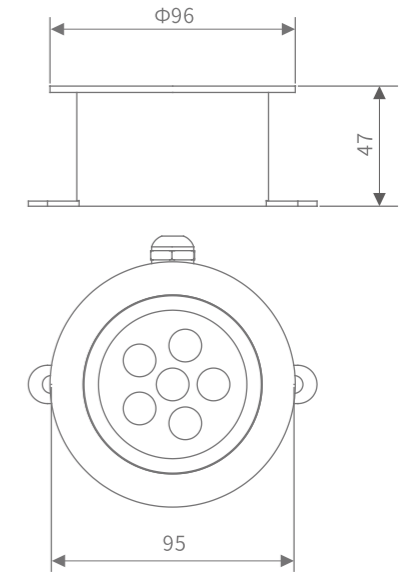
H(m)	Eavg(lx)	Emax(lx)	D(cm)
1	5001	6830	20.72
2	1250	1708	41.44
3	555.7	758.9	62.17
4	312.6	426.9	82.89
5	200	273.2	103.61

GL266 6W 4000K 40°



H(m)	Eavg(lx)	Emax(lx)	D(cm)
1	440.3	674.7	68.82
2	110.1	168.7	137.64
3	48.92	74.97	206.46
4	27.52	42.17	275.28
5	17.61	26.99	344.1

Unit: mm

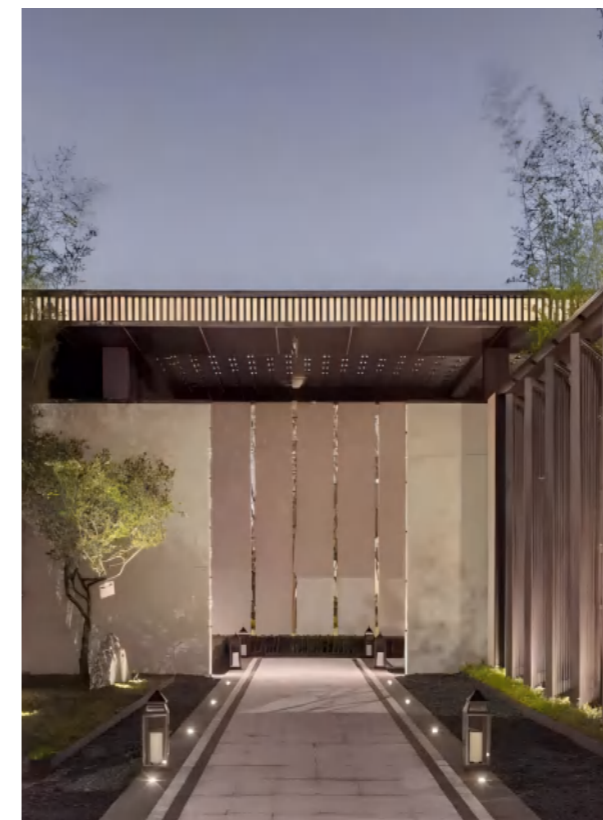


Frame+body Material: SUS316+SUS316
 Available finishes: Brushed, Polished, Passivated
 Tempered Glass: 8mm ultra-white tempered glass
 LED brand: CREE/OSRAM/NICHIA
 Power Supply: External (CC)/Driver chip on board(CV)
 Installation: Surface mounted, Ambient temperature -20°C~+45°C
 Cable: Outdoor used rubber cable, 3M length
 Unit Weight: 0.94Kg
 Load Pressure: 1500KG (Static)
 Controls: ON/OFF, 0/1-10V, DMX, PWM
 Protection Class: IP68
 Certificate: CE, Rohs, IP, ETL
 (LED)Averaged Lifetime: 50,000hrs

Note:The IP68 rated lamp is applicable for underwater and in-ground usage.

Please refer to pages 283-285 to choose a remote power supply.

IP68 rated Waterproof performance	SUS316 Entirely Stainless steel	50000h Long lifetime	1500Kg Static Pressure Loading
-----------------------------------	---------------------------------	----------------------	--------------------------------



Parameters

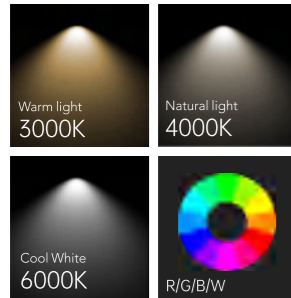
Power(W)	Source flux(lm)	Delivered flux(lm)	Applications	Product Code
6	770	650	Unlimited	G2.0266 ±06 ⚡ ⚡ ⚡ ⚡
9	1100	920	Unlimited	G2.0266 ±09 ⚡ ⚡ ⚡ ⚡
12	1550	1300	Underwater only	G2.0266 ±12 ⚡ ⚡ ⚡ ⚡

Filter Structure	☀	Power	①	Input	⚡
Regular	01	6W	06	Constant current	0
Frosted glass	02	9W	09	DC12V	1
Opal plate	06	12W	12	DC24V	2

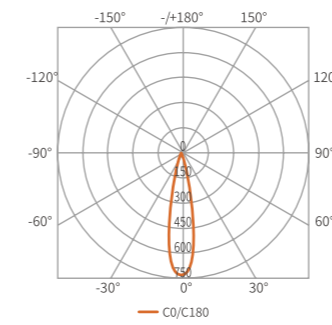
CCT Range	⊗	Optics	📐	Controls	⊙
3000K	3	10°	1	Constant current	0
4000K	5	40°	C	ON/OFF	1
6000K	8	120°	7	DMX512	2
RGB	D			0/1-10V	3
RGBW	H			PWM	6

GL268

Surface mounted Pool Underwater Light

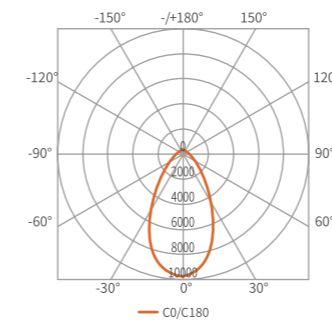


GL268 8W 4000K 10°



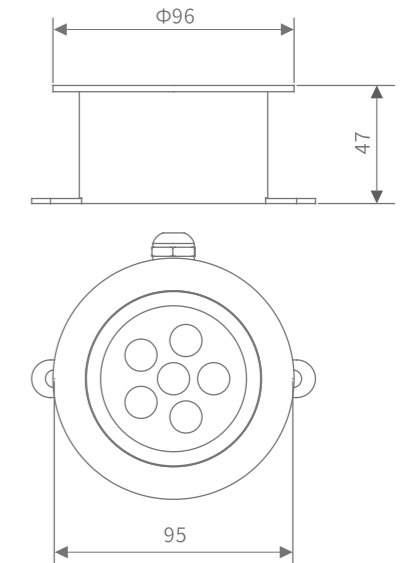
H(m)	Eavg(lx)	Emax(lx)	D(cm)
1	6353	9737	21.34
2	1588	2434	42.68
3	705.8	1082	64.02
4	397	608.61	85.36
5	254.1	389.5	106.7

GL268 8W 4000K 40°



H(m)	Eavg(lx)	Emax(lx)	D(cm)
1	473.3	721.1	67.49
2	118.3	180.3	134.99
3	52.59	80.12	202.48
4	29.58	45.07	269.98
5	18.93	28.84	337.47

Unit: mm



Frame+body Material: SUS316+SUS316
 Available finishes: Brushed, Polished, Passivated
 Tempered Glass: 8mm ultra-white tempered glass
 LED brand: CREE/OSRAM/NICHIA
 Power Supply: External (CC)/Driver chip on board(CV)
 Installation: Surface mounted, Ambient temperature -20°C~+45°C
 Cable: Outdoor used rubber cable, 3M length
 Unit Weight: 0.94Kg
 Load Pressure: 1500KG (Static)
 Controls: ON/OFF, 0/1-10V, DMX
 Protection Class: IP68
 Certificate: CE, Rohs, IP, ETL
 (LED)Averaged Lifetime: 50,000hrs

Note:The IP68 rated lamp is applicable for underwater and in-ground usage.

Please refer to pages 283-285 to choose a remote power supply.

IP68 rated Waterproof performance	SUS316 Entirely Stainless steel	50000h Long lifetime	1500Kg Static Pressure Loading
-----------------------------------	---------------------------------	----------------------	--------------------------------



Parameters

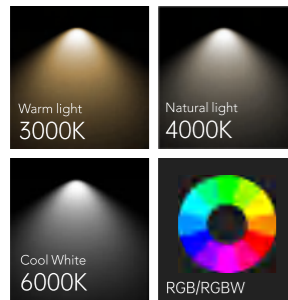
Power(W)	Source flux(lm)	Delivered flux(lm)	Applications	Product Code
8	1100	950	Unlimited	G2.0268 ± 08 ⚡ ⚡ ⚡ ⚡
12	1350	1120	Underwater only	G2.0268 ± 12 ⚡ ⚡ ⚡ ⚡

Filter Structure	☀️	Power	Ⓜ️	Input	⚡
Regular	01	8W	08	Constant current	0
Frosted glass	02	12W	12	DC24V	2
Opal plate	06				

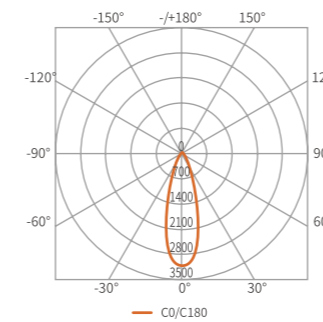
CCT Range	⚡	Optics	📐	Controls	Ⓜ️
3000K	3	10°	1	Constant current	0
4000K	5	40°	C	ON/OFF	1
6000K	8	120°	7	DMX512	2
RGB	D			0/1-10V	3
RGBW	H				

BL100

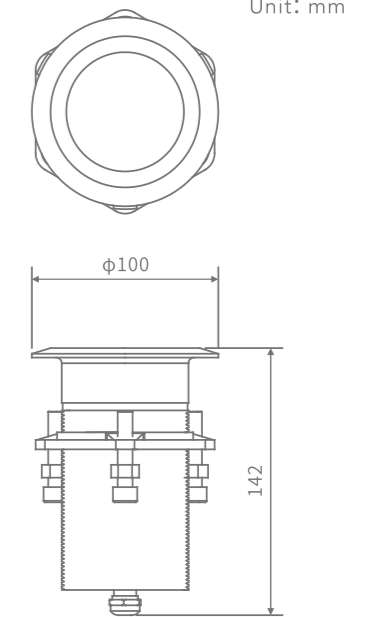
Recessed Pool Underwater Light



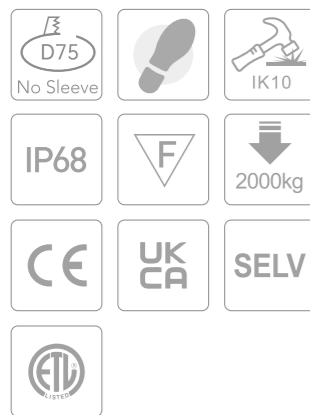
BL100 20W 4000K 40°



H(m)	Eavg(lx)	Emax(lx)	D(cm)
1	2032	3170	57.91
2	508.1	792.5	115.81
3	225.8	352.2	173.72
4	127	198.1	231.63
5	81.3	126.9	289.54



Drill size: D75mm



Frame+body Material: SUS316+SUS316
 Available finishes: Brushed, Polished, Passivated
 Transmitting material: 10mm ultra-white tempered glass
 LED brand: CREE/OSRAM/NICHIA
 Power Supply: External (CC)/Driver chip on board(CV)
 Installation: Recessed , Ambient temperature -20°C~+45°C
 Cable: Outdoor used rubber cable, 1.1M length
 Unit Weight: 1.65Kg
 Load Pressure: 2000KG (Static)
 Controls: ON/OFF, 0/1-10V, DMX, PWM
 Protection Class: IP68
 Certificate: CE, Rohs, IP, ETL
 (LED)Averaged Lifetime: 50,000hrs

Note:The IP68 rated lamp is applicable for underwater and in-ground usage.

Please refer to pages 283-285 to choose a remote power supply.

IP68 rated Waterproof performance	SUS316 Entirely Stainless steel	50000h Long lifetime	2000Kg Static Pressure Loading
-----------------------------------	---------------------------------	----------------------	--------------------------------



Parameters

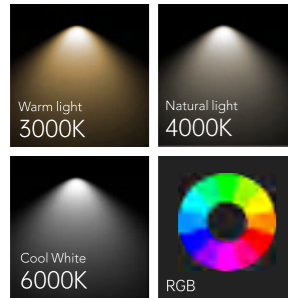
Power(W)	Source flux(lm)	Delivered flux(lm)	Applications	Product Code
15	1750	1450	Unlimited	G2.0100 ±15% ⚡ ⚡ ⚡ ⚡
20	2200	1800	Unlimited	G2.0100 ±20% ⚡ ⚡ ⚡ ⚡

Filter Structure	☀	Power	Ⓜ	Input	⚡
Regular	01	15W	15	Constant current	0
Frosted glass	02	20W	20	DC12V	1
				DC24V	2

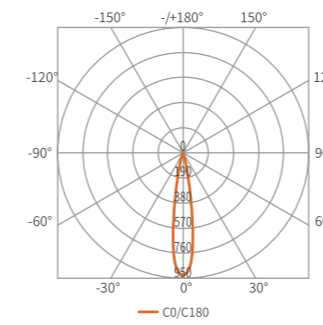
CCT Range	⊗	Optics	📐	Controls	⊕
3000K	3	10°	1	Constant current	0
4000K	5	40°	C	ON/OFF	1
6000K	8			DMX512	2
RGB	D			0/1-10V	3
RGBW	H			PWM	6

PL021

Surface Mounted Spot & Underwater Light

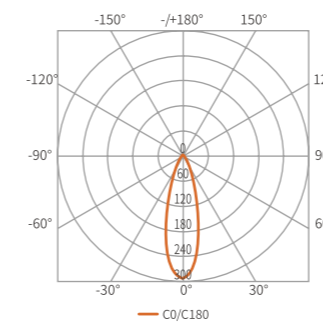


PL021 1W 4000K 12°

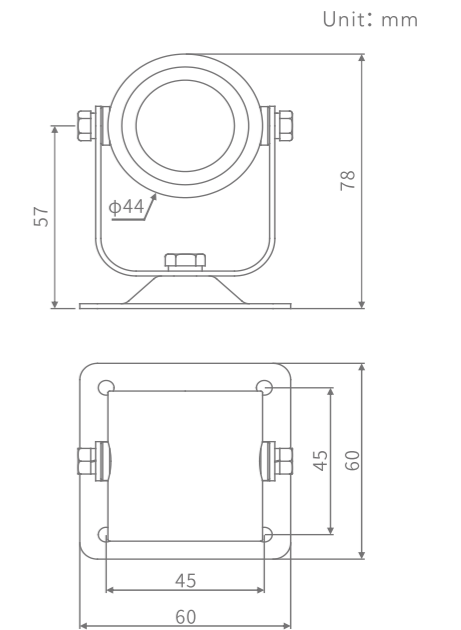


H(m)	Eavg(lx)	Emax(lx)	D(cm)
1	643.6	950.81	19.68
2	160.9	237.7	39.36
3	71.51	105.61	59.05
4	40.22	59.42	78.73
5	25.74	38.03	98.41

PL021 1W 4000K 45°



H(m)	Eavg(lx)	Emax(lx)	D(cm)
1	185.1	271.4	51.81
2	46.28	67.85	103.61
3	20.57	30.151	155.42
4	11.57	16.96	207.23
5	7.405	10.861	259.03

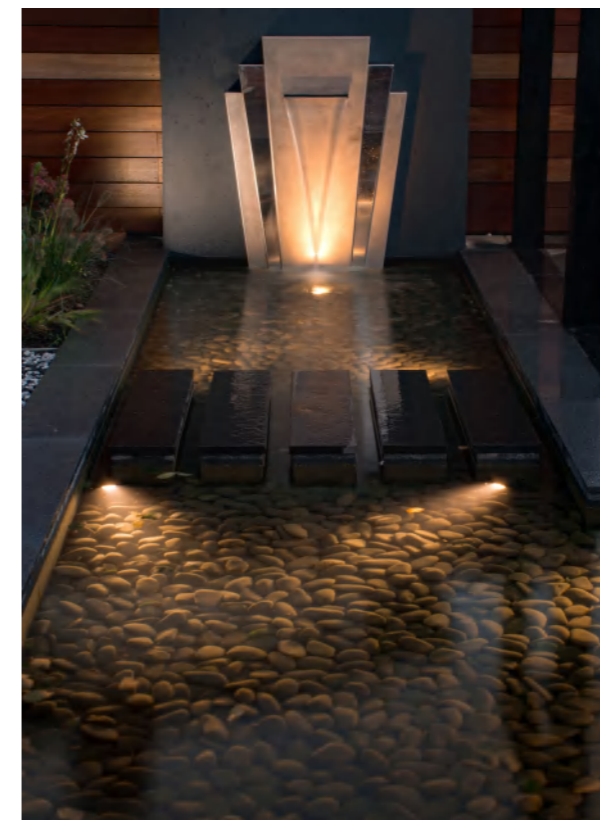


Body +bracket Material: SUS316+SUS316
 Available finishes: Brushed, Polished, Passivated
 Tempered Glass: 5mm ultra-white tempered glass
 LED brand: CREE/OSRAM/NICHIA
 Power Supply: External (CC)/Driver chip on board(CV)
 Installation: Surface mounted, Ambient temperature -20°C~+45°C
 Cable: Outdoor used rubber cable, 3M length
 Unit Weight: 0.58Kg
 Controls: ON/OFF, 0/1-10V, DMX, PWM
 Protection Class: IP68
 Certificate: CE, Rohs, IP, ETL
 (LED)Averaged Lifetime: 50,000hrs

Note:The IP68 rated lamp is applicable for underwater and in-ground usage.

Please refer to pages 283-285 to choose a remote power supply.

IP68 rated Waterproof performance SUS316 Entirely Stainless steel 50000h Long lifetime



Parameters

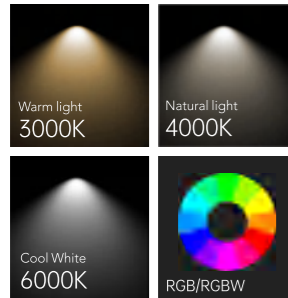
Power(W)	Source flux(lm)	Delivered flux(lm)	Applications	Product Code
1	135	100	Unlimited	P2.0021 ±01 ⚡⚡⚡⚡⚡
2	180	130	Unlimited	P2.0021 ±02 ⚡⚡⚡⚡⚡
3	300	220	Unlimited	P2.0021 ±03 ⚡⚡⚡⚡⚡
4	430	325	Underwater only	P2.0021 ±04 ⚡⚡⚡⚡⚡

Filter Structure	☀️	Power	Ⓜ️	Input	⚡
Regular	01	1W	01	Constant current	0
Frosted glass	02	2W	02	DC12V	1
Half shaded gals s	03	3W	03	DC24V	2
Opla plate	06	4W	04		

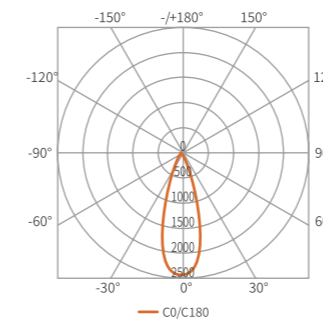
CCT Range	⚙️	Optics	📐	Controls	Ⓜ️
3000K	3	12°	1	Constant current	0
4000K	5	45°	5	ON/OFF	1
6000K	8	120°	7	DMX512	2
RGB	D			0/1-10V	3
				PWM	6

PL023

Surface Mounted Spot & Underwater Light

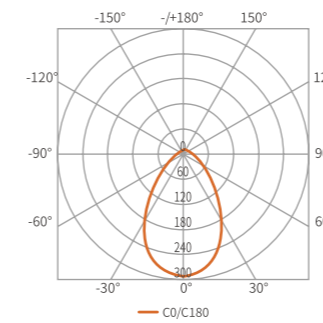


PL023 3W 4000K 20°



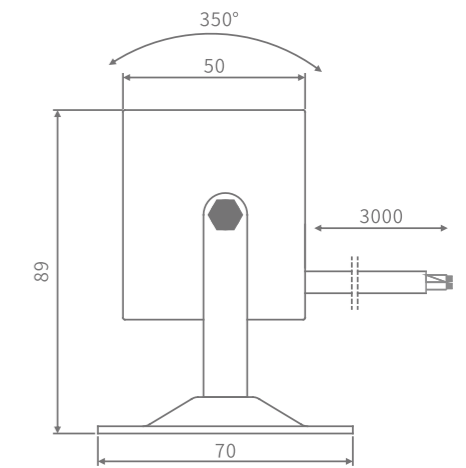
H(m)	Eavg(lx)	Emax(lx)	D(cm)
1	1600	2488	25.69
2	414.9	622	51.39
3	184.4	276.4	77.08
4	103.7	155.5	102.78
5	66.39	99.52	128.47

PL023 3W 4000K 60°



H(m)	Eavg(lx)	Emax(lx)	D(cm)
1	185.4	281	84.83
2	46.35	70.25	169.66
3	20.6	31.22	254.49
4	11.59	17.56	339.32
5	7.415	11.24	424.15

Unit: mm

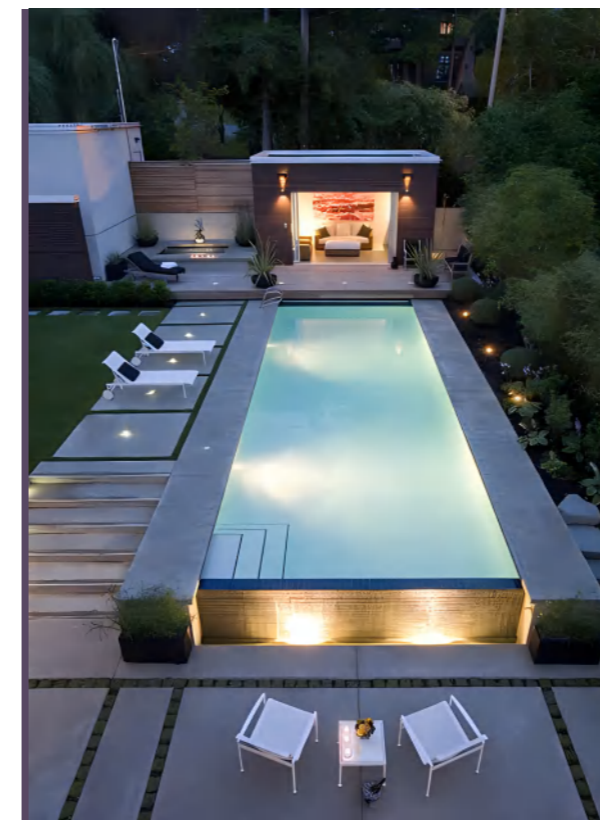


Body +bracket Material: SUS316+SUS316
 Available finishes: Brushed, Polished, Passivated
 Tempered Glass: 5mm ultra-white tempered glass
 LED brand: CREE/OSRAM/NICHIA
 Power Supply: External (CC)/Driver chip on board(CV)
 Installation: Surface mounted, Ambient temperature -20°C~+45°C
 Cable: Outdoor used rubber cable, 3M length
 Unit Weight: 0.75Kg
 Controls: ON/OFF, 0/1-10V, DMX, PWM
 Protection Class: IP68
 Certificate: CE, Rohs, IP, ETL
 (LED)Averaged Lifetime: 50,000hrs

Note:The IP68 rated lamp is applicable for underwater and in-ground usage.

Please refer to pages 283-285 to choose a remote power supply.

IP68 rated Waterproof performance SUS316 Entirely Stainless steel 50000h Long lifetime



Parameters

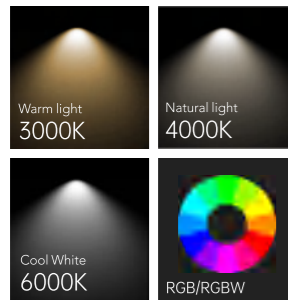
Power(W)	Source flux(lm)	Delivered flux(lm)	Applications	Product Code
3	390	315	Unlimited	P2.0023 ±03
5	550	450	Unlimited	P2.0023 ±05
6	720	580	Underwater only	P2.0023 ±06
9	960	750	Underwater only	P2.0023 ±09

Filter Structure	☀	Power	①	Input	⚡
Regular	01	3W	03	Constant current	0
Frosted glass	02	5W	05	DC12V	1
Opla plate	06	6W	06	DC24V	2
Honeycomb Louvre	08	9W	09		

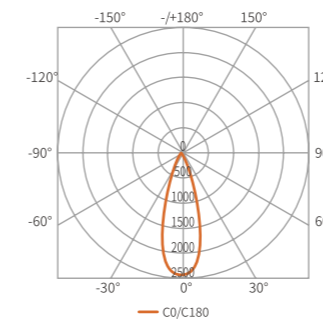
CCT Range	☁	Optics	🏠	Controls	⊕
3000K	3	20°	3	Constant current	0
4000K	5	30°	4	ON/OFF	1
6000K	8	45°	5	DMX512	2
RGB	D	60°	6	0/1-10V	3
RGBW	H	120°	7	PWM	6

PL023-2L PL023-5L

Surface Mounted Spot & Underwater Light

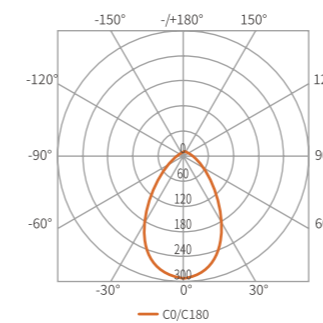


PL023-2L 3W 4000K 20°



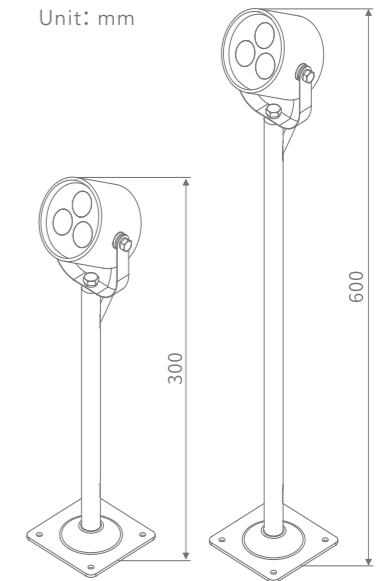
H(m)	Eavg(lx)	Emax(lx)	D(cm)
1	1600	2488	25.69
2	414.9	622	51.39
3	184.4	276.4	77.08
4	103.7	155.5	102.78
5	66.39	99.52	128.47

PL023-2L 3W 4000K 60°



H(m)	Eavg(lx)	Emax(lx)	D(cm)
1	185.4	281	84.83
2	46.35	70.25	169.66
3	20.6	31.22	254.49
4	11.59	17.56	339.32
5	7.415	11.24	424.15

Unit: mm



Body +bracket Material: SUS316+SUS316
 Available finishes: Brushed, Polished, Passivated
 Tempered Glass: 5mm ultra-white tempered glass
 LED brand: CREE/OSRAM/NICHIA
 Power Supply: External (CC)/Driver chip on board(CV)
 Installation: Surface mounted, Ambient temperature -20°C~+45°C
 Cable: Outdoor used rubber cable, 3M length
 Unit Weight: 1.15Kg(5L), 1.05Kg(2L)
 Controls: ON/OFF, 0/1-10V, DMX, PWM
 Protection Class: IP68
 Certificate: CE, Rohs, IP, ETL
 (LED)Averaged Lifetime: 50,000hrs

Note:The IP68 rated lamp is applicable for underwater and in-ground usage.

Please refer to pages 283-285 to choose a remote power supply.

IP68 rated Waterproof performance SUS316 Entirely Stainless steel 50000h Long lifetime



Parameters

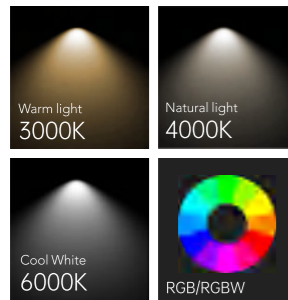
Power(W)	Source flux(lm)	Delivered flux(lm)	Applications	Product Code
3	390	390	Unlimited	P2.0023 ±03 ⚡ ⚡ ⚡ ⚡
5	550	550	Unlimited	P2.0023 ±05 ⚡ ⚡ ⚡ ⚡
6	720	720	Underwater only	P2.0023 ±06 ⚡ ⚡ ⚡ ⚡
9	960	960	Underwater only	P2.0023 ±09 ⚡ ⚡ ⚡ ⚡

Filter Structure	☀	Power	①	Input	⚡
Regular	01	3W	03	Constant current	0
Frosted glass	02	5W	05	DC12V	1
Opla plate	06	6W	06	DC24V	2
Honeycomb Louvre	08	9W	09		

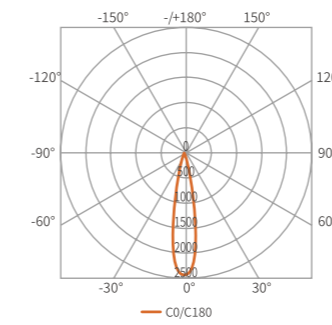
CCT Range	⊗	Optics	🏠	Controls	⊕
3000K	3	20°	3	Constant current	0
4000K	5	30°	4	ON/OFF	1
6000K	8	45°	5	DMX512	2
RGB	D	60°	6	0/1-10V	3
RGBW	H	120°	7	PWM	6

PL026

Surface Mounted Spot & Underwater Light

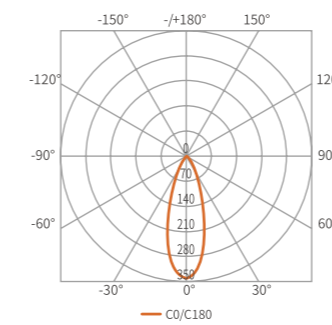


PL026 6W 4000K 10°

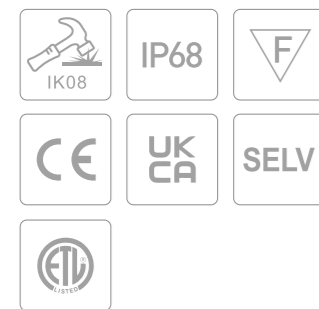
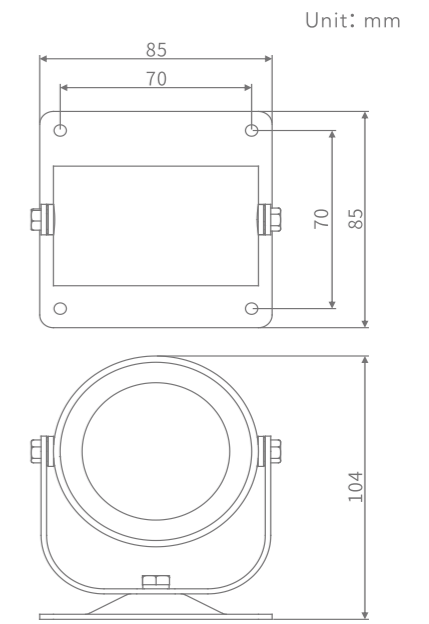


H(m)	Eavg(lx)	Emax(lx)	D(cm)
1	5001	6830	20.72
2	1250	1708	41.44
3	555.7	758.9	62.17
4	312.6	426.9	82.89
5	200	273.2	103.61

PL026 6W 4000K 40°



H(m)	Eavg(lx)	Emax(lx)	D(cm)
1	440.3	674.7	68.82
2	110.1	168.7	137.64
3	48.92	74.97	206.46
4	27.52	42.17	275.28
5	17.61	26.99	344.1



Body +bracket Material: SUS316+SUS316
 Available finishes: Brushed, Polished, Passivated
 Tempered Glass: 6mm ultra-white tempered glass
 LED brand: CREE/OSRAM/NICHIA
 Power Supply: External (CC)/Driver chip on board(CV)
 Installation: Surface mounted, Ambient temperature -20°C~+45°C
 Cable: Outdoor used rubber cable, 3M length
 Unit Weight: 1.05Kg
 Controls: ON/OFF, 0/1-10V, DMX, PWM
 Protection Class: IP68
 Certificate: CE, Rohs, IP, ETL
 (LED)Averaged Lifetime: 50,000hrs

Note:The IP68 rated lamp is applicable for underwater and in-ground usage.

Please refer to pages 283-285 to choose a remote power supply.

IP68 rated Waterproof performance	SUS316 Entirely Stainless steel	50000h Long lifetime
---	---------------------------------------	-------------------------



Parameters

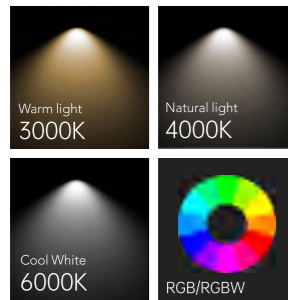
Power(W)	Source flux(lm)	Delivered flux(lm)	Applications	Product Code
6	770	650	Unlimited	P2.0026 ±06
9	1100	920	Unlimited	P2.0026 ±09
12	1550	1300	Underwater only	P2.0026 ±12

Filter Structure	☀	Power	①	Input	⚡
Regular	01	6W	06	Constant current	0
Frosted glass	02	9W	09	DC12V	1
Opla plate	06	12W	12	DC24V	2

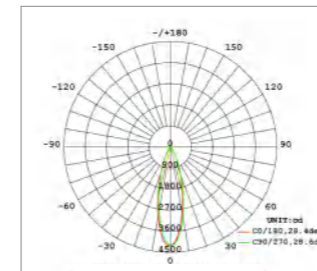
CCT Range	☀	Optics	📐	Controls	⊙
3000K	3	10°	1	Constant current	0
4000K	5	40°	C	ON/OFF	1
6000K	8	120°	7	DMX512	2
RGB	D			0/1-10V	3
RGBW	H			PWM	6

EU3030

Surface Mounted Spot & Underwater Light

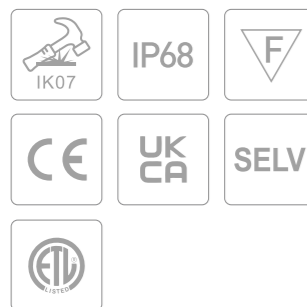
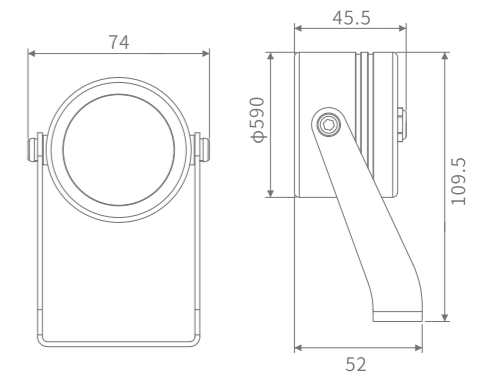


EU3030 14W 3000K 30°



H(m)	Eavg(lx)	Emax(lx)	D(cm)
1	2751	4220	50.69
2	687.8	1055	101.38
3	305.7	468.9	152.07
4	171.9	263.8	202.762
5	110.0	168.8	253.45

Unit: mm



Frame+body Material: SUS316+SUS316
 Available finishes: Brushed, Polished, Passivated
 Tempered Glass: 6mm ultra-white tempered glass
 LED brand: CREE/OSRAM/NICHIA
 Power Supply: External (CC)/Driver chip on board(CV)
 Installation: Surface mounted, Ambient temperature -20°C~+45°C
 Cable: Outdoor used rubber cable, 3M length
 Unit Weight: 0.5Kg
 Controls: ON/OFF(Non dim), 0/1-10V, DMX, PWM
 Protection Class: IP68
 Certificate: CE, Rohs, IP, ETL
 (LED)Averaged Lifetime: 50,000hrs

Note:The IP68 rated lamp is applicable for underwater and in-ground usage.

Please refer to pages 283-285 to choose a remote power supply.

IP68 rated Waterproof performance	SUS316 Entirely Stainless steel	50000h Long lifetime
---	---------------------------------------	-------------------------



Parameters

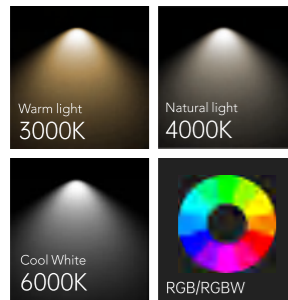
Power(W)	Source flux(lm)	Delivered flux(lm)	Applications	Product Code
7	780	630	Underwater only	P2.3030 ±07 ⚡⚡⚡⚡⚡
14	1500	1200	Underwater only	P2.3030 ±14 ⚡⚡⚡⚡⚡

Filter Structure	☀	Power	①	Input	⚡
Regular	01	7W	07	Constant current	0
Frosted glass	02	14W	14	DC12V	1
				DC24V	2

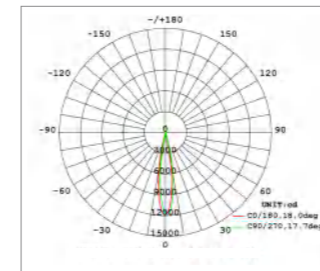
CCT Range	⊗	Optics	📐	Controls	⊕
3000K	3	15°	3	Constant current	0
4000K	5	30°	4	ON/OFF	1
6000K	8	45°	5	DMX512	2
RGB	D	60°	6	0/1-10V	3
RGBW	H			PWM	6

EU3031

Surface Mounted Spot & Underwater Light

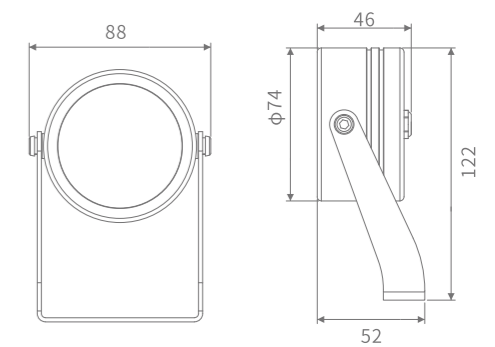


EU3031 22W 3000K 15°



H(m)	Eavg(lx)	Emax(lx)	D(cm)
1	8321	11866	31.18
2	2080	2967	62.36
3	924.6	1318	93.54
4	520.1	741.6	124.72
5	332.8	474.6	155.90

Unit: mm



Frame+body Material: SUS316+SUS316
 Available finishes: Brushed, Polished, Passivated
 Tempered Glass: 6mm ultra-white tempered glass
 LED brand: CREE/OSRAM/NICHIA
 Power Supply: External (CC)/Driver chip on board(CV)
 Installation: Surface mounted, Ambient temperature -20°C~+45°C
 Cable: Outdoor used rubber cable, 3M length
 Unit Weight: 1Kg
 Controls: ON/OFF(Non dim), 0/1-10V, DMX, PWM
 Protection Class: IP68
 Certificate: CE, Rohs, IP, ETL
 (LED)Averaged Lifetime: 50,000hrs

Note:The IP68 rated lamp is applicable for underwater and in-ground usage.

Please refer to pages 283-285 to choose a remote power supply.

IP68 rated Waterproof performance	SUS316 Entirely Stainless steel	50000h Long lifetime
---	---------------------------------------	-------------------------



Parameters

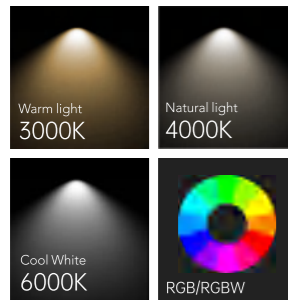
Power(W)	Source flux(lm)	Delivered flux(lm)	Applications	Product Code
14	1670	1350	Underwater only	P2.3031 14W 15°
22	2500	2000	Underwater only	P2.3031 22W 15°

Filter Structure	Icon	Power	Icon	Input	Icon
Regular	01	14W	14	Constant current	0
Frosted glass	02	22W	22	DC24V	2

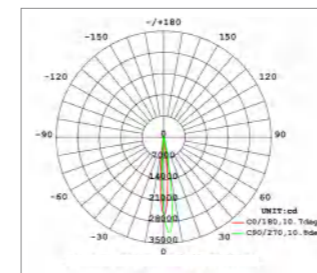
CCT Range	Icon	Optics	Icon	Controls	Icon
3000K	3	15°	3	Constant current	0
4000K	5	30°	4	ON/OFF	1
6000K	8	45°	5	DMX512	2
RGB	D	60°	6	0/1-10V	3
RGBW	H			PWM	6

EU3032

Surface Mounted Spot & Underwater Light

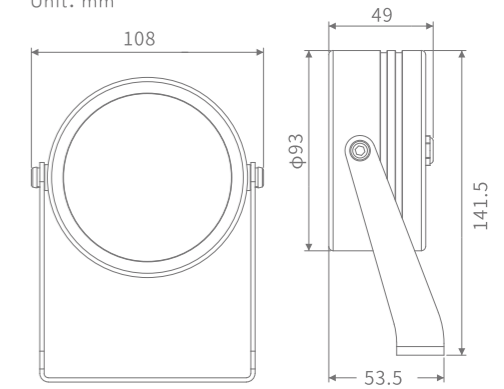


EU3032 27W 3000K 10°



H(m)	Eavg(lx)	Emax(lx)	D(cm)
1	18393	31205	18.71
2	4598	7801	37.43
3	2044	3467	56.14
4	1150	1950	74.85
5	735.7	1248	93.57

Unit: mm



Frame+body Material: SUS316+SUS316
 Available finishes: Brushed, Polished, Passivated
 Tempered Glass: 6mm ultra-white tempered glass
 LED brand: CREE/OSRAM/NICHIA
 Power Supply: External (CC)/Driver chip on board(CV)
 Installation: Surface mounted, Ambient temperature -20°C~+45°C
 Cable: Outdoor used rubber cable, 3M length
 Unit Weight: 1.5Kg
 Controls: ON/OFF(Non dim), 0/1-10V, DMX, PWM
 Protection Class: IP68
 Certificate: CE, Rohs, IP, ETL
 (LED)Averaged Lifetime: 50,000hrs

Note:The IP68 rated lamp is applicable for underwater and in-ground usage.

Please refer to pages 283-285 to choose a remote power supply.

IP68 rated Waterproof performance	SUS316 Entirely Stainless steel	50000h Long lifetime
---	---------------------------------------	-------------------------



Parameters

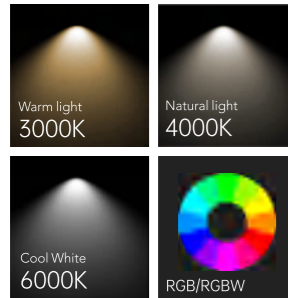
Power(W)	Source flux(lm)	Delivered flux(lm)	Applications	Product Code
27	3150	2500	Underwater only	P2.3032 27W
43	5000	4050	Underwater only	P2.3032 43W

Filter Structure	☀	Power	①	Input	⚡
Regular	01	27W	27	Constant current	0
Frosted glass	02	43W	43	DC24V	2

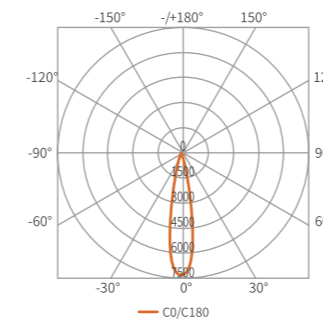
CCT Range	⊗	Optics	↙	Controls	⊕
3000K	3	10°	1	Constant current	0
4000K	5	30°	4	ON/OFF	1
6000K	8	45°	5	DMX512	2
RGB	D	60°	6	0/1-10V	3
RGBW	H			PWM	6

EU3042

Surface Mounted Spot & Underwater Light

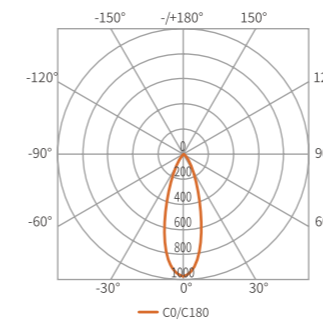


EU3042 13W 4000K 20°



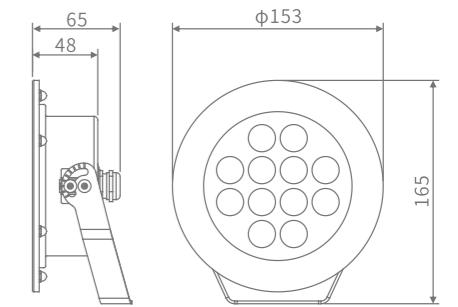
H(m)	Eavg(lx)	Emax(lx)	D(cm)
1	4873	7493	33.69
2	1218	1873	67.38
3	541.5	832.5	101.06
4	304.6	468.3	134.75
5	194.9	299.71	168.44

EU3042 13W 4000K 60°



H(m)	Eavg(lx)	Emax(lx)	D(cm)
1	575.8	976.7	115.79
2	143.9	224.2	231.58
3	63.98	108.51	347.37
4	35.99	61.05	463.17
5	23.03	39.07	578.96

Unit: mm



Body +bracket Material: SUS316+SUS316
 Available finishes: Brushed, Polished, Passivated
 Tempered Glass: 6mm ultra-white tempered glass
 LED brand: CREE/OSRAM/NICHIA
 Power Supply: External (CC)/Driver chip on board(CV)
 Installation: Surface mounted, Ambient temperature -20°C~+45°C
 Cable: Outdoor used rubber cable, 3M length
 Unit Weight: 1Kg
 Controls: ON/OFF, 0/1-10V, DMX, PWM
 Protection Class: IP68
 Certificate: CE, Rohs, IP, ETL
 (LED)Averaged Lifetime: 50,000hrs

Note:The IP68 rated lamp is applicable for underwater and in-ground usage.

Please refer to pages 283-285 to choose a remote power supply.

IP68 rated Waterproof performance SUS316 Entirely Stainless steel 50000h Long lifetime



Parameters

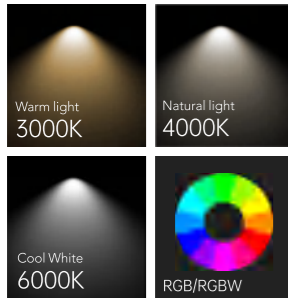
Power(W)	Source flux(lm)	Delivered flux(lm)	Applications	Product Code
13	1600	1250	Unlimited	P2.3042 13W 4000K 20°
24	3150	2400	Underwater only	P2.3042 24W 4000K 60°
36	4000	2900	Underwater only	P2.3042 36W 4000K 120°

Filter Structure	☀	Power	Ⓜ	Input	⚡
Regular	01	13W	13	Constant current	0
Opla plate	06	24W	24	DC12V	1
Honeycomb Louvre	08	36W	36	DC24V	2

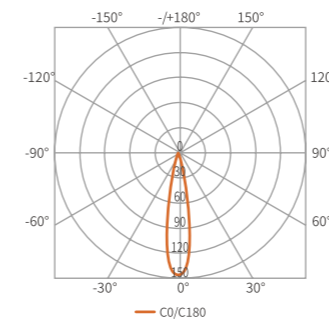
CCT Range	⊗	Optics	📐	Controls	⊕
3000K	3	20°	3	Constant current	0
4000K	5	30°	4	ON/OFF	1
6000K	8	45°	5	DMX512	2
RGB	D	60°	6	0/1-10V	3
RGBW	H	120°	7	PWM	6

EU1971

Surface Mounted Spot & Underwater Light

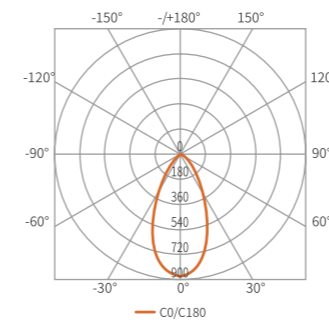


EU1971 13W 4000K 20°



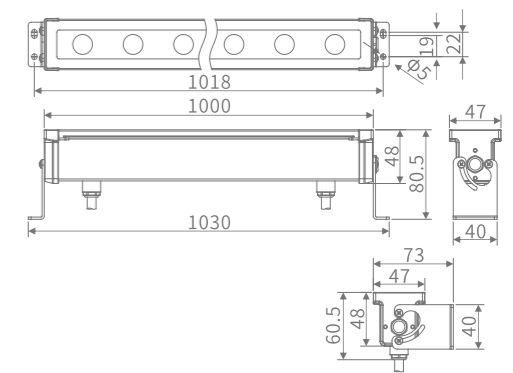
H(m)	Eavg(lx)	Emax(lx)	D(cm)
1	8004	11979	27.44
2	2001	2995	54.87
3	899.3	1331	82.31
4	500.3	748.7	109.74
5	320.2	479.21	137.18

EU1971 13W 4000K 60°



H(m)	Eavg(lx)	Emax(lx)	D(cm)
1	575.8	976.7	115.79
2	143.9	224.2	231.58
3	63.98	108.51	347.37
4	35.99	61.05	463.17
5	23.03	39.07	578.96

Unit: mm



Parameters

Power(W)	Source flux(lm)	Delivered flux(lm)	Applications	Product Code
13	1650	1200	Unlimited	L2.1971 13W 4000K 20°
24	3150	2350	Unlimited	L2.1971 24W 4000K 20°
36	4100	3100	Unlimited	L2.1971 36W 4000K 20°

Filter Structure	☀	Power	①	Input	⚡
Regular	01	13W	13	Constant current	0
Transversal Louvre	19	24W	24	DC12V	1
		36W	36	DC24V	2

CCT Range	☀	Optics	📐	Controls	⊙
3000K	3	20°	3	Constant current	0
4000K	5	30°	4	ON/OFF	1
6000K	8	45°	5	DMX512	2
RGB	D	60°	6	0/1-10V	3
RGBW	H			PWM	6

Body +bracket Material: SUS316+SUS316
 Available finishes: Brushed, Polished, Passivated
 Tempered Glass: 5mm ultra-white tempered glass
 LED brand: CREE/OSRAM/NICHIA
 Power Supply: External (CC)/Driver chip on board(CV)
 Installation: Surface mounted, Ambient temperature -20°C~+45°C
 Cable: Outdoor used rubber cable, 0.3M length(male and female Plug cable)
 Unit Weight: 2.81Kg
 Controls: ON/OFF, 0/1-10V, DMX, PWM
 Protection Class: IP68
 Certificate: CE, Rohs, IP, ETL
 (LED)Averaged Lifetime: 50,000hrs

Note:The IP68 rated lamp is applicable for underwater and in-ground usage.

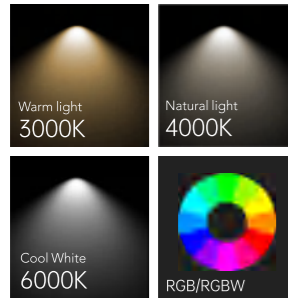
Please refer to pages 283-285 to choose a remote power supply.

IP68 rated Waterproof performance SUS316 Entirely Stainless steel 50000h Long lifetime

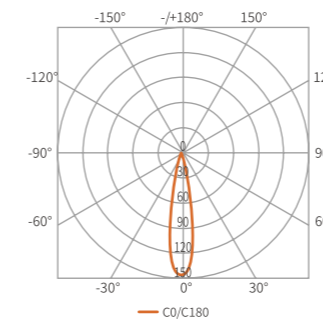


EU1972

Recessed Pool Underwater Light

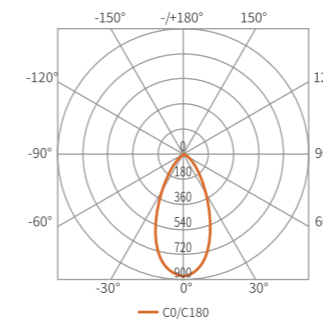


EU1972 13W 4000K 20°



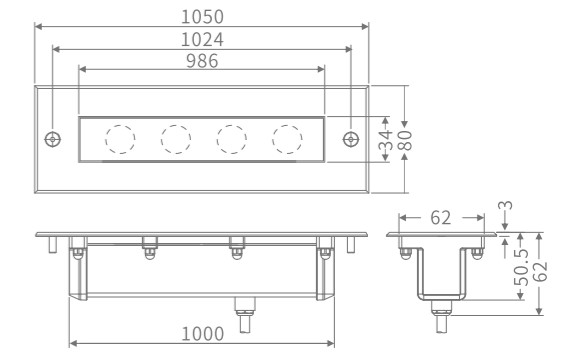
H(m)	Eavg(lx)	Emax(lx)	D(cm)
1	8004	11979	27.44
2	2001	2995	54.87
3	899.3	1331	82.31
4	500.3	748.7	109.74
5	320.2	479.21	137.18

EU1972 13W 4000K 60°



H(m)	Eavg(lx)	Emax(lx)	D(cm)
1	1116	1865	116
2	279	466.3	232
3	124	207.2	348
4	69.75	116.6	464.01
5	44.64	74.6	580.01

Unit: mm



Parameters

Power(W)	Source flux(lm)	Delivered flux(lm)	Applications	Product Code
13	1650	1200	Unlimited	L2.1972 13 13 13 13 13
24	3150	2350	Unlimited	L2.1972 24 24 24 24 24
36	4100	3100	Unlimited	L2.1972 36 36 36 36 36

Filter Structure	☀	Power	①	Input	⚡
Regular	01	13W	13	Constant current	0
Transversal Louvre	19	24W	24	DC12V	1
		36W	36	DC24V	2

CCT Range	☀	Optics	📐	Controls	⊙
3000K	3	20°	3	Constant current	0
4000K	5	30°	4	ON/OFF	1
6000K	8	45°	5	DMX512	2
RGB	D	60°	6	0/1-10V	3
RGBW	H			PWM	6



Frame+body Material: SUS316+SUS316
 Available finishes: Brushed, Polished, Passivated
 Tempered Glass: 8mm ultra-white tempered glass
 LED brand: CREE/OSRAM/NICHIA
 Power Supply: External (CC)/Driver chip on board(CV)
 Installation: Recessed, Ambient temperature -20°C~ +45°C
 Cable: Outdoor used rubber cable, 0.3M length(male and female Plug cable)
 Unit Weight: 4.05Kg
 Load Pressure: 500KG (Static)
 Controls: ON/OFF, 0/1-10V, DMX, PWM
 Protection Class: IP68
 Certificate: CE, Rohs, IP, ETL
 (LED)Averaged Lifetime: 50,000hrs

Note:The IP68 rated lamp is applicable for underwater and in-ground usage.

Please refer to pages 283-285 to choose a remote power supply.

IP68 rated Waterproof performance	SUS316 Entirely Stainless steel	50000h Long lifetime	500Kg Static Pressure Loading
-----------------------------------	---------------------------------	----------------------	-------------------------------


02

Fountain Light



Product Guidance



IMAGE	PRODUCT CODE	POWER	OPTICS (°)	CCT (K)	IP	PAGE
	FL410	18	S20/30/45/F60	Single/ full colour	68	089/090 ▶
	FL411	18	S20/30/45/F60	Single/ full colour	68	091/092 ▶

02

EURBORN

Fountain Light

Eurborn Fountain Lights series, Marine Grade 316 Stainless Steel construction rated to IP68 to ensure robust protection against water ingress, it is a high-end special light designed and developed specifically for fountain landscape applications with high safety, high waterproof, high corrosion resistance, multi-light efficiency, energy saving, long life, easy maintenance and many other characteristics.

Because the lamps are in a high humidity environment for a long time, we attach great importance to the high standard selection of components and materials, strictly ensure the waterproof grade and actual performance of the lamps, and the comprehensive quality of the lamps has always remained in the forefront of the lighting industry.

Eurborn Fountain Lighting series which are widely used in Landscape, amusement, gardens, rivers and lakes. With outstanding performance advantages and fashionable designs, they are exported to 135 countries and regions, and have been well received by users

IP68 rated
Waterproof performance

SUS316
Entirely Stainless steel

50000h
Long lifetime



Color temperature range

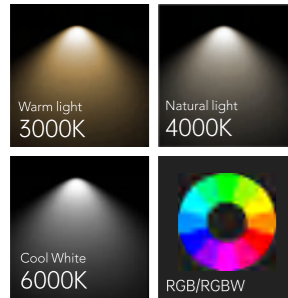
1800K--6500K

- ✓ High dustproof and waterproof
- ✓ >50000hrs lifetime
- ✓ -20°C~+45°C Ambient temperature
- ✓ Multiple layers sealing
- ✓ SUS316 Stainless Steel
- ✓ 10mm wear-resistant tempered glass
- ✓ High quality LED
- ✓ RGBW

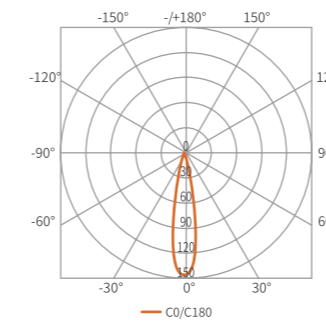


FL410

Recessed Pool Underwater Light

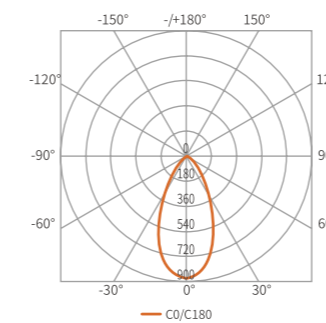


FL410 10W 4000K 20°

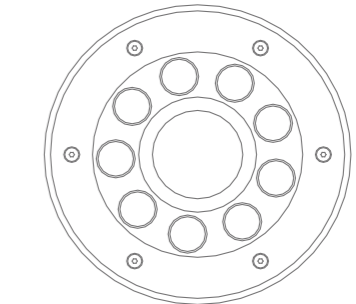
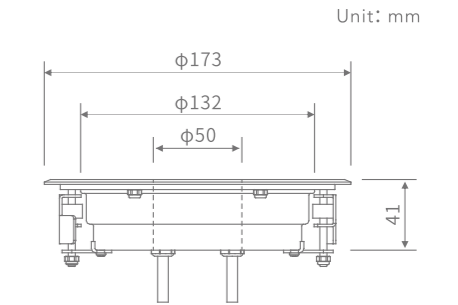


H(m)	Eavg(lx)	Emax(lx)	D(cm)
1	3350	4872	33.35
2	837.6	1218	66.69
3	372.3	541.3	100.04
4	209.4	304.5	133.39
5	134	194.9	166.74

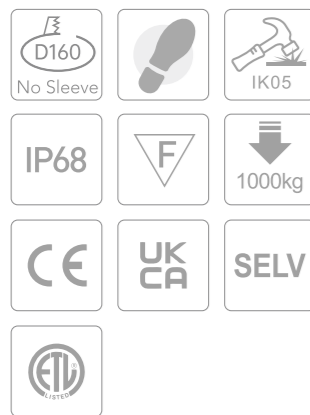
FL410 10W 4000K 60°



H(m)	Eavg(lx)	Emax(lx)	D(cm)
1	454	725.5	109.63
2	113.5	181.4	219.26
3	50.44	80.61	328.89
4	28.37	45.34	438.52
5	18.16	29.02	548.15



Drill size: D160mm



Frame+body Material: SUS316+SUS316
 Available finishes: Brushed, Polished, Passivated
 Tempered Glass: 6mm ultra-white tempered glass
 LED brand: CREE/OSRAM/NICHIA
 Power Supply: External (CC)/Driver chip on board(CV)
 Installation: Recessed, Ambient temperature -20°C~ +45°C
 Cable: Outdoor used rubber cable, 2*1.1M length
 Unit Weight: 1.42Kg
 Load Pressure: 1000KG (Static)
 Controls: ON/OFF, 0/1-10V, DMX, PWM
 Protection Class: IP68
 Certificate: CE, Rohs, IP, ETL
 (LED)Averaged Lifetime: 50,000hrs

Note:The IP68 rated lamp is applicable for underwater and in-ground usage.

Please refer to pages 283-285 to choose a remote power supply.

IP68 rated Waterproof performance	SUS316 Entirely Stainless steel	50000h Long lifetime	1000Kg Static Pressure Loading
-----------------------------------	---------------------------------	----------------------	--------------------------------



Parameters

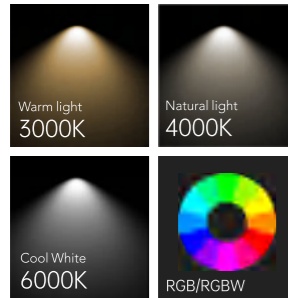
Power(W)	Source flux(lm)	Delivered flux(lm)	Applications	Product Code
10	1200	1000	Unlimited	W2.0410±10
12	1450	1200	Unlimited	W2.0410±12
18	2200	1800	Unlimited	W2.0410±18

Filter Structure	☀	Power	①	Input	⚡
Regular	01	10W	10	Constant current	0
		12W	12	DC12V	1
		18W	18	DC24V	2

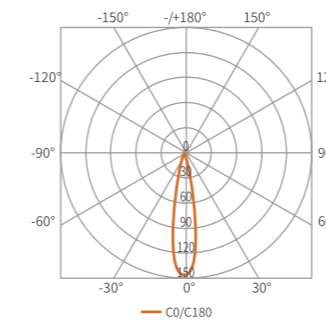
CCT Range	☼	Optics	📐	Controls	⊙
3000K	3	20°	3	Constant current	0
4000K	5	30°	4	ON/OFF	1
6000K	8	45°	5	DMX512	2
RGB	D	60°	6	0/1-10V	3
RGBW	H			PWM	6

FL411

Surface Mounted Underwater Light

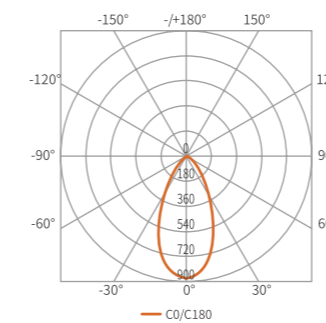


FL411 10W 4000K 20°



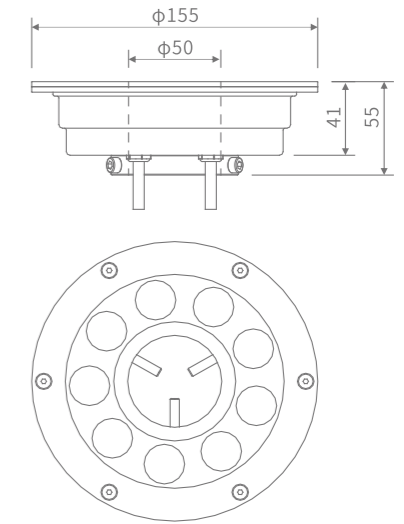
H(m)	Eavg(lx)	Emax(lx)	D(cm)
1	3350	4872	33.35
2	837.6	1218	66.69
3	372.3	541.3	100.04
4	209.4	304.5	133.39
5	134	194.9	166.74

FL411 10W 4000K 60°



H(m)	Eavg(lx)	Emax(lx)	D(cm)
1	454	725.5	109.63
2	113.5	181.4	219.26
3	50.44	80.61	328.89
4	28.37	45.34	438.52
5	18.16	29.02	548.15

Unit: mm



Frame+body Material: SUS316+SUS316
 Available finishes: Brushed, Polished, Passivated
 Tempered Glass: 6mm ultra-white tempered glass
 LED brand: CREE/OSRAM/NICHIA
 Power Supply: External (CC)/Driver chip on board(CV)
 Installation: Surface mounted, Ambient temperature -20°C~+45°C
 Cable: Outdoor used rubber cable, 2*1.1M length
 Unit Weight: 1.42Kg
 Load Pressure: 1000KG (Static)
 Controls: ON/OFF, 0/1-10V, DMX, PWM
 Protection Class: IP68
 Certificate: CE, Rohs, IP, ETL
 (LED)Averaged Lifetime: 50,000hrs

Note:The IP68 rated lamp is applicable for underwater and in-ground usage.

Please refer to pages 283-285 to choose a remote power supply.

IP68 rated Waterproof performance	SUS316 Entirely Stainless steel	50000h Long lifetime	1000Kg Static Pressure Loading
-----------------------------------	---------------------------------	----------------------	--------------------------------



Parameters

Power(W)	Source flux(lm)	Delivered flux(lm)	Applications	Product Code
10	1200	1000	Unlimited	W2.0411±10 10 18 18 18
12	1450	1200	Unlimited	W2.0411±12 12 18 18 18
18	2200	1800	Unlimited	W2.0411±18 18 18 18 18

Filter Structure	☀	Power	①	Input	⚡
Regular	01	10W	10	Constant current	0
		12W	12	DC12V	1
		18W	18	DC24V	2

CCT Range	☀	Optics	📐	Controls	⊙
3000K	3	20°	3	Constant current	0
4000K	5	30°	4	ON/OFF	1
6000K	8	45°	5	DMX512	2
RGB	D	60°	6	0/1-10V	3
RGBW	H			PWM	6

03

Ground Light



Product Guidance



IMAGE	PRODUCT CODE	POWER	OPTICS (°)	CCT (K)	IP	PAGE
	EU1926	3	10/20	Single	67	097/098 ▶
	EU1927	5	15/24	Single	67	099/100 ▶
	EU1928	8	15/24	Single	67	101/102 ▶
	EU1965H	6	20/60	Single	67	103/104 ▶
	EU1968	7	3	Single	67	105/106 ▶
	EU1968B	7	15/24/36/50	Single	67	107/108 ▶
	GL117	3	10/20/40/60	Single	67	109/110 ▶
	GL130	3	20/60	Single	67	111/112 ▶
	GL151	3	-	Single	68	113/114 ▶
	GL191	1	-	Single	68	115/116 ▶
	GL080	9	10/40	Single/ full colour	67	117/118 ▶
	GL120	20	20/45/60	Single/ full colour	67	119/120 ▶
	GL180	20	20/45/60	Single/ full colour	67	121/122 ▶
	GL240	36	20/45/60	Single/ full colour	67	123/124 ▶
	GL310	36	20/30/45/60	Single/ full colour	67	125/126 ▶
	EU1953	12	120	Single/ full colour	67	127/128 ▶
	EU1947	7	45	Single	67	129/130 ▶
	EU1948	3	20/30/45/60	Single	67	131/132 ▶
	EU1967	2	120	Single	67	133/134 ▶
	EU1958	1	120	Single	67	135/136 ▶
	EU1959	3	120	Single	67	137/138 ▶
	EU1915	2	40X120	Single	68	139/140 ▶
	EU1934	2	Special angle	Single	68	141/142 ▶
	EU1935	4	Special angle	Single	68	143/144 ▶
	EU1936	6	Special angle	Single	68	145/146 ▶
	EU1966	5	15/20/30/45/60	Single	67	147/148 ▶

03

EURBORN

Ground Light

EURBORN has developed 3 series and more than 20 models of underwater lighting products, which are widely used in underwater, architectural, gardening, indoor and other fields. With highly dustproof and waterproof structure design, impact resistance, corrosion resistance, wear resistance, high safety is its main features.

High-strength SUS316 stainless steel + aluminum alloy shell and wear-resistant high-light glass, to ensure the safety of the in-ground light operation. Well assembled by professional engineers with more than 20 years of experience to ensure that the lamp with high performance and stable operation, ambient temperature can reach $-20^{\circ}\text{C} \sim +45^{\circ}\text{C}$, service life of up to 50,000 hours.

Eurborn Recessed Light with outstanding performance advantages and fashionable designs, they are exported to 135 countries and regions, and have been well received by users.



Color temperature range

1800K--6500K

- ✓ SUS316 Stainless Steel
- ✓ IP67+IP68
- ✓ $-20^{\circ}\text{C} \sim +45^{\circ}\text{C}$ Ambient temperature
- ✓ High dustproof and waterproof
- ✓ >50000hrs lifetime
- ✓ Multiple layers sealing
- ✓ $\geq 3\text{M}$ cable
- ✓ High quality LED
- ✓ RGBW



SUS316
Entirely Stainless steel

IP67+IP68 rated
Waterproof performance

$-20^{\circ}\text{C} \sim +45^{\circ}\text{C}$
Ambient temperature

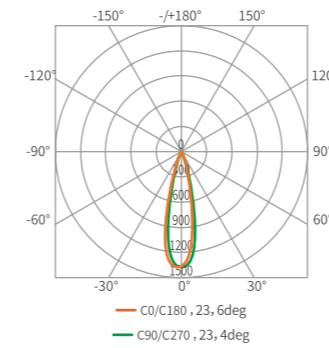


EU1926

Adjustable
Recessed In-ground Light

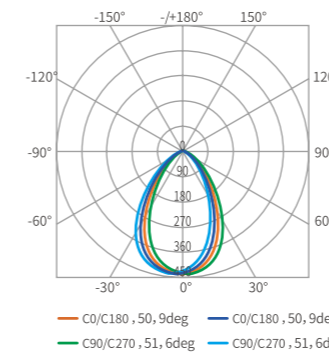


EU1926 3W 3000K 20°



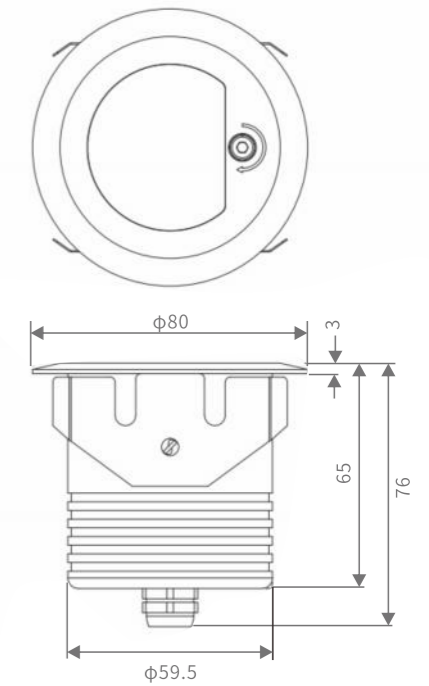
H(m)	Eavg(lx)	Emax(lx)	D(cm)
1	972.5	1399	41.44
2	243.1	349.8	82.88
3	108.1	155.5	124.33
4	60.78	87.45	165.77
5	38.90	55.97	207.21

EU1926 6W 3000K 60°



H(m)	Eavg(lx)	Emax(lx)	D(cm)
1	252.6	405.4	92.20
2	63.16	101.4	184.40
3	28.07	45.05	276.60
4	15.79	25.34	368.80
5	10.11	16.22	461.00

Unit: mm



Frame+body Material: SUS316+Aluminium
 Available finishes: Brushed, Polished, Passivated
 Tempered Glass: 6mm ultra-white tempered glass
 LED brand: CREE/OSRAM/NICHIA
 Power Supply: External (CC)/Driver chip on board(CV)
 Installation: Recessed, Ambient temperature -20°C~+45°C
 Cable: Outdoor used rubber cable, 3M length
 Unit Weight: 0.5Kg
 Controls: ON/OFF(Non dim), 0/1-10V, DMX, PWM
 Load Pressure: 2000KG (Static)
 Protection Class: IP67
 Certificate: CE, Rohs, IP, ETL
 (LED)Averaged Lifetime: 50,000hrs

Please refer to pages 283-285 to choose a remote power supply.

Optional Accessory



IP67 rated Waterproof performance	SUS316 Stainless Steel Frame	50000h Long lifetime	2000Kg Static Pressure Loading
---	------------------------------------	-------------------------	--------------------------------------



Parameters

Power(W)	Source flux(lm)	Delivered flux(lm)	Applications	Product Code
3	300	240	IN-GROUND	G5.1926 ±03 3W 3000K
6	600	480	IN-GROUND	G5.1926 ±06 6W 3000K

Filter Structure	☀	Power	①	Input	⚡
Regular	01	3W	03	Constant current	0
Frosted glass	02	6W	06	DC24V	2

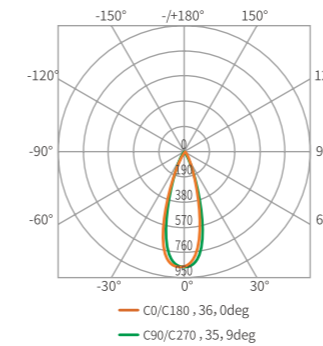
CCT Range	☀	Optics	📐	Controls	⊕
3000K	3	10°	1	Constant current	0
4000K	5	20°	3	ON/OFF	1
6000K	8	30°	4	DMX512	2
		40°	C	0/1-10V	3
		60°	6	PWM	6

EU1927

Adjustable
Recessed In-ground Light

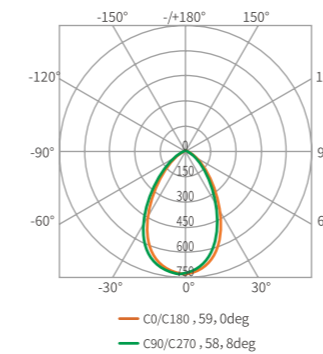


EU1927 5W 3000K 36°

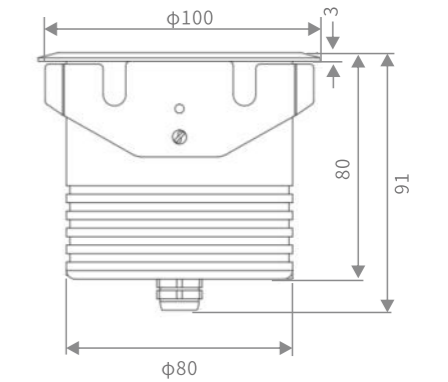
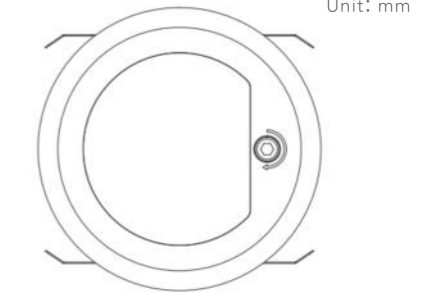


H(m)	Eavg(lx)	Emax(lx)	D(cm)
1	633.5	914.6	64.80
2	158.4	228.6	129.61
3	70.39	101.6	194.41
4	39.60	57.16	259.21
5	25.34	36.58	324.01

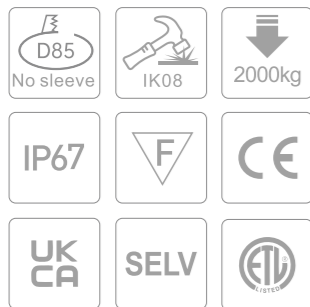
EU1926 7W 3000K 60°



H(m)	Eavg(lx)	Emax(lx)	D(cm)
1	443.6	720.5	112.66
2	110.9	180.1	225.33
3	49.29	80.05	337.99
4	27.72	45.03	450.66
5	17.74	28.82	563.32



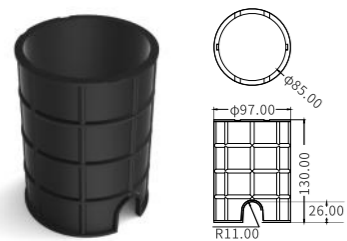
Unit: mm



Frame+body Material: SUS316+Aluminium
 Available finishes: Brushed, Polished, Passivated
 Tempered Glass: 8mm ultra-white tempered glass
 LED brand: CREE/OSRAM/NICHIA
 Power Supply: External (CC)/Driver chip on board(CV)
 Installation: Recessed, Ambient temperature -20°C~+45°C
 Cable: Outdoor used rubber cable, 3M length
 Unit Weight: 1.0Kg
 Controls: ON/OFF(Non dim), 0/1-10V, DMX, PWM
 Load Pressure: 2000KG (Static)
 Protection Class: IP67
 Certificate: CE, Rohs, IP, ETL
 (LED)Averaged Lifetime: 50,000hrs

Please refer to pages 283-285 to choose a remote power supply.

Optional Accessory



IP67 rated Waterproof performance	SUS316 Stainless Steel Frame	50000h Long lifetime	2000Kg Static Pressure Loading
---	------------------------------------	-------------------------	--------------------------------------



Parameters

Power(W)	Source flux(lm)	Delivered flux(lm)	Applications	Product Code
5	580	470	IN-GROUND	G5.1927 ±05
7	700	570	IN-GROUND	G5.1927 ±07
9	980	790	IN-GROUND	G5.1927 ±09

Filter Structure	Icon	Power	Icon	Input	Icon
Regular	01	5W	05	Constant current	0
Frosted glass	02	7W	07	DC24V	2
		9W	09		

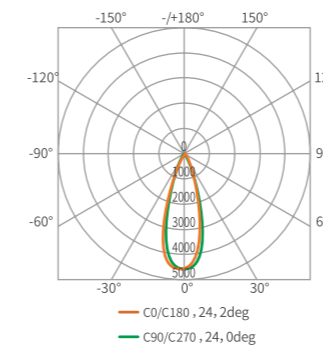
CCT Range	Icon	Optics	Icon	Controls	Icon
3000K	3	15°	2	Constant current	0
4000K	5	24°	Q	ON/OFF	1
6000K	8	36°	E	DMX512	2
		60°	6	0/1-10V	3
				PWM	6

EU1928

Adjustable
Recessed In-ground Light

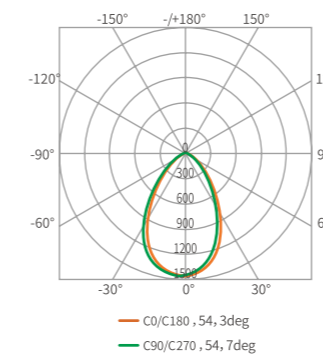


EU1928 8W 3000K 24°

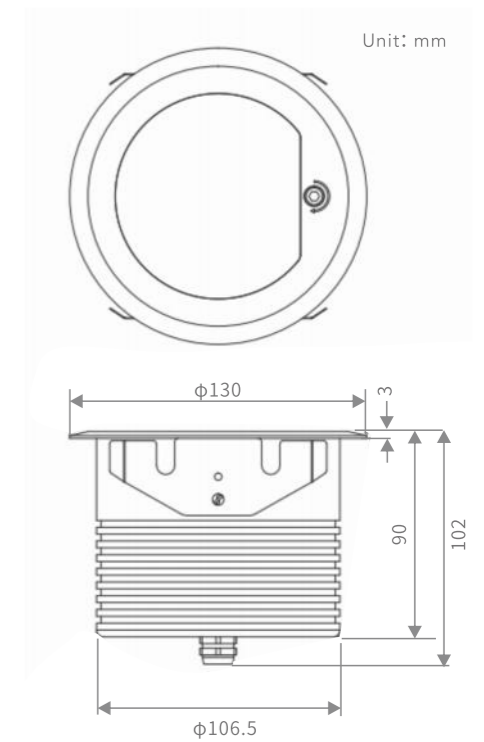


H(m)	Eavg(lx)	Emax(lx)	D(cm)
1	3275	4815	42.52
2	818.8	1204	85.04
3	363.9	535.0	127.55
4	204.7	300.9	170.07
5	131.0	192.6	212.59

EU1928 16W 3000K 60°



H(m)	Eavg(lx)	Emax(lx)	D(cm)
1	849.6	1448	102.59
2	212.4	362.1	205.17
3	94.40	160.9	307.76
4	53.10	90.52	410.34
5	33.98	57.93	512.93



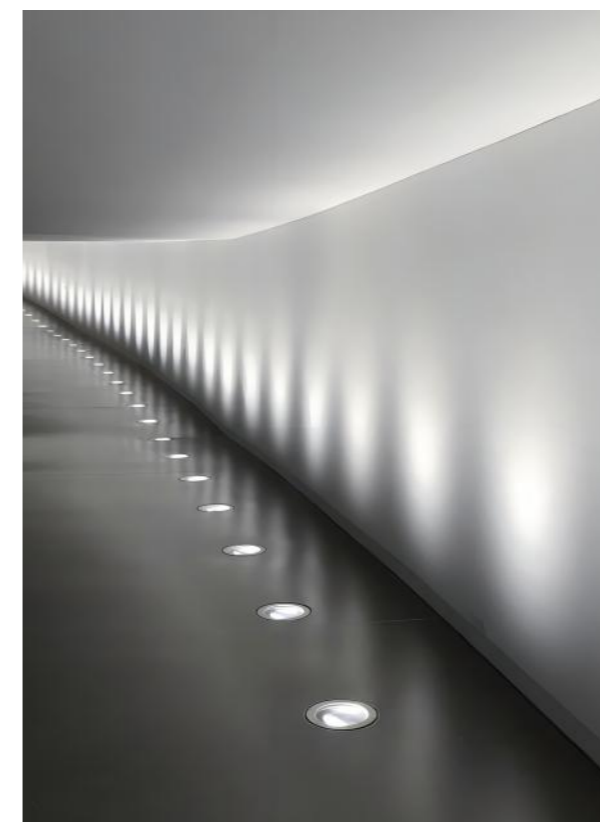
Frame+body Material: SUS316+Aluminium
 Available finishes: Brushed, Polished, Passivated
 Tempered Glass: 8mm ultra-white tempered glass
 LED brand: CREE/OSRAM/NICHIA
 Power Supply: External (CC)/Driver chip on board(CV)
 Installation: Recessed, Ambient temperature -20°C~+45°C
 Cable: Outdoor used rubber cable, 3M length
 Unit Weight: 1.5Kg
 Controls: ON/OFF(Non dim), 0/1-10V, DMX, PWM
 Load Pressure: 2000KG (Static)
 Protection Class: IP67
 Certificate: CE, Rohs, IP, ETL
 (LED)Averaged Lifetime: 50,000hrs

Please refer to pages 283-285 to choose a remote power supply.

Optional Accessory



IP67 rated Waterproof performance	SUS316 Stainless Steel Frame	50000h Long lifetime	2000Kg Static Pressure Loading
---	------------------------------------	-------------------------	--------------------------------------



Parameters

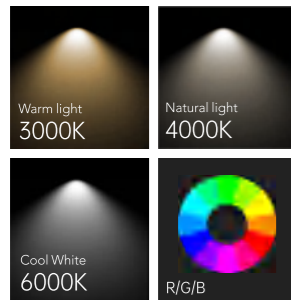
Power(W)	Source flux(lm)	Delivered flux(lm)	Applications	Product Code
8	950	780	IN-GROUND	G5.1928 ± 08
12	1620	1300	IN-GROUND	G5.1928 ± 12
16	1950	1950	IN-GROUND	G5.1928 ± 16

Filter Structure	☀	Power	①	Input	⚡
Regular	01	8W	08	Constant current	0
Frosted glass	02	12W	12	DC24V	2
		16W	16		

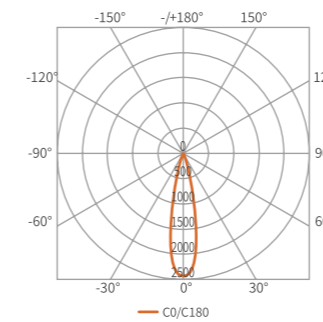
CCT Range	☁	Optics	📐	Controls	⊕
3000K	3	15°	2	Constant current	0
4000K	5	24°	Q	ON/OFF	1
6000K	8	36°	E	DMX512	2
		60°	6	0/1-10V	3
				PWM	6

EU1965H

Recessed In-ground Light

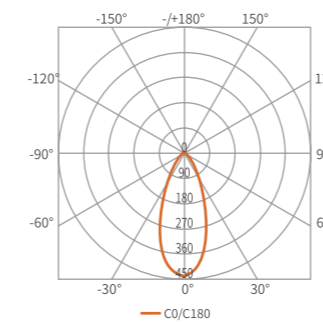


EU1965H 6W 4000K 20°



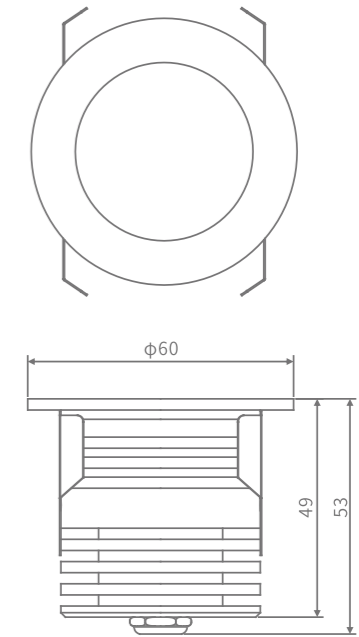
H(m)	Eavg(lx)	Emax(lx)	D(cm)
1	1397	548.1	24.63
2	349.2	243.61	49.26
3	155.2	137	73.89
4	87.29	87.69	98.52
5	55.87	93.98	123.15

EU1965H 6W 4000K 60°

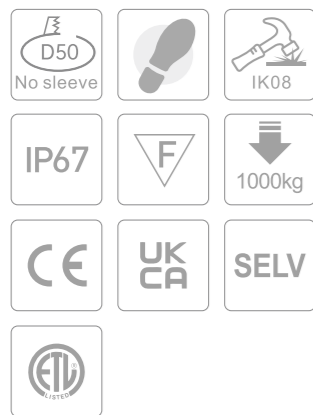


H(m)	Eavg(lx)	Emax(lx)	D(cm)
1	563	869.41	74.93
2	140.7	217.41	149.86
3	62.55	12.141	224.79
4	35.18	96.6	299.72
5	22.52	16.22	374.65

Unit: mm



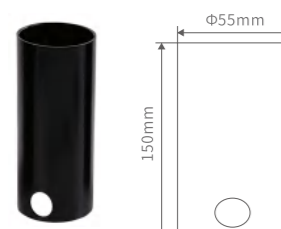
Drill size : D50mm



Frame+body Material: SUS316+Aluminium
 Available finishes: Brushed, Polished, Passivated
 Tempered Glass: 6mm ultra-white tempered glass
 LED brand: CREE/OSRAM/NICHIA
 Power Supply: External (CC)/Driver chip on board(CV)
 Installation: Recessed, Ambient temperature -20°C~ +45°C
 Cable: Outdoor used rubber cable, 3M length
 Unit Weight: 0.43Kg
 Load Pressure: 1000KG (Static)
 Controls: Constant current, ON/OFF
 Protection Class: IP67
 Certificate: CE, Rohs, IP, ETL
 (LED)Averaged Lifetime: 50,000hrs

Please refer to pages 283-285 to choose a remote power supply.

Optional Accessory



IP67 rated Waterproof performance	SUS316 Stainless Steel Frame	50000h Long lifetime	1000Kg Static Pressure Loading
---	------------------------------------	-------------------------	--------------------------------------



Parameters

Power(W)	Source flux(lm)	Delivered flux(lm)	Applications	Product Code
3	300	200	IN-GROUND	G5.1965±03
5	600	360	IN-GROUND	G5.1965±05
6	680	430	IN-GROUND	G5.1965±06

Filter Structure	Power	Input
Frosted glass 02	3W	03 Constant current
Half shaded glass 03	5W	05 DC12V
Honeycomb Louvre 08	6W	06 DC24V
Anti-glare baffle 09		

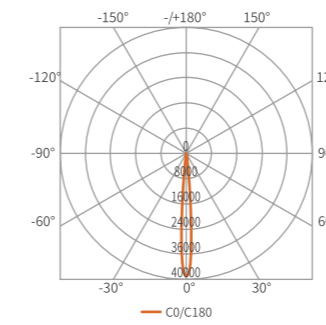
CCT Range	Optics	Controls
3000K	3 20°	3 Constant current
4000K	5 30°	4 ON/OFF
6000K	8 45°	5
	60°	6

EU1968

Recessed In-ground Light

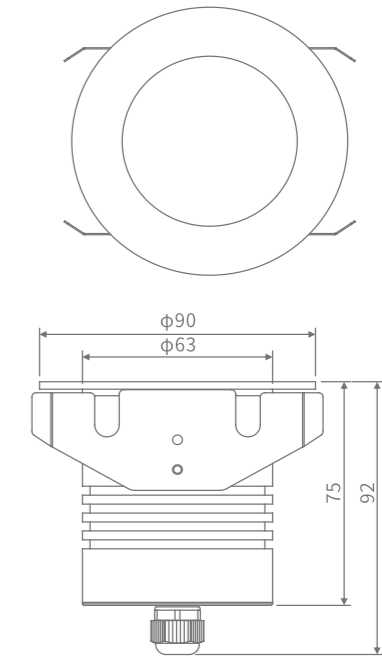


EU1968 7W 4000K 3°

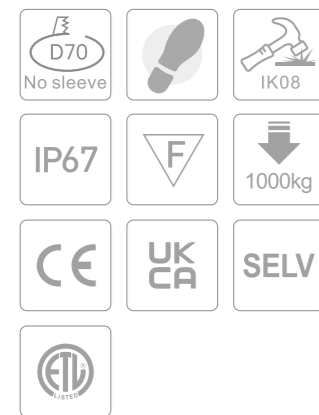


H(m)	Eavg(lx)	Emax(lx)	D(cm)
1	25001	40792	8.57
2	6250	10198.0	17.15
3	2778	4532	25.72
4	1563	2550	34.3
5	1000	1632	42.87

Unit: mm



Drill size: D70mm



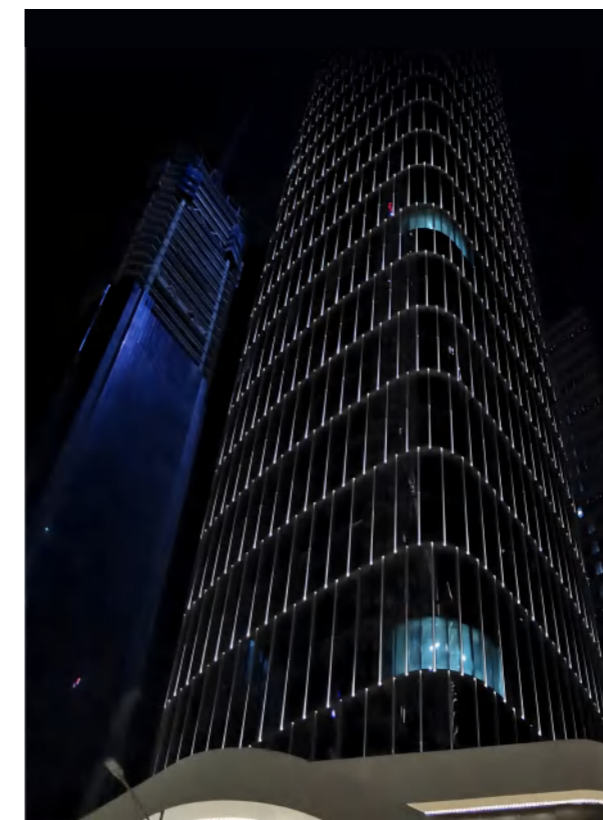
Frame+body Material: SUS316+Aluminium
 Available finishes: Brushed, Polished, Passivated
 Tempered Glass: 5mm ultra-white tempered glass
 LED brand: CREE/OSRAM/NICHIA
 Power Supply: External (CC)/Driver chip on board(CV)
 Installation: Recessed, Ambient temperature -20°C~ +45°C
 Cable: Outdoor used rubber cable, 3M length
 Unit Weight: 0.75Kg
 Load Pressure: 1000KG (Static)
 Controls: ON/OFF, 0/1-10V, DMX, PWM
 Protection Class: IP67
 Certificate: CE, Rohs, IP, ETL
 (LED)Averaged Lifetime: 50,000hrs

Please refer to pages 283-285 to choose a remote power supply.

Optional Accessory



IP67 rated Waterproof performance	SUS316 Stainless Steel Frame	50000h Long lifetime	1000Kg Static Pressure Loading
---	------------------------------------	-------------------------	--------------------------------------



Parameters

Power(W)	Source flux(lm)	Delivered flux(lm)	Applications	Product Code
7	760	550	IN-GROUND	G5.1968±07
9	930	670	IN-GROUND	G5.1968±09

Filter Structure	Power	Input
Frosted glass 02	7W 07	Constant current 0
Half shaded glass 03	9W 09	DC24V 2
Honeycomb Louvre 08		
Anti-glare baffle 09		

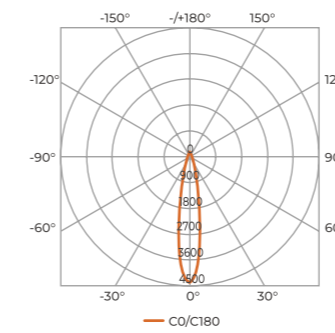
CCT Range	Optics	Controls
3000K 3	3° A	Constant current 0
4000K 5		ON/OFF 1
6000K 8		DMX512 2
		0/1-10V 3
		PWM 6

EU1968B

Recessed In-ground Light

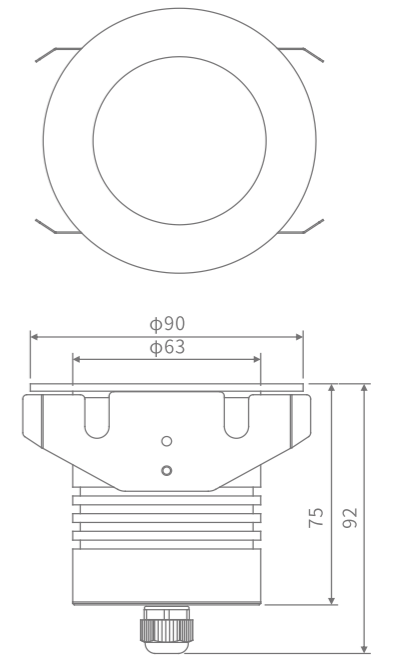


EU1968B 7W 4000K 24°

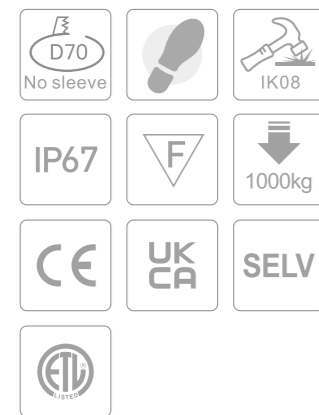


H(m)	Eavg(lx)	Emax(lx)	D(cm)
1	2898	4344	42.57
2	724.6	10861	85.14
3	322	428.6	127.72
4	181.1	271.51	170.29
5	115.9	173.7	212.86

Unit: mm



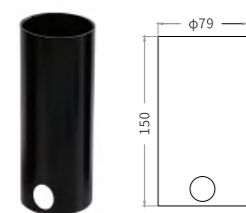
Drill size: D70mm



Frame+body Material: SUS316+Aluminium
 Available finishes: Brushed, Polished, Passivated
 Tempered Glass: 5mm ultra-white tempered glass
 LED brand: CREE/OSRAM/NICHIA
 Power Supply: External (CC)/Driver chip on board(CV)
 Installation: Recessed, Ambient temperature -20°C~ +45°C
 Cable: Outdoor used rubber cable, 3M length
 Unit Weight: 0.75Kg
 Load Pressure: 1000KG (Static)
 Controls: ON/OFF, 0/1-10V, DMX, PWM
 Protection Class: IP67
 Certificate: CE, Rohs, IP, ETL
 (LED)Averaged Lifetime: 50,000hrs

Please refer to pages 283-285 to choose a remote power supply.

Optional Accessory



IP67 rated Waterproof performance	SUS316 Stainless Steel Frame	50000h Long lifetime	1000Kg Static Pressure Loading
---	------------------------------------	-------------------------	--------------------------------------



Parameters

Power(W)	Source flux(lm)	Delivered flux(lm)	Applications	Product Code
7	760	550	IN-GROUND	G5.1968 ± 07
9	930	670	IN-GROUND	G5.1968 ± 09

Filter Structure	Power	Input
Frosted glass 02	7W 07	Constant current 0
Half shaded glass 03	9W 09	DC24V 2
Honeycomb Louvre 08		
Anti-glare baffle 09		

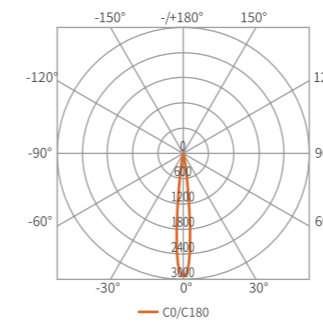
CCT Range	Optics	Controls
3000K 3	15° 2	Constant current 0
4000K 5	24° Q	ON/OFF 1
6000K 8	36° E	DMX512 2
	50° F	0/1-10V 3
		PWM 6

GL117

Recessed In-ground Light

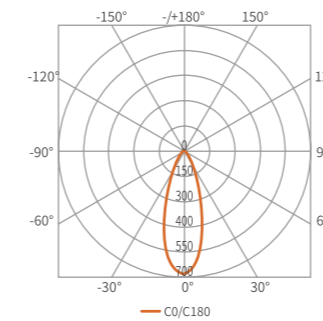


GL117 3W 4000K 10°

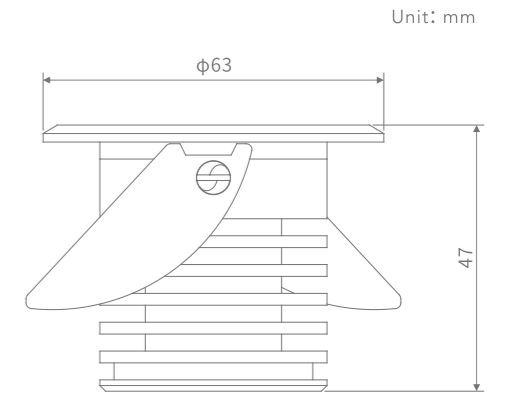


H(m)	Eavg(lx)	Emax(lx)	D(cm)
1	2052	2834	23.16
2	512.9	708.6	46.32
3	228	314.91	69.48
4	128.2	177.2	92.64
5	82.07	113.41	115.8

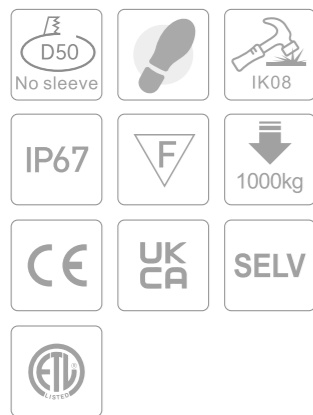
GL117 3W 4000K 40°



H(m)	Eavg(lx)	Emax(lx)	D(cm)
1	469.1	711.1	62.34
2	117.3	177.8	124.68
3	52.12	79.01	187.03
4	29.32	44.44	249.37
5	18.76	28.44	311.71



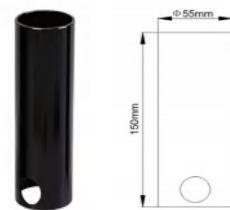
Drill size : D50mm



Frame+body Material: SUS316+Aluminium
 Available finishes: Brushed, Polished, Passivated
 Tempered Glass: 4mm ultra-white tempered glass
 LED brand: CREE/OSRAM/NICHIA
 Power Supply: External (CC)/Driver chip on board(CV)
 Installation: Recessed, Ambient temperature -20°C~ +45°C
 Cable: Outdoor used rubber cable, 1.1M length
 Unit Weight: 0.25Kg
 Load Pressure: 1000KG (Static)
 Controls: ON/OFF, 0/1-10V, DMX, PWM
 Protection Class: IP67
 Certificate: CE, Rohs, IP, ETL
 (LED)Averaged Lifetime: 50,000hrs

Please refer to pages 283-285 to choose a remote power supply.

Optional Accessory



IP67 rated Waterproof performance	SUS316 Stainless Steel Frame	50000h Long lifetime	1000Kg Static Pressure Loading
---	------------------------------------	-------------------------	--------------------------------------



Parameters

Power(W)	Source flux(lm)	Delivered flux(lm)	Applications	Product Code
3	400	300	Unlimited	G5.0117 ±03
5	670	505	Unlimited	G5.0117 ±05

Filter Structure	☀	Power	①	Input	⚡
Regular	01	3W	03	Constant current	0
Frosted glass	02	5W	05	DC12V	1
				DC24V	2

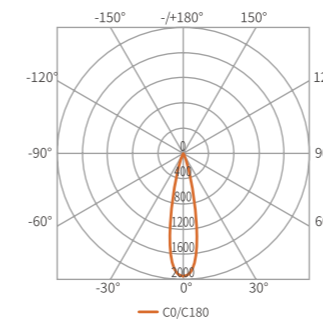
CCT Range	☀	Optics	📐	Controls	⊙
3000K	3	10°	1	Constant current	0
4000K	5	20°	3	ON/OFF	1
6000K	8	40°	C	DMX512	2
		60°	6	0/1-10V	3
				PWM	6

GL130

Recessed In-ground Light

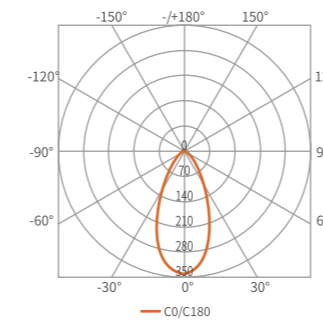


GL130 3W 4000K 20°

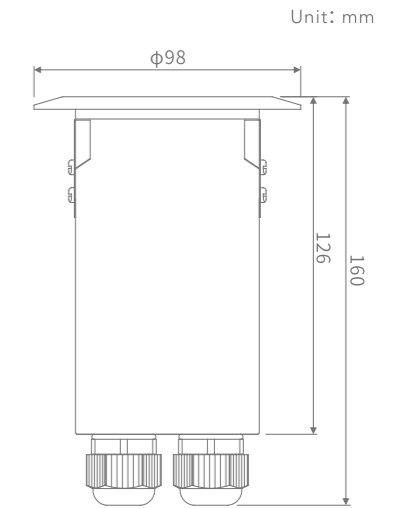


H(m)	Eavg(lx)	Emax(lx)	D(cm)
1	1150	1673	27.63
2	287.4	418.3	55.26
3	127.7	188.9	82.89
4	71.84	104.6	110.52
5	45.98	66.93	138.15

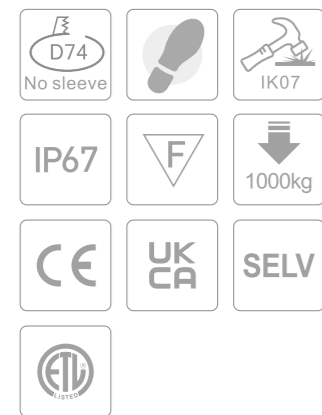
GL130 3W 4000K 60°



H(m)	Eavg(lx)	Emax(lx)	D(cm)
1	140.2	210.2	87.73
2	52.09	78.13	143.92
3	23.15	34.72	215.88
4	13.02	19.53	287.84
5	8.334	12.5	359.79



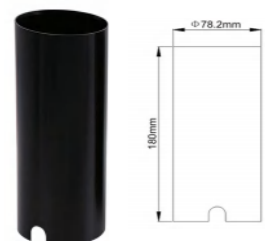
Drill size: D74mm



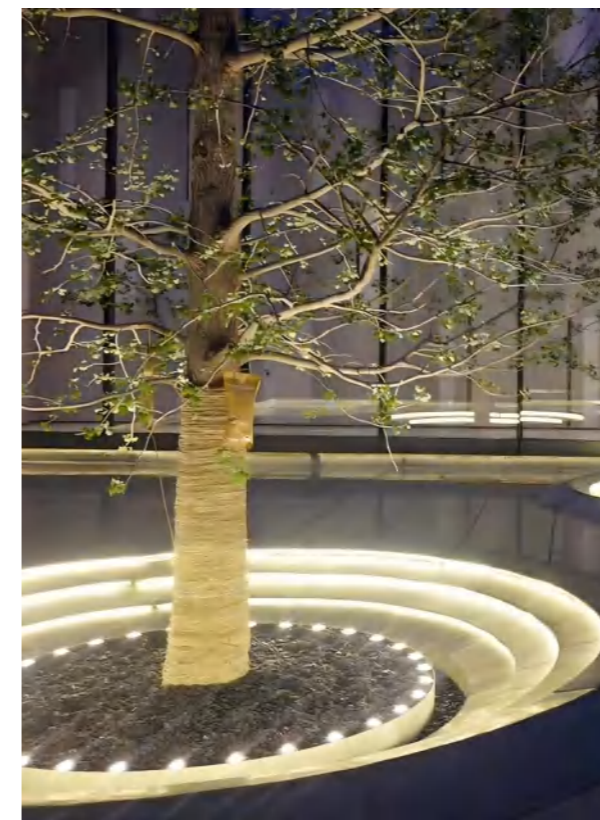
Frame+body Material: SUS316+Aluminium
 Available finishes: Brushed, Polished, Passivated
 Tempered Glass: 4mm ultra-white tempered glass
 LED brand: CREE/OSRAM/NICHIA
 Power Supply: External (CC)/Driver chip on board(CV)
 Installation: Recessed, Ambient temperature -20°C~ +45°C
 Unit Weight: 0.93Kg
 Load Pressure: 1000KG (Static)
 Controls: ON/OFF, 0/1-10V, DMX, PWM
 Protection Class: IP67
 Certificate: CE, Rohs, IP, ETL
 (LED)Averaged Lifetime: 50,000hrs

Please refer to pages 283-285 to choose a remote power supply.

Optional Accessory



IP67 rated Waterproof performance	SUS316 Stainless Steel Frame	50000h Long lifetime	1000Kg Static Pressure Loading
---	------------------------------------	-------------------------	--------------------------------------



Parameters

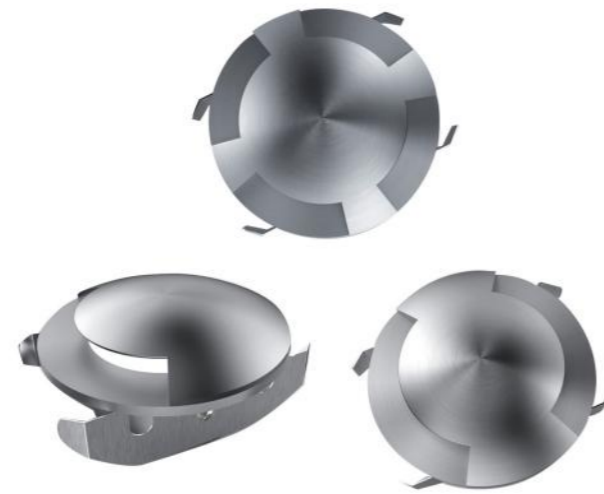
Power(W)	Source flux(lm)	Delivered flux(lm)	Applications	Product Code
3	400	300	Unlimited	G5.0130 ±03
6	800	570	Unlimited	G5.0130 ±06
9	1100	745	Unlimited	G5.0130 ±09

Filter Structure	☀	Power	①	Input	⚡
Regular	01	3W	03	Constant current	0
Frosted glass	02	6W	06	DC12V	1
		9W	09	DC24V	2
				220-240VAC	7

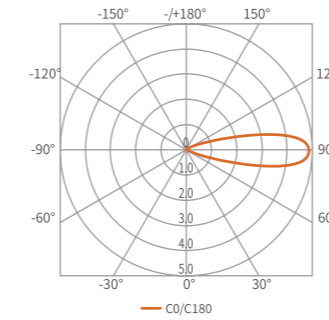
CCT Range	☀	Optics	📐	Controls	⊙
3000K	3	20°	3	Constant current	0
4000K	5	30°	4	ON/OFF	1
6000K	8	45°	5	DMX512	2
		60°	6	0/1-10V PWM	3 6

GL151 GL152 GL154

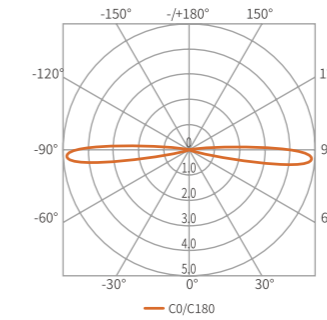
Recessed Pool Underwater Light



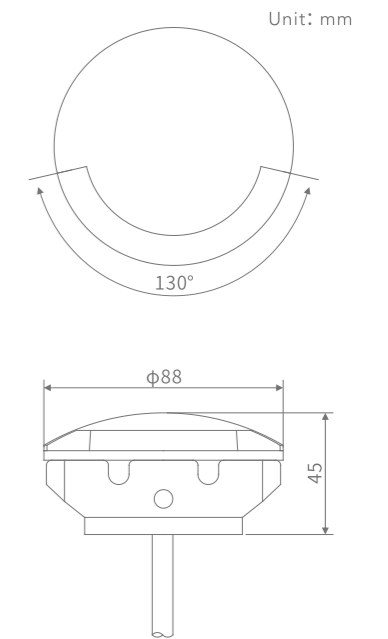
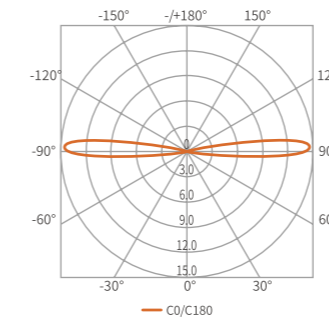
GL151 3W 4000K



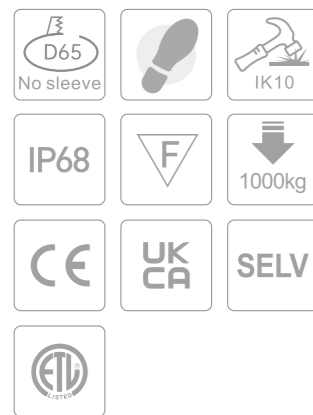
GL152 3W 4000K



GL154 3W 4000K



Drill size: D65mm



Cap+body Material: SUS316+SUS316
 Available finishes: Brushed, Polished, Passivated
 Transmitting material: PC+SS316 Cap.
 LED brand: CREE/OSRAM/NICHIA
 Power Supply: External (CC)/Driver chip on board(CV)
 Installation: Recessed, Ambient temperature -20°C~+45°C
 Cable: Outdoor used rubber cable, 3M length.
 Unit Weight: 0.72Kg
 Load Pressure: 1000KG (Static)
 Controls: ON/OFF, 0/1-10V, DMX, PWM
 Protection Class: IP68
 Certificate: CE, Rohs, IP, ETL
 (LED)Averaged Lifetime: 50,000hrs

Note: The IP68 rated lamp is applicable for underwater and in-ground usage.

Please refer to pages 283-285 to choose a remote power supply.

Optional Accessory



IP68 rated Waterproof performance	SUS316 Entirely Stainless steel	50000h Long lifetime	1000Kg Static Pressure Loading
-----------------------------------	---------------------------------	----------------------	--------------------------------



Parameters

Power(W)	Source flux(lm)	Delivered flux(lm)	Applications	Product Code
3	400	20	Unlimited	G2.0151 ±03 ⚡ ⚡ ⚡ ⚡
6	800	35	Underwater only	G2.0151 ±06 ⚡ ⚡ ⚡ ⚡
3	400	25	Unlimited	G2.0152 ±03 ⚡ ⚡ ⚡ ⚡
6	800	45	Underwater only	G2.0152 ±06 ⚡ ⚡ ⚡ ⚡
3	400	30	Unlimited	G2.0154 ±03 ⚡ ⚡ ⚡ ⚡
6	800	55	Underwater only	G2.0154 ±06 ⚡ ⚡ ⚡ ⚡

Filter Structure	☀	Power	Ⓜ	Input	⚡
Regular	01	3W 6W	03 06	Constant current DC12V DC24V	0 1 2

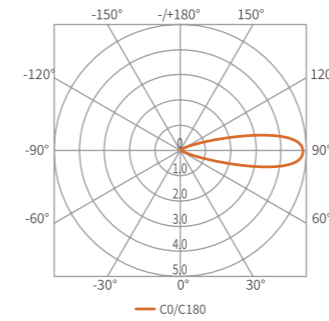
CCT Range	⊗	Optics	📐	Controls	⊙
3000K 4000K 6000K	3 5 8	Special angle Z		Constant current ON/OFF DMX512 0/1-10V PWM	0 1 2 3 6

GL191 GL192 GL193

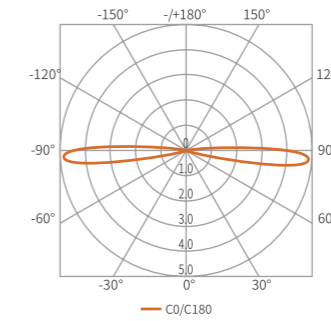
Recessed Pool Underwater Light



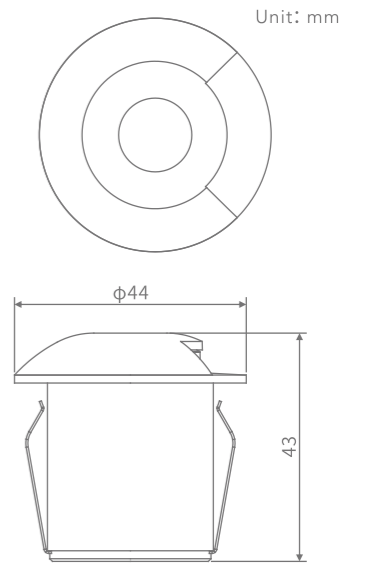
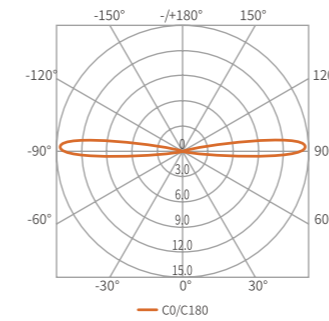
GL191 1W 4000K



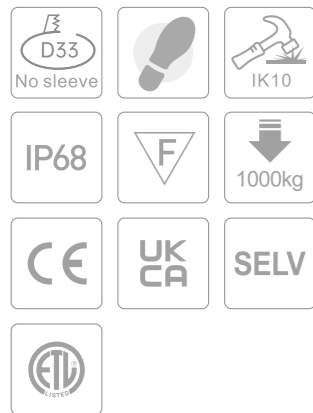
GL192 1W 4000K



GL193 1W 4000K



Drill size: D33mm



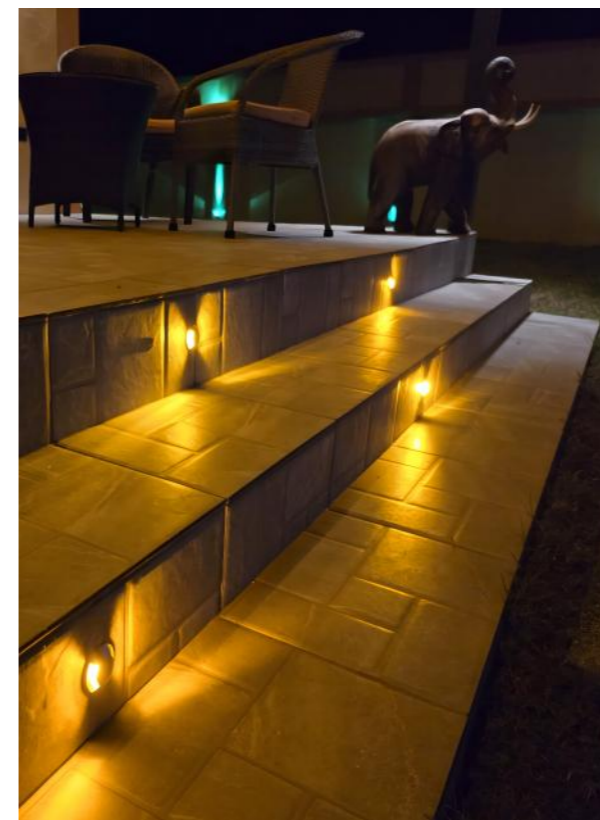
Cap+body Material: SUS316+SUS316
 Available finishes: Brushed, Polished, Passivated
 Transmitting material: PC+SS316 Cap.
 LED brand: CREE/OSRAM/NICHIA
 Power Supply: External (CC)/Driver chip on board(CV)
 Installation: Recessed, Ambient temperature -20°C~+45°C
 Cable: Outdoor used rubber cable, 1.1M length
 Unit Weight: 0.14Kg
 Load Pressure: 1000KG (Static)
 Controls: ON/OFF, 0/1-10V, DMX, PWM
 Protection Class: IP68
 Certificate: CE, Rohs, IP, ETL
 (LED)Averaged Lifetime: 50,000hrs

Note:The IP68 rated lamp is applicable for underwater and in-ground usage.
 Please refer to pages 283-285 to choose a remote power supply.

Optional Accessory



IP68 rated Waterproof performance	SUS316 Entirely Stainless steel	50000h Long lifetime	1000Kg Static Pressure Loading
-----------------------------------	---------------------------------	----------------------	--------------------------------



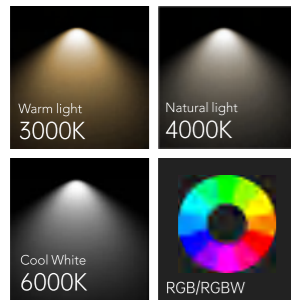
Parameters

Power(W)	Source flux(lm)	Delivered flux(lm)	Applications	Product Code
1	130	10	Unlimited	G2.0191 ±01 ⚡⚡⚡⚡⚡
3	400	20	Unlimited	G2.0191 ±03 ⚡⚡⚡⚡⚡
1	130	20	Unlimited	G2.0192 ±01 ⚡⚡⚡⚡⚡
3	400	55	Unlimited	G2.0192 ±03 ⚡⚡⚡⚡⚡
1	130	25	Unlimited	G2.0193 ±01 ⚡⚡⚡⚡⚡
3	400	65	Unlimited	G2.0193 ±03 ⚡⚡⚡⚡⚡

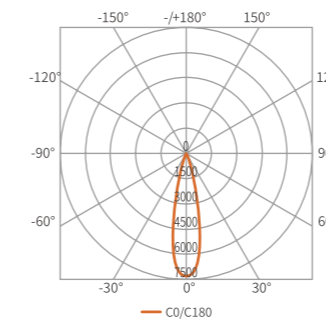
Filter Structure	Power	Input	Controls
Regular	01 1W 03 3W	01 Constant current DC12V 02 DC24V	0 1 2 3 6
CCT Range	Optics	Controls	
3000K 4000K 6000K	3 5 8 Special angle Z	Constant current ON/OFF DMX512 0/1-10V PWM	0 1 2 3 6

GL080

Recessed In-ground Light

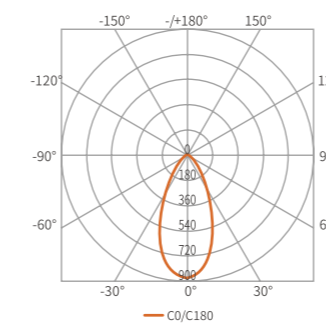


GL080 6W 4000K 10°



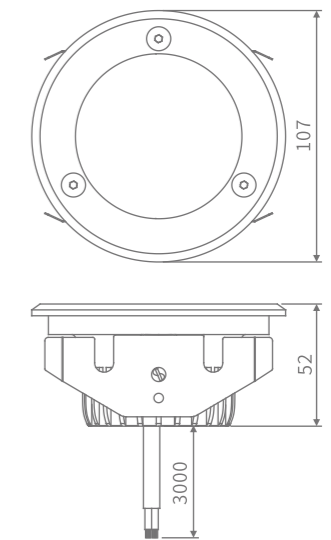
H(m)	Eavg(lx)	Emax(lx)	D(cm)
1	5245	7473	19.66
2	1311	1868	39.33
3	582.8	830.3	58.99
4	327.8	467.1	78.66
5	209.8	298.9	98.32

GL080 6W 4000K 40°

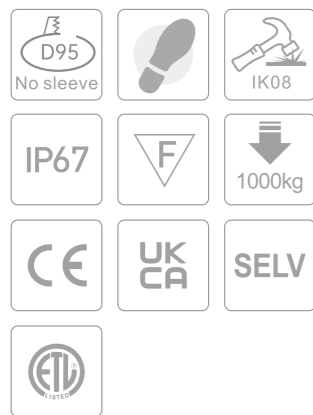


H(m)	Eavg(lx)	Emax(lx)	D(cm)
1	548	853.1	65.71
2	137	213.3	131.42
3	60.89	94.79	197.13
4	34.25	53.32	262.84
5	21.92	34.13	328.55

Unit: mm



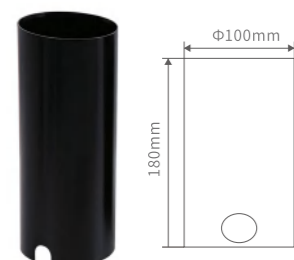
Drill size: D95mm



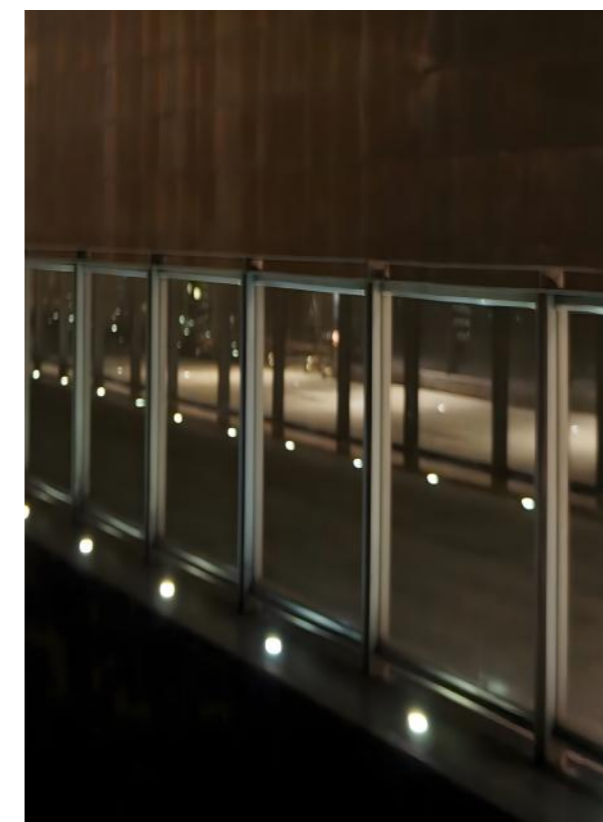
Frame+body Material: SUS316+Aluminium
 Available finishes: Brushed, Polished, Passivated
 Tempered Glass: 8mm ultra-white tempered glass
 LED brand: CREE/OSRAM/NICHIA
 Power Supply: External (CC)/Driver chip on board(CV)
 Installation: Recessed, Ambient temperature -20°C~ +45°C
 Cable: Outdoor used rubber cable, 3M length
 Unit Weight: 1.1Kg
 Load Pressure: 1000KG (Static)
 Controls: ON/OFF, 0/1-10V, DMX, PWM
 Protection Class: IP67
 Certificate: CE, Rohs, IP, ETL
 (LED)Averaged Lifetime: 50,000hrs

Please refer to pages 283-285 to choose a remote power supply.

Optional Accessory



IP67 rated Waterproof performance	SUS316 Stainless Steel Frame	50000h Long lifetime	1000Kg Static Pressure Loading
---	------------------------------------	-------------------------	--------------------------------------



Parameters

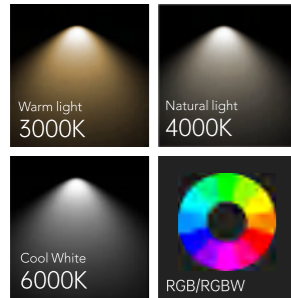
Power(W)	Source flux(lm)	Delivered flux(lm)	Applications	Product Code
3	400	315	IN-GROUND	G5.0080 ±03
6	770	650	IN-GROUND	G5.0080 ±06
9	1100	920	IN-GROUND	G5.0080 ±09

Filter Structure	☀	Power	①	Input	⚡
Regular	01	3W	03	Constant current	0
Frosted glass	02	6W	06	DC12V	1
		9W	09	DC24V	2

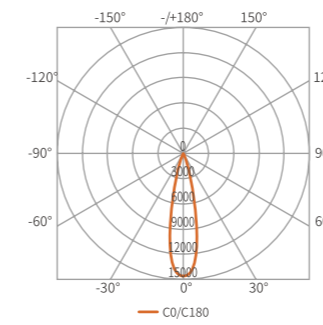
CCT Range	☀	Optics	📐	Controls	⊙
3000K	3	10°	1	Constant current	0
4000K	5	40°	C	ON/OFF	1
6000K	8	120°	7	DMX512	2
RGB	D			0/1-10V	3
RGBW	H			PWM	6

GL120

Recessed In-ground Light

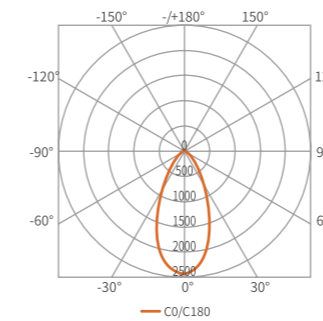


GL120 13W 4000K 20°

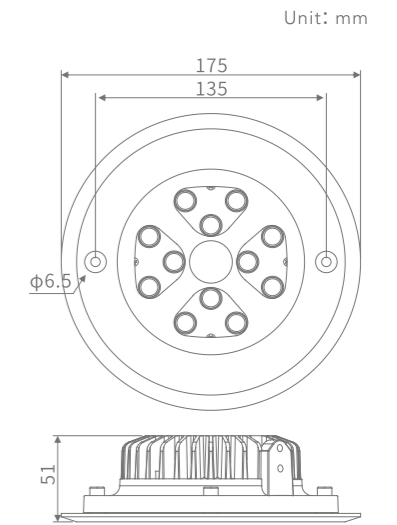


H(m)	Eavg(lx)	Emax(lx)	D(cm)
1	10238	13789	23.74
2	2559	3447	47.49
3	1138	1532	71.23
4	639.9	861.8	94.98
5	409.5	551.6	118.72

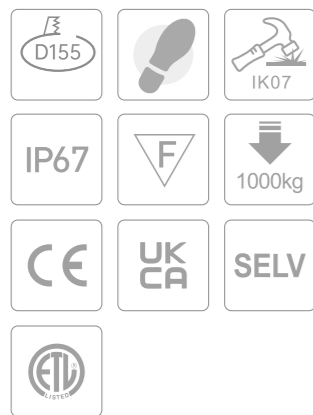
GL120 13W 4000K 40°



H(m)	Eavg(lx)	Emax(lx)	D(cm)
1	1526	2370	67.73
2	381.5	592.6	135.46
3	169.6	263.4	203.18
4	95.38	148.2	270.91
5	61.04	94.82	338.64



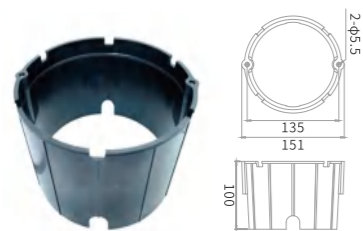
Drill size: D155mm



Frame+body Material: SUS316+Aluminium
 Available finishes: Brushed, Polished, Passivated
 Tempered Glass: 10mm ultra-white tempered glass
 LED brand: CREE/OSRAM/NICHIA
 Power Supply: External (CC)/Driver chip on board(CV)
 Installation: Recessed, Ambient temperature -20°C~ +45°C
 Cable: Outdoor used rubber cable, 3M length
 Unit Weight: 1.91Kg
 Load Pressure: 1000KG (Static)
 Controls: ON/OFF, 0/1-10V, DMX, PWM
 Protection Class: IP67
 Certificate: CE, Rohs, IP, ETL
 (LED)Averaged Lifetime: 50,000hrs

Please refer to pages 283-285 to choose a remote power supply.

Optional Accessory



IP67 rated Waterproof performance	SUS316 Stainless Steel Frame	50000h Long lifetime	1000Kg Static Pressure Loading
---	------------------------------------	-------------------------	--------------------------------------



Parameters

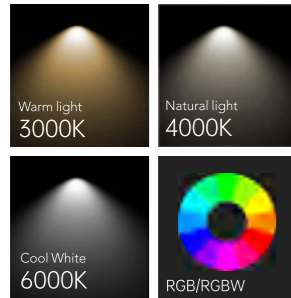
Power(W)	Source flux(lm)	Delivered flux(lm)	Applications	Product Code
13	1550	1300	IN-GROUND	G5.0120±13
20	2200	1850	IN-GROUND	G5.0120±20

Filter Structure	Power	Input
Regular	01 13W	13 Constant current
Frosted glass	02 20W	20 DC12V
Opla plate	06	DC24V

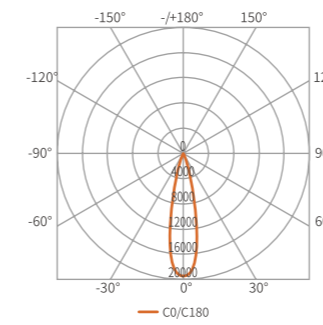
CCT Range	Optics	Controls
3000K	3 20°	3 Constant current
4000K	5 45°	5 ON/OFF
6000K	8 60°	6 DMX512
RGB	D 120°	7 0/1-10V
RGBW	H	8 PWM

GL180

Recessed In-ground Light

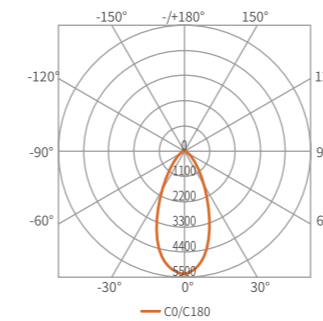


GL180 20W 4000K 20°



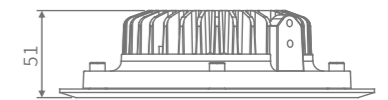
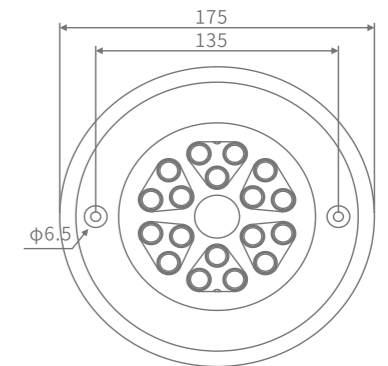
H(m)	Eavg(lx)	Emax(lx)	D(cm)
1	11801	163.02	23.11
2	2950	4076	46.22
3	1311	1811	69.32
4	737.6	1019	92.43
5	472.1	652.1	115.54

GL180 20W 4000K 40°

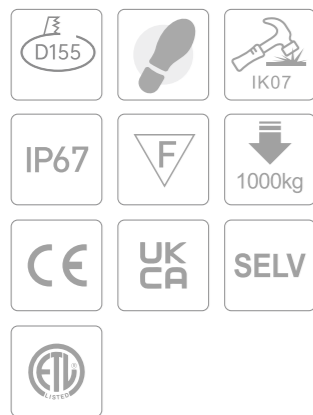


H(m)	Eavg(lx)	Emax(lx)	D(cm)
1	3532	5243	51.96
2	883	1311	103.91
3	392.5	582.5	155.87
4	202.8	327.7	207.82
5	141.3	209.7	259.78

Unit: mm



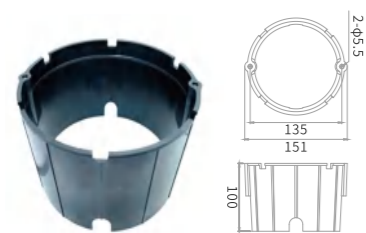
Drill size: D155mm



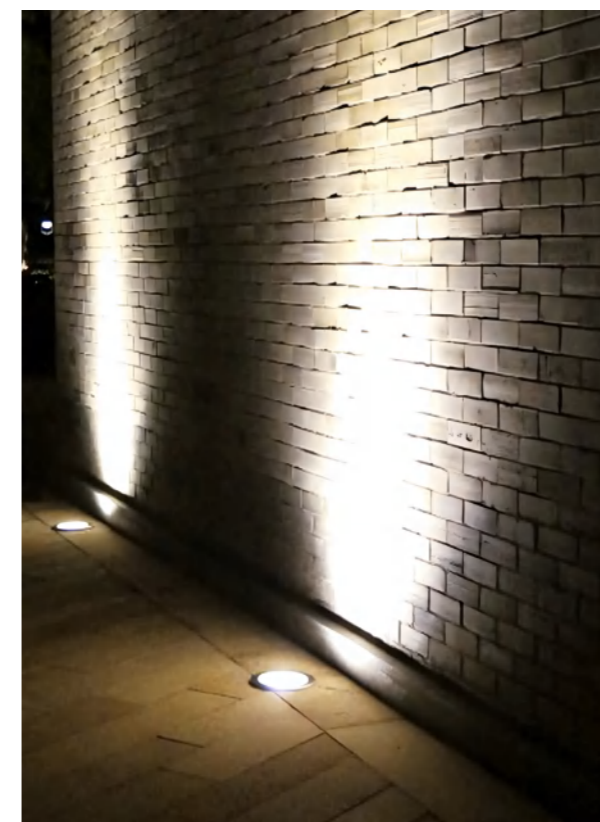
Frame+body Material: SS316+Aluminium
 Available finishes: Brushed, Polished, Passivated
 Tempered Glass: 10mm ultra-white tempered glass
 LED brand: CREE/OSRAM/NICHIA
 Power Supply: External (CC)/Driver chip on board(CV)
 Installation: Recessed, Ambient temperature -20°C~ +45°C
 Cable: Outdoor used rubber cable, 3M length
 Unit Weight: 1.91Kg
 Load Pressure: 1000KG (Static)
 Controls: ON/OFF, 0/1-10V, DMX, PWM
 Protection Class: IP67
 Certificate: CE, Rohs, IP, ETL
 (LED)Averaged Lifetime: 50,000hrs

Please refer to pages 283-285 to choose a remote power supply.

Optional Accessory



IP67 rated Waterproof performance	SUS316 Stainless Steel Frame	50000h Long lifetime	1000Kg Static Pressure Loading
---	------------------------------------	-------------------------	--------------------------------------



Parameters

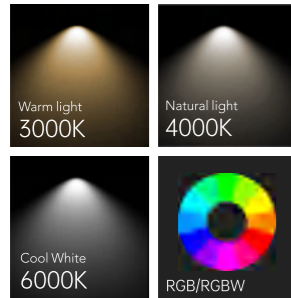
Power(W)	Source flux(lm)	Delivered flux(lm)	Applications	Product Code
20	2500	2150	IN-GROUND	G5.0180 ± 20W 4000K 20°

Filter Structure	☀	Power	①	Input	⚡
Regular	01	20W	20	Constant current	0
Frosted glass	02			DC12V	1
Opla plate	06			DC24V	2

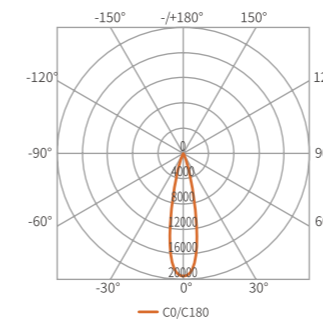
CCT Range	☁	Optics	📐	Controls	⊙
3000K	3	20°	3	Constant current	0
4000K	5	45°	5	ON/OFF	1
6000K	8	60°	6	DMX512	2
RGB	D	120°	7	0/1-10V	3
RGBW	H			PWM	6

GL240

Recessed In-ground Light

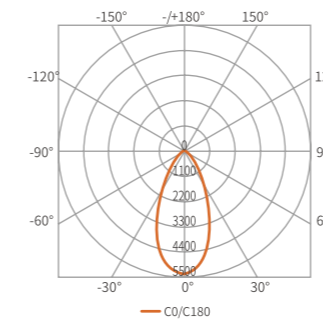


GL240 24W 4000K 20°

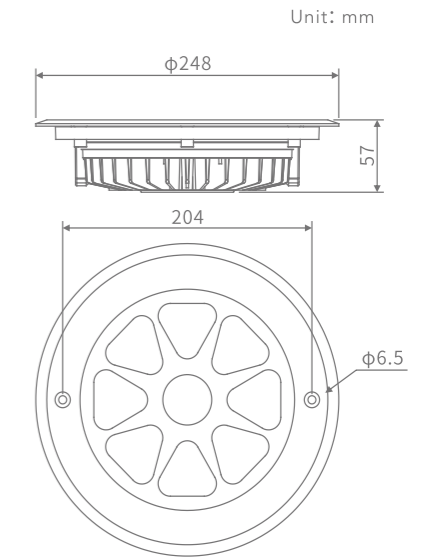


H(m)	Eavg(lx)	Emax(lx)	D(cm)
1	1660	2488	25.69
2	414.9	622	51.39
3	184.4	276.4	77.08
4	103.7	155.5	102.78
5	66.39	99.52	128.47

GL240 24W 4000K 60°



H(m)	Eavg(lx)	Emax(lx)	D(cm)
1	185.4	281	84.83
2	46.35	70.25	169.66
3	20.6	31.22	254.49
4	11.59	17.56	339.32
5	7.415	11.24	424.15



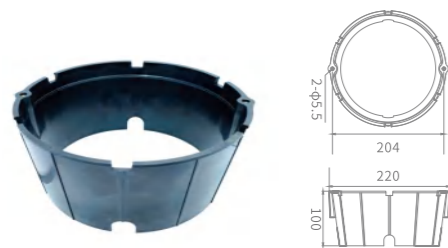
Drill size: D225mm



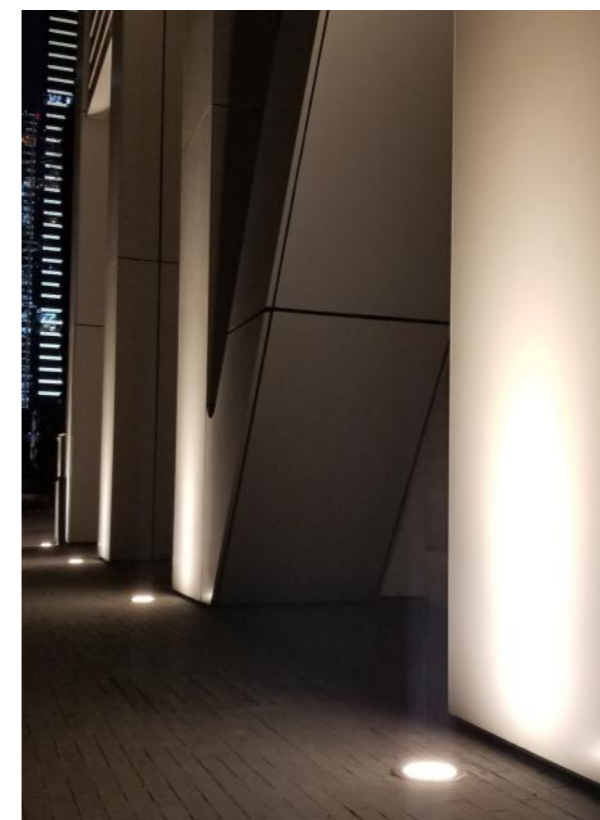
Frame+body Material: SUS316+Aluminium
 Available finishes: Brushed, Polished, Passivated
 Tempered Glass: 12mm ultra-white tempered glass
 LED brand: CREE/OSRAM/NICHIA
 Power Supply: External (CC)/Driver chip on board(CV)
 Installation: Recessed, Ambient temperature -20°C~ +45°C
 Cable: Outdoor used rubber cable, 3M length
 Unit Weight: 3.47Kg
 Load Pressure: 1000KG (Static)
 Controls: ON/OFF, 0/1-10V, DMX, PWM
 Protection Class: IP67
 Certificate: CE, Rohs, IP, ETL
 (LED)Averaged Lifetime: 50,000hrs

Please refer to pages 283-285 to choose a remote power supply.

Optional Accessory



IP67 rated Waterproof performance	SUS316 Stainless Steel Frame	50000h Long lifetime	1000Kg Static Pressure Loading
---	------------------------------------	-------------------------	--------------------------------------



Parameters

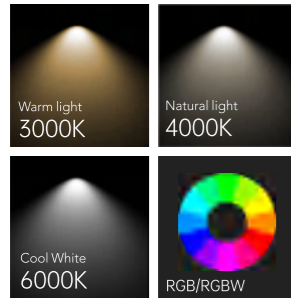
Power(W)	Source flux(lm)	Delivered flux(lm)	Applications	Product Code
24	3100	2600	IN-GROUND	G5.0240 ± 24
36	4000	3400	IN-GROUND	G5.0240 ± 36

Filter Structure	☀	Power	①	Input	⚡
Regular	01	24W	24	Constant current	0
Frosted glass	02	36W	36	DC12V	1
Opla plate	06			DC24V	2

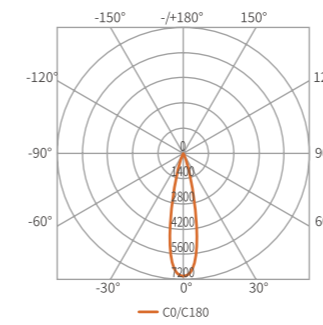
CCT Range	⊗	Optics	📐	Controls	⊕
3000K	3	20°	3	Constant current	0
4000K	5	30°	4	ON/OFF	1
6000K	8	45°	5	DMX512	2
RGB	D	60°	6	0/1-10V	3
RGBW	H	120°	7	PWM	6

GL310

Recessed In-ground Light

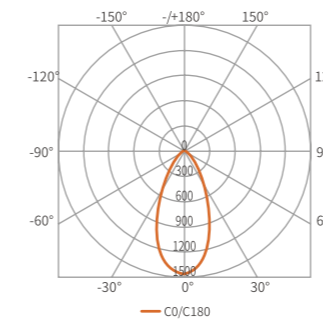


GL310 12W 4000K 20°

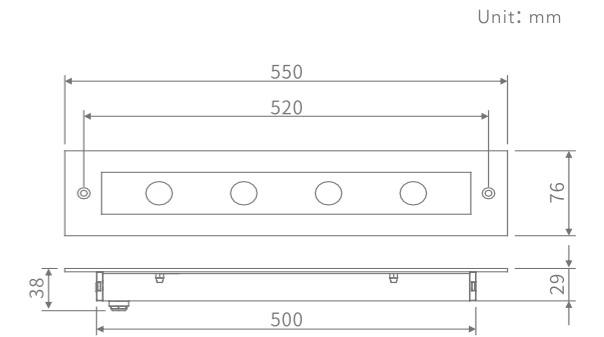


H(m)	Eavg(lx)	Emax(lx)	D(cm)
1	1150	1673	27.63
2	287.4	418.3	55.26
3	127.7	188.9	82.89
4	71.84	104.6	110.52
5	45.98	66.93	138.15

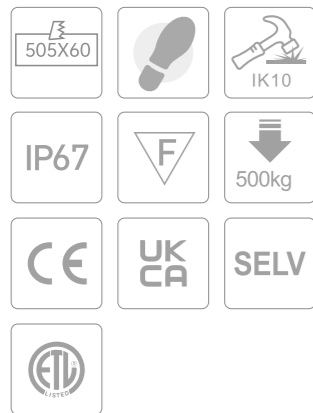
GL310 12W 4000K 60°



H(m)	Eavg(lx)	Emax(lx)	D(cm)
1	140.2	210.2	87.73
2	52.09	78.13	143.92
3	23.15	34.72	215.88
4	13.02	19.53	287.84
5	8.334	12.5	359.79



Drill size: 505x60mm



Frame+body Material: SUS316+Aluminium
 Available finishes: Brushed, Polished, Passivated
 Tempered Glass: 6mm ultra-white tempered glass
 LED brand: CREE/OSRAM/NICHIA
 Power Supply: External (CC)/Driver chip on board(CV)
 Installation: Recessed, Ambient temperature -20°C~ +45°C
 Cable: Outdoor used rubber cable, 0.5M length
 Unit Weight: 3.47Kg
 Load Pressure: 500KG (Static)
 Controls: ON/OFF, 0/1-10V, DMX, PWM
 Protection Class: IP67
 Certificate: CE, Rohs, IP, ETL
 (LED)Averaged Lifetime: 50,000hrs

Please refer to pages 283-285 to choose a remote power supply.

IP67 rated Waterproof performance	SUS316 Stainless Steel Frame	50000h Long lifetime	500Kg Static Pressure Loading
---	------------------------------------	-------------------------	-------------------------------------



Parameters

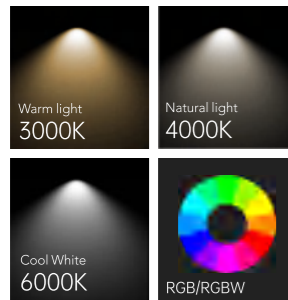
Power(W)	Source flux(lm)	Delivered flux(lm)	Applications	Product Code
12	1500	1200	IN-GROUND	L5.0310 ±12
24	3100	2500	IN-GROUND	L5.0310 ±24
36	4100	3300	IN-GROUND	L5.0310 ±36
48	5900	4700	IN-GROUND	L5.0310 ±48

Filter Structure	☀	Power	①	Input	⚡
Regular	01	12W	12	Constant current	0
Frosted glass	02	24W	24	DC12V	1
Opla plate	06	36W 48W	36 48	DC24V	2

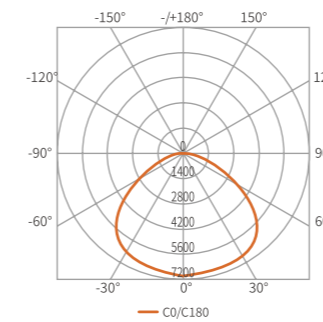
CCT Range	⊗	Optics	📐	Controls	⊕
3000K	3	20°	3	Constant current	0
4000K	5	30°	4	ON/OFF	1
6000K	8	45°	5	DMX512	2
RGB	D	60°	6	0/1-10V	3
RGBW	H	120°	7	PWM	6

EU1953

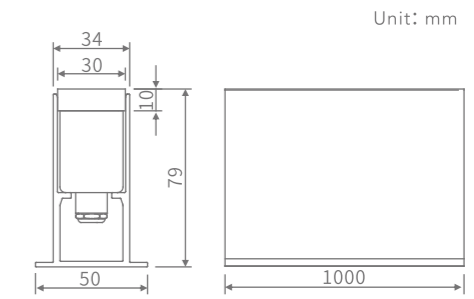
Recessed In-ground Light



RU1953 12W 4000K 120°



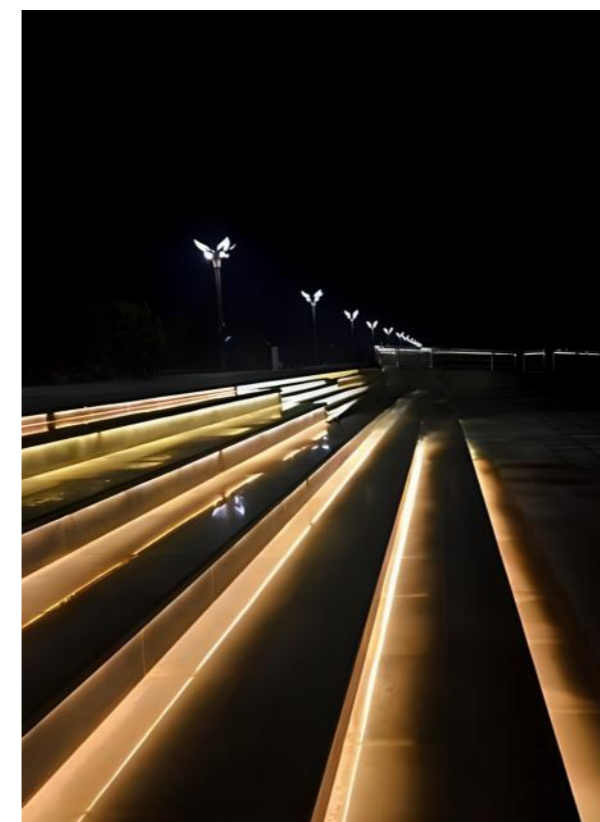
H(m)	Eavg(lx)	Emax(lx)	D(cm)
1	20.6	63.47	285.79
2	5.151	15.87	571.58
3	2.289	7.052	857.36
4	1.288	3.967	1143.15
5	0.8242	2.539	1428.94



Body Material: SUS316
Available finishes: Brushed, Polished, Passivated
Tempered Glass: 15mm ultra-white tempered glass
LED brand: CREE/OSRAM/NICHIA
Power Supply: External (CC)/Driver chip on board(CV)
Installation: Recessed, Ambient temperature -20°C~ +45°C
Cable: Outdoor used rubber cable, 0.5M length
Unit Weight: 3.0Kg
Load Pressure: 1000KG (Static)
Controls: ON/OFF, PWM
Protection Class: IP67
Certificate: CE, Rohs, IP, ETL
(LED)Averaged Lifetime: 50,000hrs

Please refer to pages 283-285 to choose a remote power supply.

IP67 rated Waterproof performance	SUS316 Stainless Steel Body	50000h Long lifetime	1000Kg Static Pressure Loading
---	-----------------------------------	-------------------------	--------------------------------------



Parameters

Power(W)	Source flux(lm)	Delivered flux(lm)	Applications	Product Code
08	1000	150	IN-GROUND	L2.1953 ± 08 ⚡ ⚡ ⚡ ⚡
12	1450	220	IN-GROUND	L2.1953 ± 12 ⚡ ⚡ ⚡ ⚡
16	2000	290	IN-GROUND	L2.1953 ± 16 ⚡ ⚡ ⚡ ⚡
24	2800	450	IN-GROUND	L2.1953 ± 24 ⚡ ⚡ ⚡ ⚡

Filter Structure	☀	Power	①	Input	⚡
Regular	01	08W	08	Constant current	0
Glass Silked white+Frosted	02	12W 16W 24W	12 16 24	DC12V DC24V	1 2

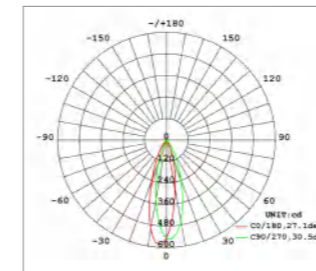
CCT Range	⊗	Optics	📐	Controls	⊕
3000K 4000K 6000K	3 5 8	120°	7	Constant current ON/OFF PWM	0 1 6
RGB RGBW	D H				

EU1947

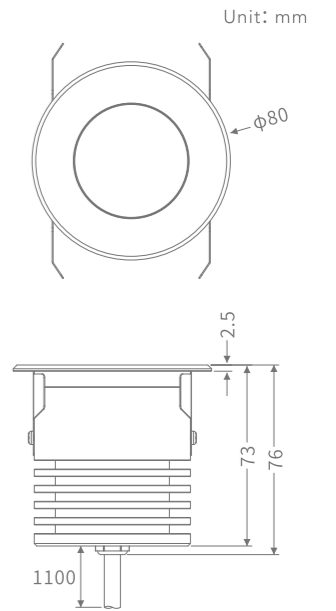
Recessed In-ground Light



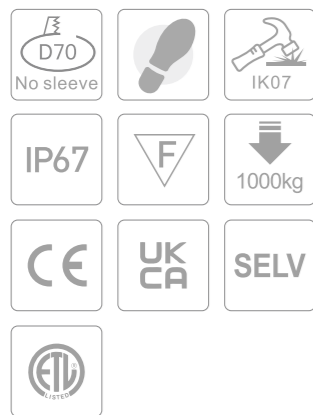
EU1947 7W 3000K 45° Half-shaded glass



H(m)	Eavg(lx)	Emax(lx)	D(cm)
1	386.5	577.4	42.28
2	96.63	144.3	95.56
3	42.95	64.15	144.85
4	24.16	36.09	193.13
5	15.16	23.10	241.41



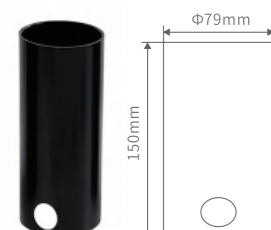
Drill size: D70mm



Frame+body Material: SUS316+Aluminium
 Available finishes: Brushed, Polished, Passivated
 Tempered Glass: 8mm ultra-white tempered glass
 LED brand: CREE/OSRAM/NICHIA
 Power Supply: External (CC)/Driver chip on board(CV)
 Installation: Recessed, Ambient temperature -20°C~+45°C
 Cable: Outdoor used rubber cable, 1.1M length
 Unit Weight: 0.73Kg
 Load Pressure: 1000KG (Static)
 Controls: Constant Current, ON/OFF(Non dim)
 Protection Class: IP67
 Certificate: CE, Rohs, IP, ETL
 (LED)Averaged Lifetime: 50,000hrs

Please refer to pages 283-285 to choose a remote power supply.

Optional Accessory



IP67 rated Waterproof performance	SUS316 Stainless Steel Frame	50000h Long lifetime	1000Kg Static Pressure Loading
---	------------------------------------	-------------------------	--------------------------------------



Parameters

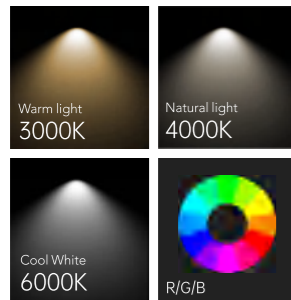
Power(W)	Source flux(lm)	Delivered flux(lm)	Applications	Product Code
5	550	420	IN-GROUND	G5.1947 ±05 ⚡⚡⚡⚡⚡
7	700	530	IN-GROUND	G5.1947 ±07 ⚡⚡⚡⚡⚡

Filter Structure	☀️	Power	Ⓜ️	Input	⚡
Regular	01	5W	05	Constant current	0
Frosted glass	02	7W	07	DC24V	2
Half shaded glass	03				
Honeycomb Louvre	08				

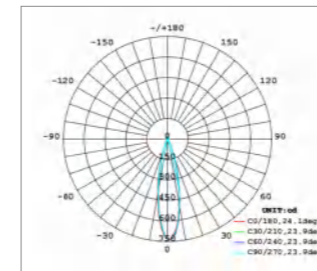
CCT Range	🌈	Optics	📐	Controls	Ⓜ️
3000K	3	10°	1	Constant current	0
4000K	5	45°	5	ON/OFF	1
6000K	8				

EU1948

Recessed In-ground Light

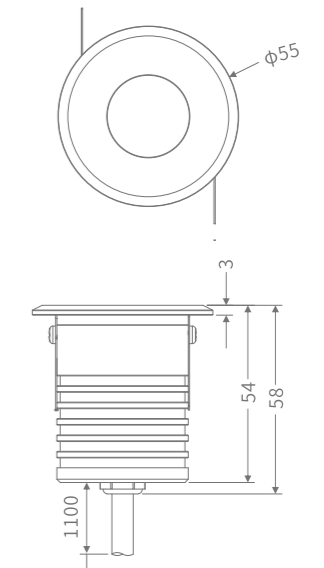


EU1948 3W 3000K 25°

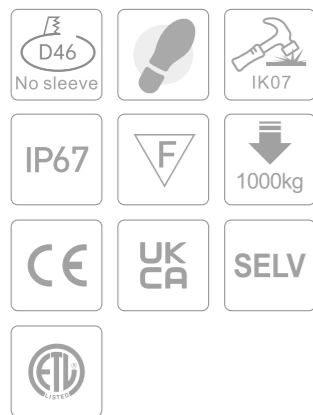


H(m)	Eavg(lx)	Emax(lx)	D(cm)
1	505.4	734.8	42.39
2	126.3	183.7	84.78
3	56.15	81.65	127.17
4	31.59	45.93	169.56
5	20.22	29.39	211.95

Unit: mm



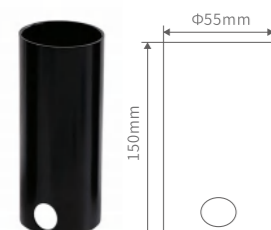
Drill size: D46mm



Frame+body Material: SUS316+Aluminium
 Available finishes: Brushed, Polished, Passivated
 Tempered Glass: 4mm ultra-white tempered glass
 LED brand: CREE/OSRAM/NICHIA
 Power Supply: External (CC)/Driver chip on board(CV)
 Installation: Recessed, Ambient temperature -20°C~ +45°C
 Cable: Outdoor used rubber cable, 1.1M length
 Unit Weight: 0.35Kg
 Load Pressure: 1000KG (Static)
 Controls: Constant Current, ON/OFF(Non dim)
 Protection Class: IP67
 Certificate: CE, Rohs, IP, ETL
 (LED)Averaged Lifetime: 50,000hrs

Please refer to pages 283-285 to choose a remote power supply.

Optional Accessory



IP67 rated Waterproof performance	SUS316 Stainless Steel Frame	50000h Long lifetime	1000Kg Static Pressure Loading
---	------------------------------------	-------------------------	--------------------------------------



Parameters

Power(W)	Source flux(lm)	Delivered flux(lm)	Applications	Product Code
2	180	130	IN-GROUND	G5.1948 ±02
3	300	220	IN-GROUND	G5.1948 ±03

Filter Structure	Power	Input
Regular	01	02
Frosted glass	02	03
Half shaded gals	03	
Honeycomb Louvre	08	

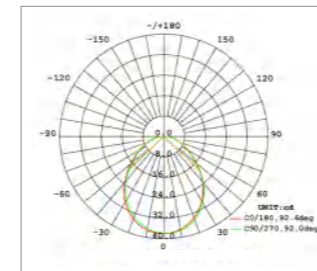
CCT Range	Optics	Controls
3000K	3	0
4000K	5	1
6000K	8	

EU1967

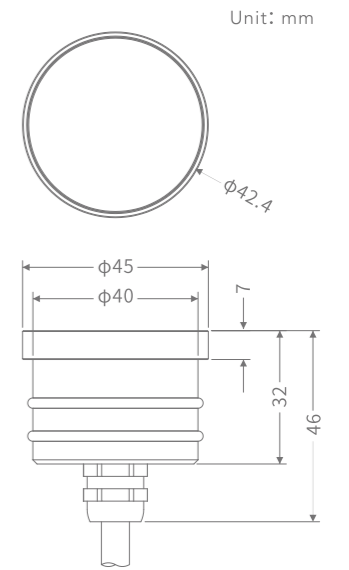
Recessed In-ground Light



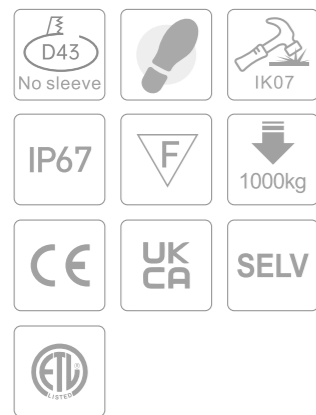
EU1967 2W 3000K 120°



H(m)	Eavg(lx)	Emax(lx)	D(cm)
1	16.11	37.95	207.01
2	4.026	9.488	414.02
3	1.790	4.217	621.02
4	1.007	2.372	828.03
5	0.6442	1.515	1035.04



Drill size : D42



Body Material: Aluminium
 Available finishes: Anodized
 Tempered Glass: 5mm ultra-white tempered glass
 LED brand: CREE/OSRAM/NICHIA
 Power Supply: External (CC)/Driver chip on board(CV)
 Installation: Recessed, Ambient temperature -20°C~+45°C
 Cable: Outdoor used rubber cable, 1.1M length
 Unit Weight: 0.2Kg
 Load Pressure: 1000KG (Static)
 Controls: Constant Current, ON/OFF(Non dim), PWM
 Protection Class: IP67
 Certificate: CE, Rohs, IP, ETL
 (LED)Averaged Lifetime: 50,000hrs

Please refer to pages 283-285 to choose a remote power supply.

Optional Accessory



IP67 rated Waterproof performance	50000h Long lifetime	1000Kg Static Pressure Loading
---	-------------------------	--------------------------------------



Parameters

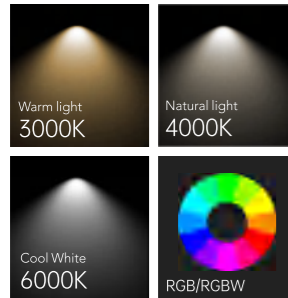
Power(W)	Source flux(lm)	Delivered flux(lm)	Applications	Product Code
2	180	110	IN-GROUND	G5.1967 ±02
3	300	160	IN-GROUND	G5.1967 ±03

Filter Structure	☀	Power	①	Input	⚡
Regular	01	2W	02	Constant current	0
Glass Silked white+Frosted	27	3W	03	DC12V DC24V	1 2

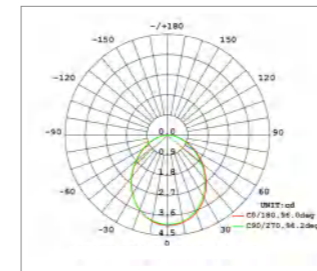
CCT Range	☁	Optics	📐	Controls	⊙
3000K	3	120°	7	Constant current	0
4000K	5			ON/OFF	1
6000K	8			PWM	6

EU1958

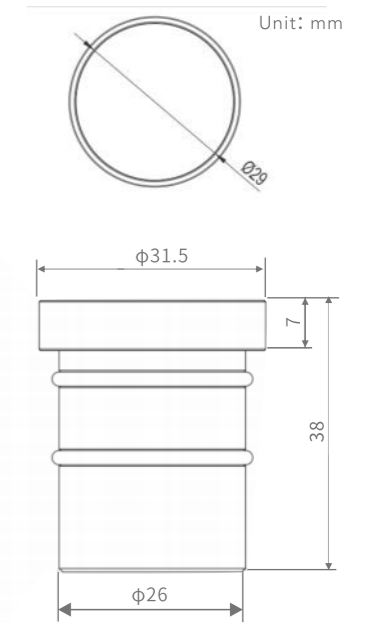
Recessed In-ground Light



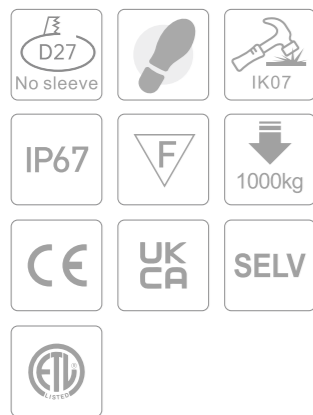
EU1958 1W RGBW 120°



H(m)	Eavg(lx)	Emax(lx)	D(cm)
1	1.590	4.050	219.86
2	0.3975	1.013	439.72
3	0.1766	0.4500	621.02
4	0.0994	0.2531	879.45
5	0.0636	0.1620	1099.31



Drill size: D27mm



Frame+body Material: Aluminium
 Available finishes: Anodized
 Tempered Glass: 5mm ultra-white tempered glass
 LED brand: CREE/OSRAM/NICHIA
 Power Supply: External (CC)/Driver chip on board(CV)
 Installation: Recessed, Ambient temperature -20°C~+45°C
 Cable: Outdoor used rubber cable, 1.1M length
 Unit Weight: 0.2Kg
 Load Pressure: 1000KG (Static)
 Controls: Constant Current, ON/OFF(Non dim), DMX, PWM
 Protection Class: IP67
 Certificate: CE, Rohs, IP, ETL
 (LED)Averaged Lifetime: 50,000hrs

Please refer to pages 283-285 to choose a remote power supply.

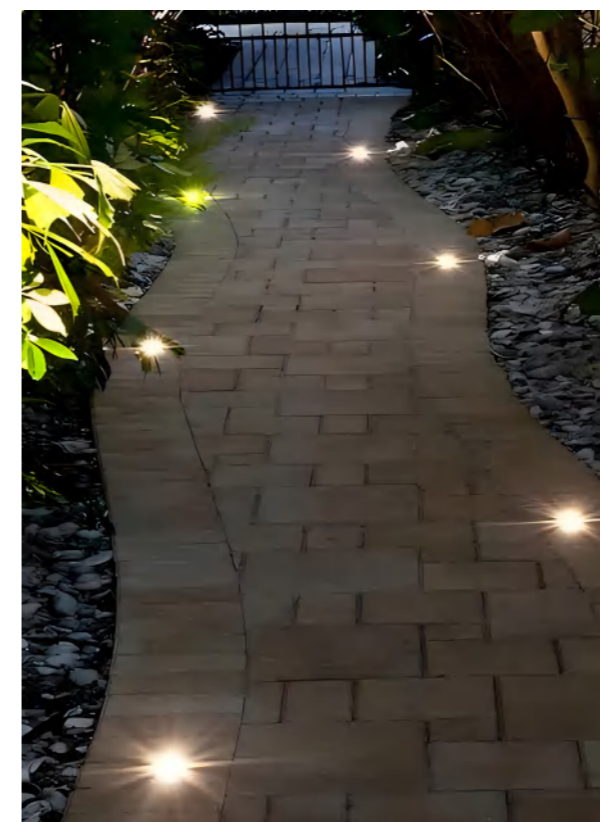
Optional Accessory



IP67 rated
Waterproof
performance

50000h
Long lifetime

1000Kg
Static Pressure
Loading



Parameters

Power(W)	Source flux(lm)	Delivered flux(lm)	Applications	Product Code
1	130	60	IN-GROUND	G5.1958 ±01
2	180	110	IN-GROUND	G5.1958 ±02

Filter Structure	☀	Power	①	Input	⚡
Regular	01	1W	01	Constant current	0
Glass Silked white+Frosted	27	2W	02	DC12V DC24V	1 2

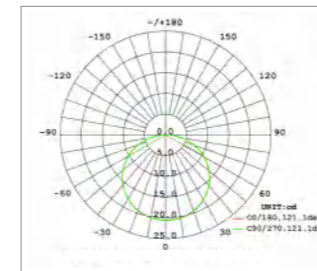
CCT Range	☁	Optics	📐	Controls	⊙
3000K	3	120°	7	Constant current	0
4000K	5			ON/OFF	1
6000K	8			DMX	2
RGB	D			PWM	6
RGBW	H				

EU1959

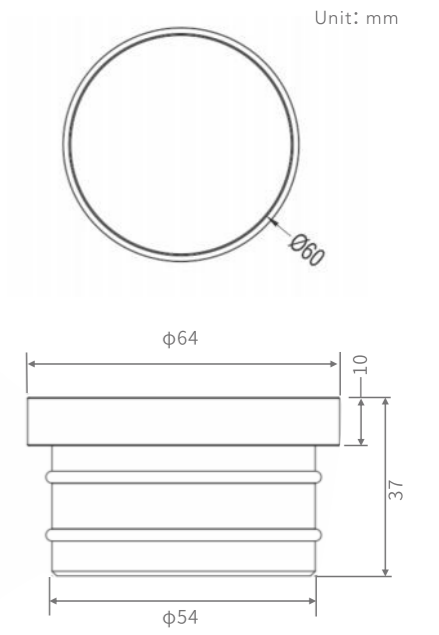
Recessed In-ground Light



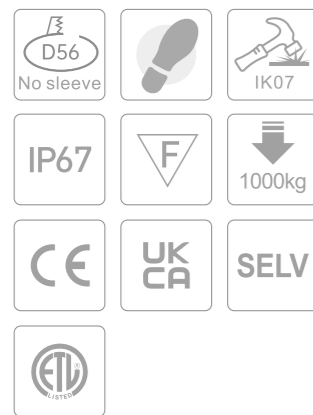
EU1959 5W 3000K 120°



H(m)	Eavg(lx)	Emax(lx)	D(cm)
1	4.865	20.55	352.99
2	1.216	5.138	705.97
3	0.5405	2.284	621.02
4	0.3041	1.284	1411.95
5	0.1946	0.8221	1764.94



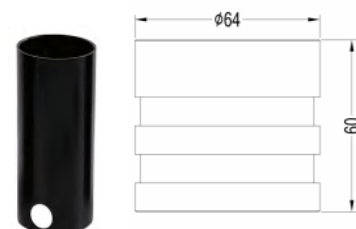
Drill size: D56mm



Frame+body Material: Aluminium
 Available finishes: Anodized
 Tempered Glass: 5mm ultra-white tempered glass
 LED brand: CREE/OSRAM/NICHIA
 Power Supply: External (CC)/Driver chip on board(CV)
 Installation: Recessed, Ambient temperature -20°C~+45°C
 Cable: Outdoor used rubber cable, 1.1M length
 Unit Weight: 0.2Kg
 Load Pressure: 1000KG (Static)
 Controls: Constant Current, ON/OFF(Non dim), PWM
 Protection Class: IP67
 Certificate: CE, Rohs, IP, ETL
 (LED)Averaged Lifetime: 50,000hrs

Please refer to pages 283-285 to choose a remote power supply.

Optional Accessory



IP67 rated Waterproof performance | 50000h Long lifetime | 1000Kg Static Pressure Loading



Parameters

Power(W)	Source flux(lm)	Delivered flux(lm)	Applications	Product Code
3	300	160	IN-GROUND	G5.1959 ±03 ⚡⚡⚡⚡⚡
5	520	280	IN-GROUND	G5.1959 ±05 ⚡⚡⚡⚡⚡

Filter Structure	☀️	Power	Ⓜ️	Input	⚡
Regular	01	3W	03	Constant current	0
Glass Silked white+Frosted	27	5W	05	DC12V	1
				DC24V	2

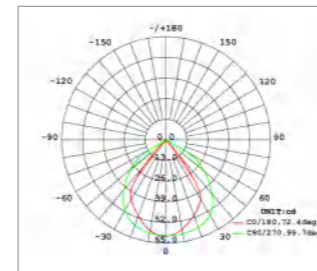
CCT Range	⚡	Optics	📐	Controls	⊙
3000K	3	120°	7	Constant current	0
4000K	5			ON/OFF	1
6000K	8			PWM	6

EU1915

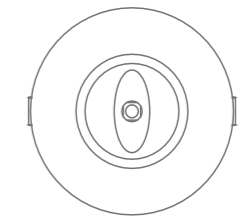
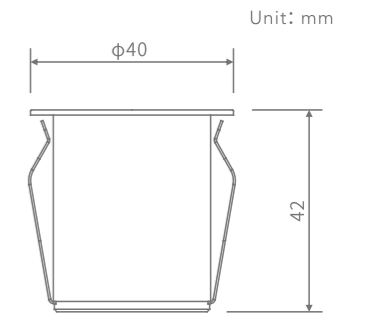
Recessed In-ground & Underwater Light



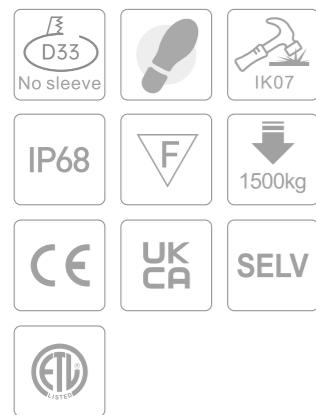
EU1915 2W 3000K 40*120°



H(m)	Eavg(lx)	Emax(lx)	D(cm)
1	35.73	60.60	146.45
2	8.933	15.15	292.90
3	3.970	6.733	439.34
4	2.233	3.787	585.79
5	1.429	2.424	732.24



Drill size: D33mm



Frame+body Material: SUS316+SUS316
 Available finishes: Brushed, Polished, Passivated
 Tempered Glass: 4mm ultra-white tempered glass
 LED brand: CREE/OSRAM/NICHIA
 Power Supply: External (CC)/Driver chip on board(CV)
 Installation: Recessed, Ambient temperature -20°C~ +45°C
 Cable: Outdoor used rubber cable, 1.1M length
 Unit Weight: 0.16Kg
 Load Pressure: 1500KG (Static)
 Controls: Constant Current, ON/OFF, DMX, 0/1-10V
 Protection Class: IP68
 Certificate: CE, Rohs, IP, ETL
 (LED)Averaged Lifetime: 50,000hrs

Note:The IP68 rated lamp is applicable for underwater and in-ground usage.

Please refer to pages 283-285 to choose a remote power supply.

IP68 rated Waterproof performance	SUS316 Entirely Stainless steel	50000h Long lifetime	1500Kg Static Pressure Loading
---	---------------------------------------	-------------------------	--------------------------------------

Optional Accessory



Parameters

Power(W)	Source flux(lm)	Delivered flux(lm)	Applications	Product Code
1	135	65	Unlimited	G2.1915 ±01
2	180	110	Unlimited	G2.1915 ±02
3	300	180	Unlimited	G2.1915 ±03
4	430	250	Underwater only	G2.1915 ±04

Filter Structure	☀	Power	①	Input	⚡
Regular	01	1W	01	Constant current	0
		2W	02	DC12V	1
		3W	03	DC24V	2
		4W	04		

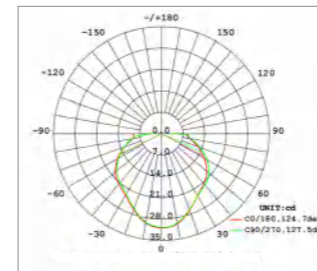
CCT Range	☀	Optics	↙	Controls	⊙
3000K	3	40*120°	V	Constant current	0
4000K	5			ON/OFF	1
6000K	8			DMX512	2
				0/1-10V	3

EU1934

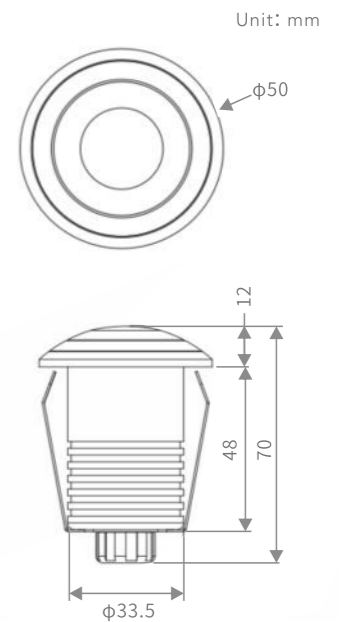
Recessed In-ground & Underwater Light



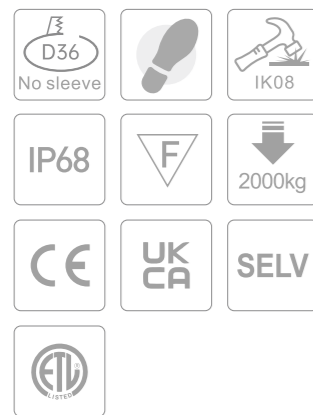
EU1934 2W 3000K



H(m)	Eavg(lx)	Emax(lx)	D(cm)
1	6.017	30.81	381.74
2	1.504	7.703	763.49
3	0.6686	3.424	1145.23
4	0.3761	1.926	1526.98
5	0.2407	1.233	1908.72



Drill size: D36mm



Frame+body Material: SUS316+SUS316
 Available finishes: Brushed, Polished, Passivated
 Transmitting material: PC
 LED brand: CREE/OSRAM/NICHIA
 Power Supply: External (CC)/Driver chip on board(CV)
 Installation: Recessed, Ambient temperature -20°C~ +45°C
 Cable: Outdoor used rubber cable, 1.1M length
 Unit Weight: 0.2Kg
 Load Pressure: 2000KG (Static)
 Controls: Constant Current, ON/OFF, DMX, 0/1-10V
 Protection Class: IP68
 Certificate: CE, Rohs, IP, ETL
 (LED)Averaged Lifetime: 50,000hrs

Note:The IP68 rated lamp is applicable for underwater and in-ground usage.

Please refer to pages 283-285 to choose a remote power supply.

Optional Accessory



IP68 rated Waterproof performance	SUS316 Entirely Stainless steel	50000h Long lifetime	2000Kg Static Pressure Loading
---	---------------------------------------	-------------------------	--------------------------------------



Parameters

Power(W)	Source flux(lm)	Delivered flux(lm)	Applications	Product Code
1	135	75	Unlimited	G2.1934 ±01
2	180	120	Unlimited	G2.1934 ±02

Filter Structure	☀	Power	①	Input	⚡
Regular	01	1W	01	Constant current	0
		2W	02	DC12V	1
				DC24V	2

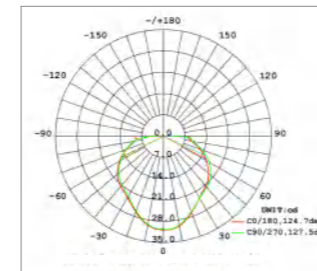
CCT Range	☀	Optics	📐	Controls	⊙
3000K	3	Special angle	Z	Constant current	0
4000K	5			ON/OFF	1
6000K	8			DMX512	2
				0/1-10V	3

EU1935

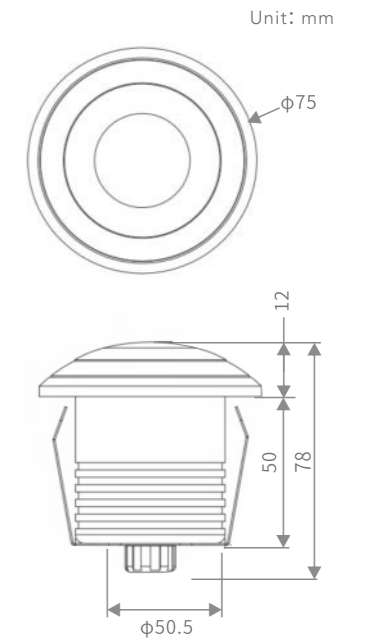
Recessed In-ground & Underwater Light



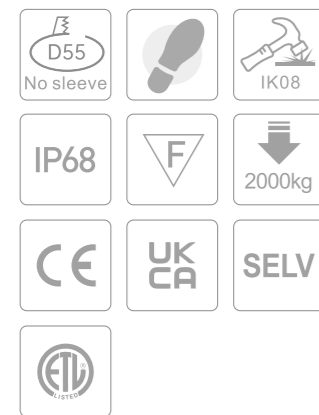
EU1935 6W 3000K



H(m)	Eavg(lx)	Emax(lx)	D(cm)
1	18.017	90.81	391.74
2	4.504	21.703	773.49
3	1.8686	9.424	1155.23
4	0.9761	3.926	1536.98
5	0.6407	3.233	1918.72



Drill size : D55mm



Frame+body Material: SUS316+SUS316
 Available finishes: Brushed, Polished, Passivated
 Transmitting material: PC
 LED brand: CREE/OSRAM/NICHIA
 Power Supply: External (CC)/Driver chip on board(CV)
 Installation: Recessed, Ambient temperature -20°C~ +45°C
 Cable: Outdoor used rubber cable, 1.1M length
 Unit Weight: 0.4Kg
 Load Pressure: 2000KG (Static)
 Controls: Constant Current, ON/OFF, DMX, 0/1-10V
 Protection Class: IP68
 Certificate: CE, Rohs, IP, ETL
 (LED)Averaged Lifetime: 50,000hrs

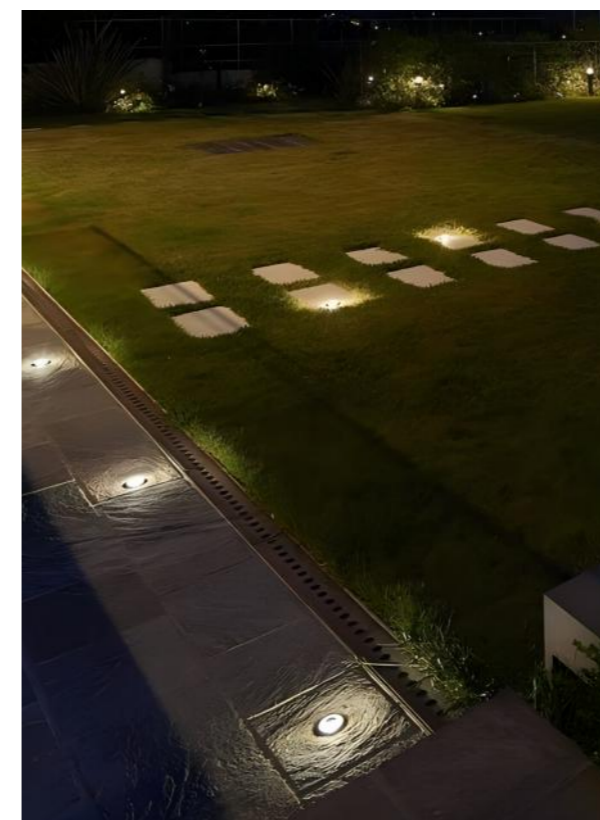
Note:The IP68 rated lamp is applicable for underwater and in-ground usage.

Please refer to pages 283-285 to choose a remote power supply.

Optional Accessory



IP68 rated Waterproof performance	SUS316 Entirely Stainless steel	50000h Long lifetime	2000Kg Static Pressure Loading
-----------------------------------	---------------------------------	----------------------	--------------------------------



Parameters

Power(W)	Source flux(lm)	Delivered flux(lm)	Applications	Product Code
4	500	240	Unlimited	G2.1935 ±04 ⚡⚡⚡⚡⚡
6	700	350	Unlimited	G2.1935 ±06 ⚡⚡⚡⚡⚡

Filter Structure	☀	Power	①	Input	⚡
Regular	01	4W 6W	04 06	Constant current DC12V DC24V	0 1 2

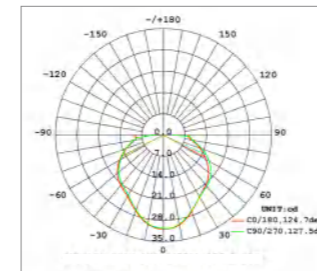
CCT Range	⊗	Optics	⚡	Controls	⊕
3000K 4000K 6000K	3 5 8	Special angle Z		Constant current ON/OFF DMX512 0/1-10V	0 1 2 3

EU1936

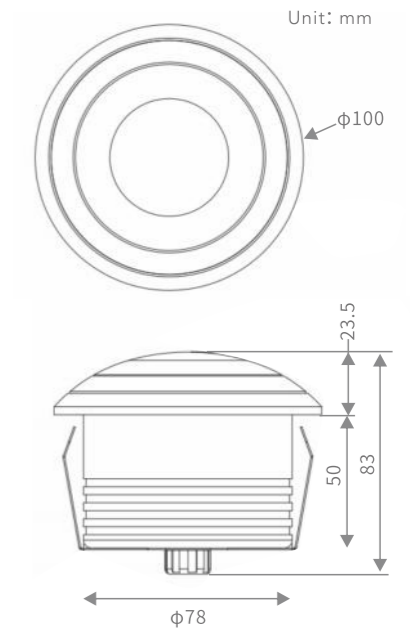
Recessed In-ground & Underwater Light



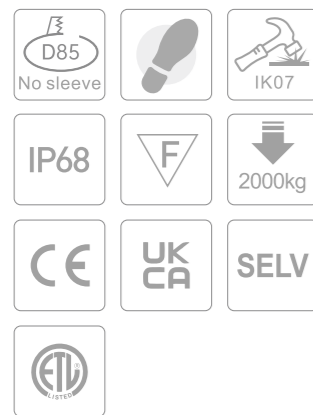
EU1936 9W 3000K



H(m)	Eavg(lx)	Emax(lx)	D(cm)
1	30.017	150.81	4101.74
2	7.504	35.703	793.49
3	3.6686	15.424	1175.23
4	1.5761	5.926	1556.98
5	1.0407	5.233	1938.72



Drill size: D85mm

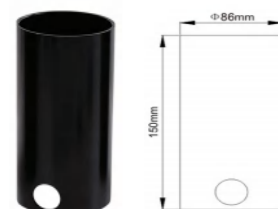


Frame+body Material: SUS316+SUS316
 Available finishes: Brushed, Polished, Passivated
 Transmitting material: PC
 LED brand: CREE/OSRAM/NICHIA
 Power Supply: External (CC)/Driver chip on board(CV)
 Installation: Recessed, Ambient temperature -20°C~+45°C
 Cable: Outdoor used rubber cable, 1.1M length
 Unit Weight: 0.6Kg
 Load Pressure: 2000KG (Static)
 Controls: Constant Current, ON/OFF, DMX, 0/1-10V
 Protection Class: IP68
 Certificate: CE, Rohs, IP, ETL
 (LED)Averaged Lifetime: 50,000hrs

Note:The IP68 rated lamp is applicable for underwater and in-ground usage.

Please refer to pages 283-285 to choose a remote power supply

Optional Accessory



IP68 rated Waterproof performance	SUS316 Entirely Stainless steel	50000h Long lifetime	2000Kg Static Pressure Loading
---	---------------------------------------	-------------------------	--------------------------------------



Parameters

Power(W)	Source flux(lm)	Delivered flux(lm)	Applications	Product Code
6	700	350	Unlimited	G2.1936 ±06 ⚡ ⚡ ⚡ ⚡
9	1200	540	Unlimited	G2.1936 ±09 ⚡ ⚡ ⚡ ⚡

Filter Structure	☀	Power	Ⓜ	Input	⚡
Regular	01	6W 9W	06 09	Constant current DC12V DC24V	0 1 2

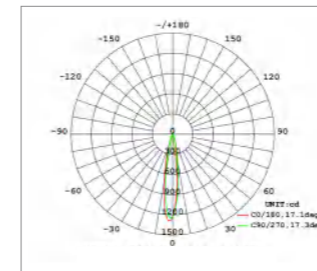
CCT Range	⚡	Optics	📐	Controls	Ⓜ
3000K 4000K 6000K	3 5 8	Special angle Z		Constant current ON/OFF DMX512 0/1-10V	0 1 2 3

EU1966

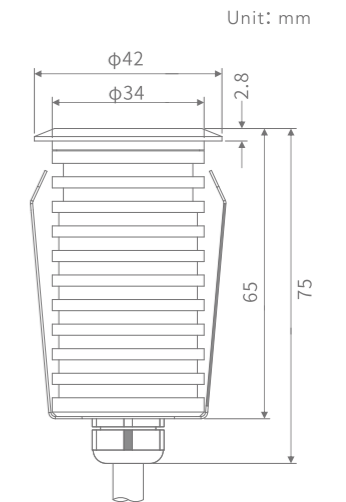
Recessed In-ground Light



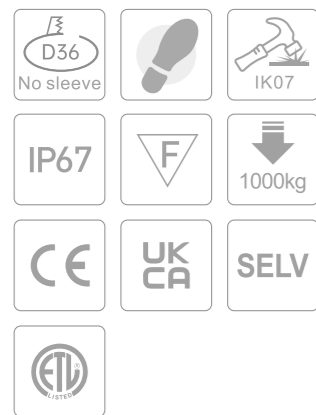
EU1966 5W 3000K 15°



H(m)	Eavg(lx)	Emax(lx)	D(cm)
1	856.3	1287	30.13
2	214.1	321.7	60.25
3	95.14	143.0	90.38
4	53.52	80.43	120.50
5	34.25	51.48	150.63



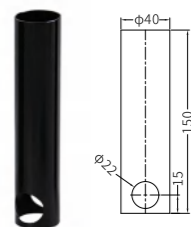
Drill size: D36mm



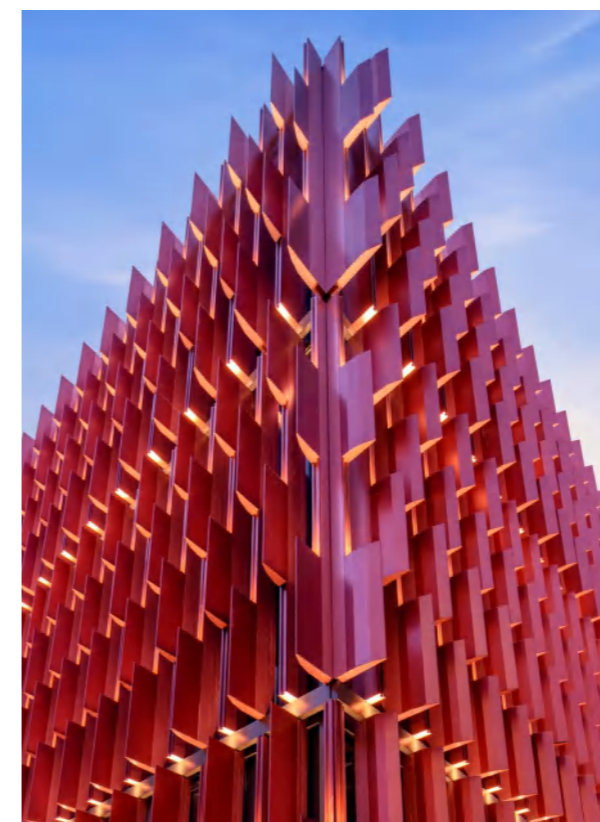
Frame+body Material: SUS316+Aluminium
 Available finishes: Brushed, Polished, Passivated
 Tempered Glass: 4mm ultra-white tempered glass
 LED brand: CREE/OSRAM/NICHIA
 Power Supply: External (CC)/Driver chip on board(CV)
 Installation: Recessed, Ambient temperature -20°C~+45°C
 Cable: Outdoor used rubber cable, 1.1M length
 Unit Weight: 0.2Kg
 Load Pressure: 1000KG (Static)
 Controls: Constant Current, ON/OFF, DMX, 0/1-10V
 Protection Class: IP67
 Certificate: CE, Rohs, IP, ETL
 (LED)Averaged Lifetime: 50,000hrs

Please refer to pages 283-285 to choose a remote power supply.

Optional Accessory



IP67 rated Waterproof performance	SUS316 Stainless Steel Frame	50000h Long lifetime	1000Kg Static Pressure Loading
---	------------------------------------	-------------------------	--------------------------------------



Parameters

Power(W)	Source flux(lm)	Delivered flux(lm)	Applications	Product Code
4	450	330	In-ground	G5.1966 ±04
5	500	370	In-ground	G5.1966 ±05

Filter Structure	Power	Input
Regular	01	04
Frosted glass	02	05
Half shaded gals	03	
Honeycomb Louvre	08	

CCT Range	Optics	Controls
3000K	3	15°
4000K	5	20°
6000K	8	30°
		45°
		60°

04

Spot Light



Product Guidance



IMAGE	PRODUCT CODE	POWER	OPTICS (°)	CCT (K)	IP	PAGE
	EU3045	6	10/15	Single	65	153/154 ▶
	EU3046	8	10/15	Single	65	155/156 ▶
	EU3047	24	10/15	Single	65	157/158 ▶
	EU3048	24	10/15	Single	65	159/160 ▶
	EU3036	3	20/60	Single	65	161/162 ▶
	EU3039	24	10/15/24/36/50	Single	67	163/164 ▶
	EU3040	7	3	Single	67	165/166 ▶
	EU3040B	7	15/24/36/50	Single	67	167/168 ▶
	EU3060	3	20/60/120	Single	65	169/170 ▶
	PL608	6	10/40	Single/ full colour	67	171/172 ▶
	PL612	20	10/20/40/60	Single/ full colour	67	173/174 ▶
	PL618	20	10/S20/40/F60	Single/ full colour	67	175/176 ▶
	PL624	36	10/S20/40/F60	Single/ full colour	67	177/178 ▶
	PL824	36	10/20/40/60	Single/ full colour	67	179/180 ▶
	EU2001	3	20/60	Single/ full colour	66	181/182 ▶
	EU2006	7	3	Single	67	183/184 ▶
	EU3085	3	10	Single	67	185/186 ▶

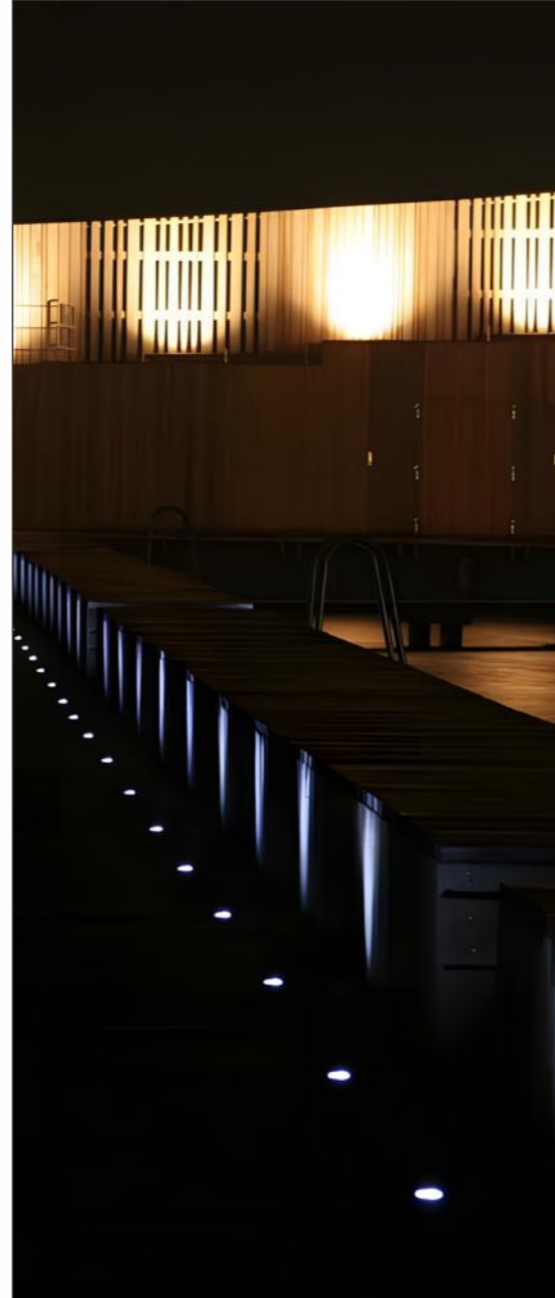
04

EURBORN

Spot Light

Eurborn Spot Light series, with high brightness, high light efficiency, low energy consumption of the significant characteristics, its strict structure process and waterproof and dustproof design, can be well adapted to the changeable outdoor environment, stable operation, the overall quality of the lamps has always remained in the forefront of the industry.

Eurborn Spot Light series have a variety of installation methods and diversified application scenarios, lamps are widely used in landscape, architecture, garden and bridge fields. With outstanding performance advantages and fashionable designs, there have more than 20 models have been developed and those are exported to 135 countries and regions, and have been well received by users



Color temperature range
1800K--6500K

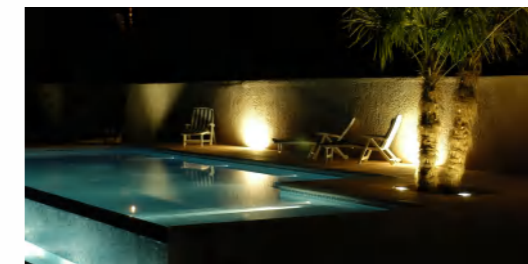
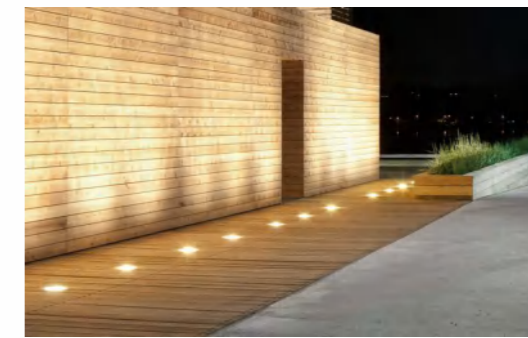
- ✓ Adjustable angle
- ✓ Multiple layers sealing
- ✓ Aluminium (Body)
- ✓ Monochrome/colorful option
- ✓ >50000hrs lifetime
- ✓ ≥3M cable
- ✓ 10mm colourless tempered glass
- ✓ High quality LED
- ✓ RGBW



50000hrs
lifetime

Energy saving and
high light efficiency

Exported to 135
Countries and regions

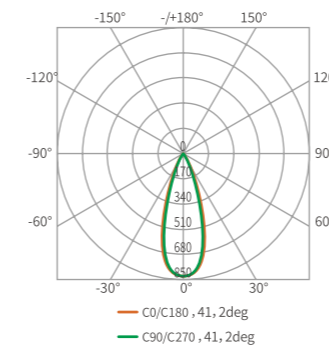


EU3045

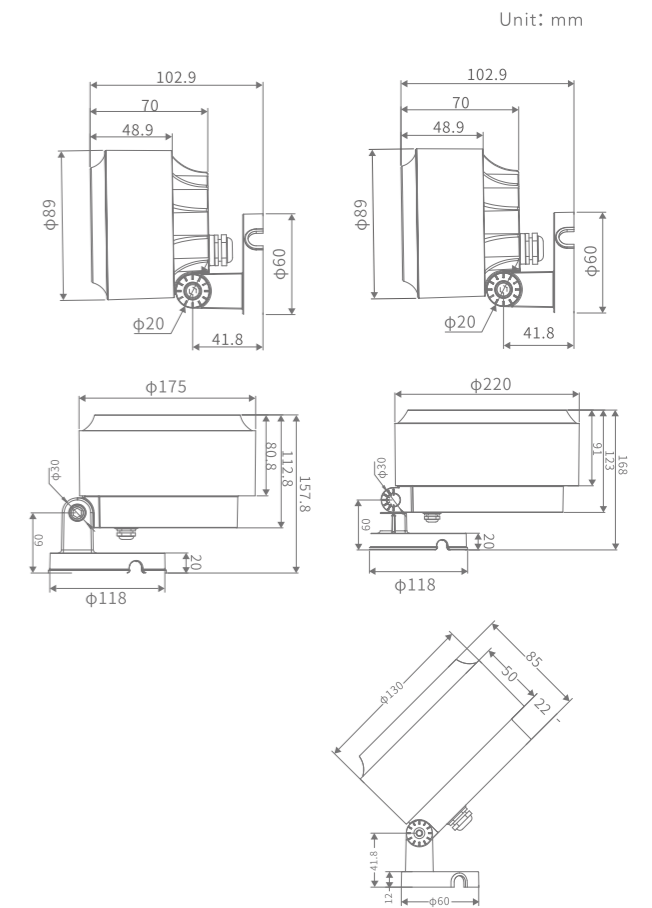
Surface Mounted Spot Light



EU3045 6W 3000K 45°



H(m)	Eavg(lx)	Emax(lx)	D(cm)
1	528.3	811.81	75.13
2	132.1	203.0	150.26
3	58.70	90.20	225.39
4	33.02	50.74	300.52
5	21.13	32.47	375.65



Parameters

Power(W)	Source flux(lm)	Delivered flux(lm)	Applications	Product Code
6	637	500	Surface mounted	P1.3045 ± 06 ⚡ ⚡ ⚡ ⚡
12	1250	1020	Surface mounted	P1.3045 ± 12 ⚡ ⚡ ⚡ ⚡
18	1900	1500	Surface mounted	P1.3045 ± 18 ⚡ ⚡ ⚡ ⚡
36	3800	3000	Surface mounted	P1.3045 ± 36 ⚡ ⚡ ⚡ ⚡
72	7600	6100	Surface mounted	P1.3045 ± 72 ⚡ ⚡ ⚡ ⚡

Filter Structure	☀	Power	Ⓜ	Input	⚡
Regular	01	6W	06	Constant current	0
Hoods	16	12W	12	DC24V	2
Ground pin	15	18W	18	AC230V	5
		36W	36		
		72W	72		

CCT Range	☀	Optics	📐	Controls	⊙
3000K	3	10°	1	Constant current	0
4000K	5	15°	2	ON/OFF	1
6000K	8	30°	4	DMX512	2
		45°	5	0/1-10V	3
		60°	6	PWM	6



Frame+body Material: Aluminium
 Available finishes: Inject oil
 Tempered Glass: 6mm ultra-white tempered glass
 LED brand: CREE/OSRAM/NICHIA
 Power Supply: External (CC)/Driver chip on board(DC)
 Installation: Surface mounted, Ambient temperature -20°C~+45°C
 Cable: Outdoor used rubber cable, 1.1M length
 Unit Weight: 0.9KG
 Controls: ON/OFF(Non dim), 0/1-10V, DMX, PWM
 Protection Class: IP66
 Certificate: CE, Rohs, IP, ETL
 (LED)Averaged Lifetime: 50,000hrs

Please refer to pages 283-285 to choose a remote power supply.

IP66 rated
Waterproof performance

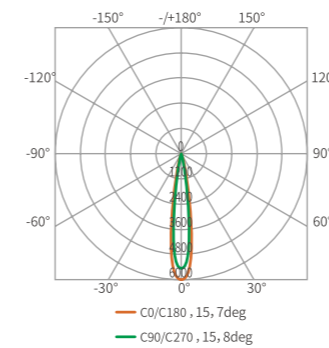
50000h
Long lifetime

EU3046

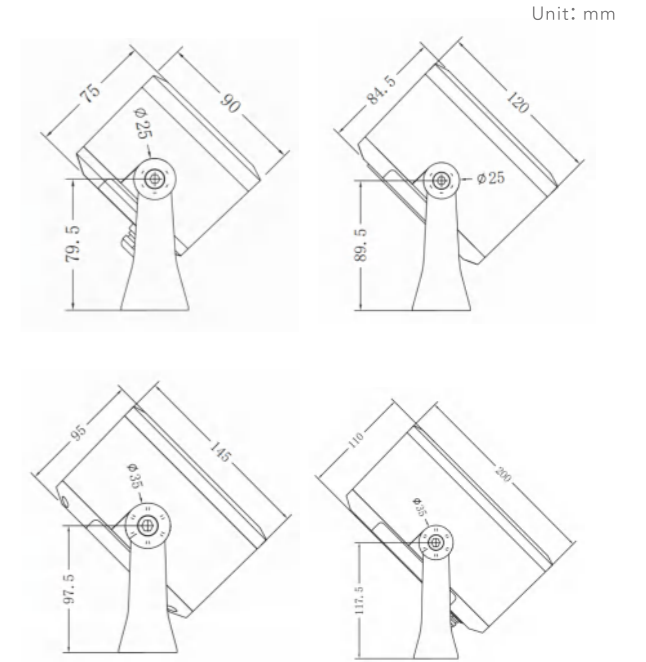
Surface Mounted Spot Light



EU3046 8W 3000K 15°



H(m)	Eavg(lx)	Emax(lx)	D(cm)
1	3963	5827	27.61
2	990.7	1457	55.23
3	440.3	647.4	82.84
4	247.7	364.2	110.45
5	158.5	233.1	138.07



Unit: mm



Frame+body Material: Aluminium
 Available finishes: Inject oil
 Tempered Glass: 8mm ultra-white tempered glass
 LED brand: CREE/OSRAM/NICHIA
 Power Supply: External (CC)/Driver chip on board(DC)
 Installation: Surface mounted, Ambient temperature -20°C~ +45°C
 Cable: Outdoor used rubber cable, 1.1M length
 Unit Weight: 1.2KG
 Controls: ON/OFF(Non dim), 0/1-10V, DMX, PWM
 Protection Class: IP66
 Certificate: CE, Rohs, IP, ETL
 (LED)Averaged Lifetime: 50,000hrs

Please refer to pages 283-285 to choose a remote power supply.

IP66 rated
Waterproof performance

50000h
Long lifetime



Parameters

Power(W)	Source flux(lm)	Delivered flux(lm)	Applications	Product Code
8	850	650	Surface mounted	P1.3046 ±08 ⚡⚡⚡⚡⚡
18	1900	1500	Surface mounted	P1.3046 ±18 ⚡⚡⚡⚡⚡
32	3400	2700	Surface mounted	P1.3046 ±32 ⚡⚡⚡⚡⚡
72	7600	6100	Surface mounted	P1.3046 ±72 ⚡⚡⚡⚡⚡

Filter Structure	☀	Power	①	Input	⚡
Regular	01	08W	08	Constant current	0
Hoods	16	18W	18	DC24V	2
		32W	32	AC230V	5
		72W	72		

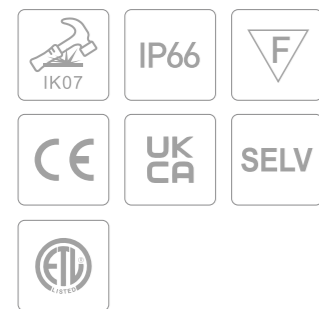
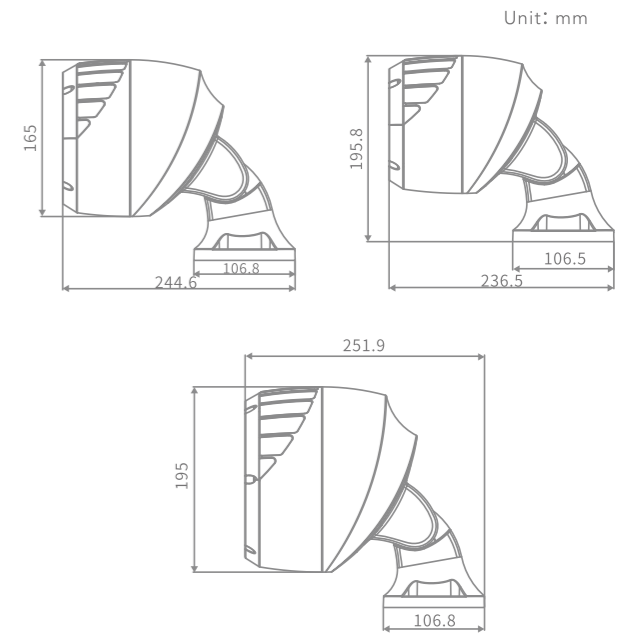
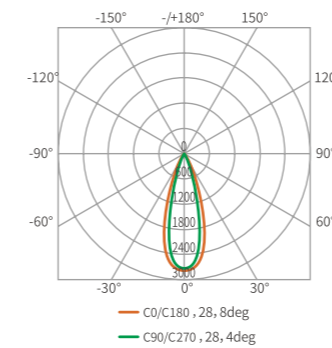
CCT Range	☀	Optics	📐	Controls	⊙
3000K	3	10°	1	Constant current	0
4000K	5	15°	2	ON/OFF	1
6000K	8	30°	4	DMX512	2
		45°	5	0/1-10V	3
		60°	6	PWM	6

EU3047

Surface Mounted Spot Light



EU3047 24W 3000K 30°



Frame+body Material: Aluminium
 Available finishes: Inject oil
 Tempered Glass: 8mm ultra-white tempered glass
 LED brand: CREE/OSRAM/NICHIA
 Power Supply: External (CC)/Driver chip on board(DC)
 Installation: Surface mounted, Ambient temperature -20°C~ +45°C
 Cable: Outdoor used rubber cable, 1.1M length
 Unit Weight: 2.5KG
 Controls: Controls: ON/OFF(Non dim), 0/1-10V, DMX, PWM
 Protection Class: IP66
 Certificate: CE, Rohs, IP, ETL
 (LED)Averaged Lifetime: 50,000hrs

Please refer to pages 283-285 to choose a remote power supply.

IP66 rated

Waterproof performance

50000h

Long lifetime



Parameters

Power(W)	Source flux(lm)	Delivered flux(lm)	Applications	Product Code
24	2500	2000	Surface mounted	P1.3047 24W 30°
36	3800	3000	Surface mounted	P1.3047 36W 36°
60	6300	5100	Surface mounted	P1.3047 60W 60°

Filter Structure	☀	Power	①	Input	⚡
Regular	01	24W	24	Constant current	0
Hoods	16	36W	36	DC24V	2
Brackets	52	60W	60	AC230V	5

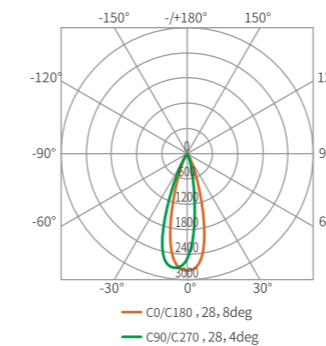
CCT Range	☀	Optics	📐	Controls	⊙
3000K	3	10°	1	Constant current	0
4000K	5	15°	2	ON/OFF	1
6000K	8	30°	4	DMX512	2
		45°	5	0/1-10V	3
		60°	6	PWM	6

EU3048

Surface Mounted Spot Light

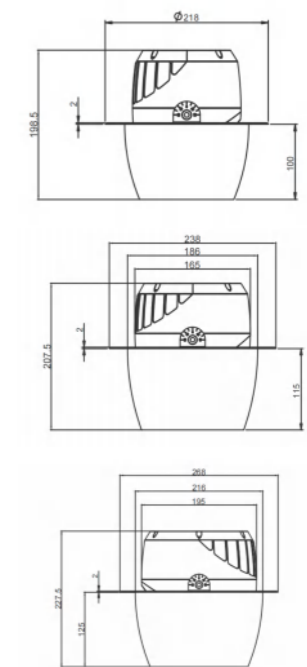


EU3048 24W 3000K 30°



H(m)	Eavg lx	Emax lx	D(cm)
1	3522	5360	50.63
2	880.6	1340.0	101.27
3	440.3	647.4	151.90
4	391.4	595.6	202.54
5	140.88	214.4	253.17

Unit: mm



Frame+body Material: Aluminium
 Available finishes: Inject oil
 Tempered Glass: 8mm ultra-white tempered glass
 LED brand: CREE/OSRAM/NICHIA
 Power Supply: External (CC)/Driver chip on board(DC)
 Installation: Surface mounted, Ambient temperature -20°C~ +45°C
 Cable: Outdoor used rubber cable, 1.1M length
 Unit Weight: 2.5KG
 Controls: ON/OFF(Non dim), 0/1-10V, DMX, PWM
 Protection Class: IP66
 Certificate: CE, Rohs, IP, ETL
 (LED)Averaged Lifetime: 50,000hrs

Please refer to pages 283-285 to choose a remote power supply.

IP66 rated
Waterproof performance

50000h
Long lifetime



Parameters

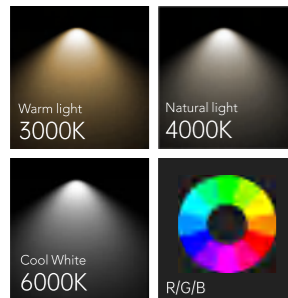
Power(W)	Source flux(lm)	Delivered flux(lm)	Applications	Product Code
24	2500	2000	Surface mounted	G1.3048 ± 24
36	3800	3000	Surface mounted	G1.3048 ± 36
60	6300	5100	Surface mounted	G1.3048 ± 60

Filter Structure	☀	Power	①	Input	⚡
Regular	01	24W	24	Constant current	0
Hoods	16	36W	36	DC24V	2
		60W	60	AC230V	5

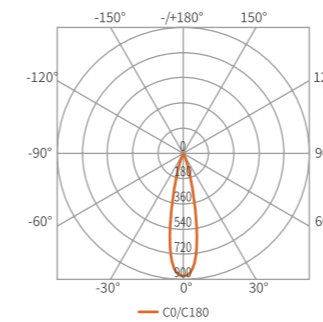
CCT Range	☁	Optics	📐	Controls	⊙
3000K	3	10°	1	Constant current	0
4000K	5	15°	2	ON/OFF	1
6000K	8	30°	4	DMX512	2
		45°	5	0/1-10V	3
		60°	6	PWM	6

EU3036

Surface Mounted Spot Light

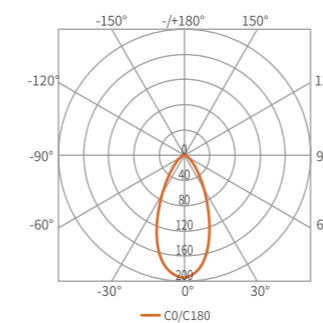


EU3036 1W 4000K 20°



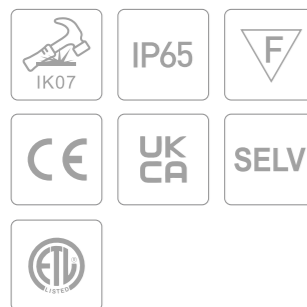
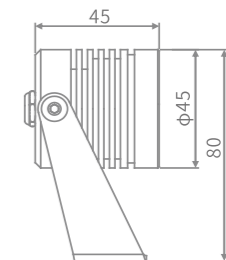
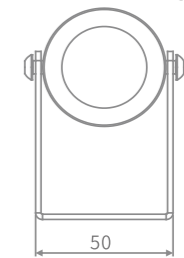
H(m)	Eavg(lx)	Emax(lx)	D(cm)
1	378.8	577.71	30.44
2	140.8	214.7	49.963
3	62.57	95.42	74.9
4	35.19	53.67	99.87
5	22.52	34.35	124.83

EU3036 1W 4000K 60°



H(m)	Eavg(lx)	Emax(lx)	D(cm)
1	124.8	186.7	63.4
2	31.19	46.68	126.79
3	13.86	20.75	190.19
4	7.798	11.67	253.59
5	4.991	7.469	316.99

Unit: mm



Frame+body Material: Aluminium
 Available finishes: Anodized
 Tempered Glass: 4mm ultra-white tempered glass
 LED brand: CREE/OSRAM/NICHIA
 Power Supply: External (CC)/Driver chip on board(CV)
 Installation: Surface mounted, Ambient temperature -20°C~+45°C
 Cable: Outdoor used rubber cable, 1.1M length
 Unit Weight: 0.2Kg
 Controls: Constant Current, ON/OFF(Non dim)
 Protection Class: IP65
 Certificate: CE, Rohs, IP, ETL
 (LED)Averaged Lifetime: 50,000hrs

Please refer to pages 283-285 to choose a remote power supply.

IP65 rated
Waterproof performance

50000h
Long lifetime



Parameters

Power(W)	Source flux(lm)	Delivered flux(lm)	Applications	Product Code
1	450	330	Surface mounted	P1.3036 ±01 ⚡⚡⚡⚡⚡
3	500	570	Surface mounted	P1.3036 ±03 ⚡⚡⚡⚡⚡

Filter Structure	☀️	Power	①	Input	⚡
Regular	01	1W	01	Constant current	0
Frosted glass	02	3W	03	DC12V	1
Half shaded galss	03			DC24V	2
Honeycomb Louvre	08				

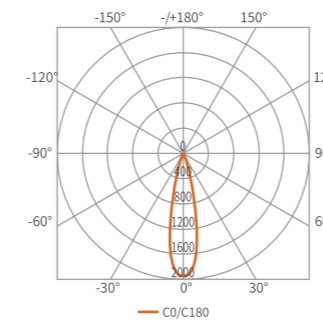
CCT Range	⊞	Optics	📐	Controls	⊞
3000K	3	20°	3	Constant current	0
4000K	5	30°	4	ON/OFF	1
6000K	8	45°	5		
RGB	D	60°	6		

EU3039

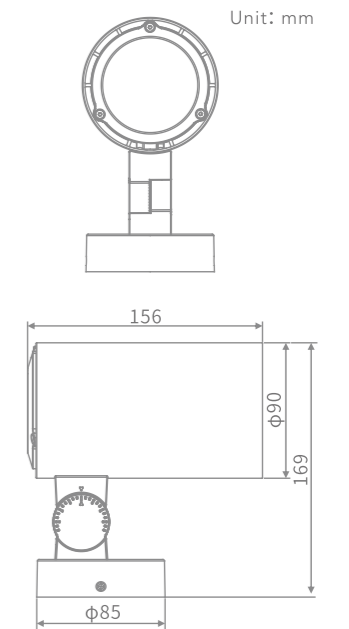
Surface Mounted
Spot Light



EU3039 18W 4000K 24°



H(m)	Eavg(lx)	Emax(lx)	D(cm)
1	1291	1729	76.29
2	322.7	432.2	152.57
3	143.4	192.1	228.83
4	80.67	108.1	305.15
5	51.63	69.15	381.44

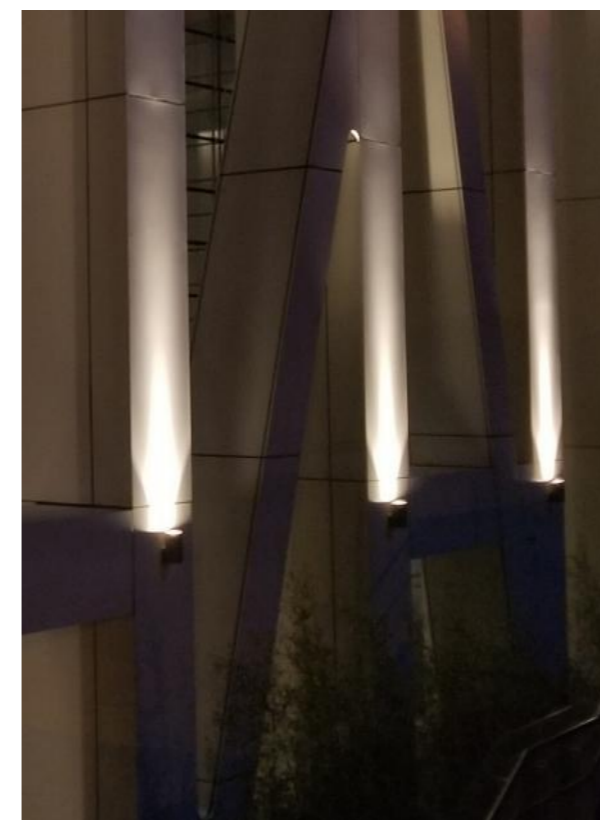


Frame+body Material: Aluminium
 Available finishes: Powder Spraying
 Tempered Glass: 10mm ultra-white tempered glass
 LED brand: CREE/OSRAM/NICHIA
 Power Supply: External(CC)/Built-in 220VAC
 Installation: Surface mounted, Ambient temperature -20°C~+45°C
 Cable: Outdoor used rubber cable, 1.1M length
 Unit Weight: 1.6Kg
 Controls: Constant Current, ON/OFF(Non dim)
 Protection Class: IP67
 Certificate: CE, Rohs, IP, ETL
 (LED)Averaged Lifetime: 50,000hrs

Please refer to pages 283-285 to choose a remote power supply.

IP67 rated
Waterproof performance

50000h
Long lifetime



Parameters

Power(W)	Source flux(lm)	Delivered flux(lm)	Applications	Product Code
12	1800	1400	Surface mounted	P1.3039 12
18	2700	2000	Surface mounted	P1.3039 18
24	3700	2700	Surface mounted	P1.3039 24
27	4150	3000	Surface mounted	P1.3039 27

Filter Structure	Power	Input
Regular	01 12W	12 Constant current
Frosted glass	02 18W	18 220VAC
Half shaded galss	03 24W	24
Honeycomb Louvre	08 27W	27

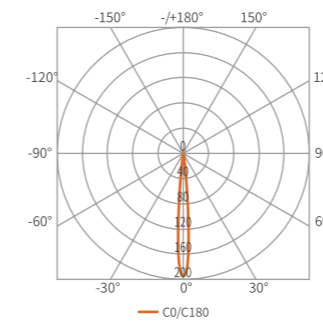
CCT Range	Optics	Controls
3000K	3 10°	1 Constant current
4000K	5 15°	2 ON/OFF
6000K	8 24°	Q
	36°	E
	50°	F

EU3040

Surface Mounted Spot Light

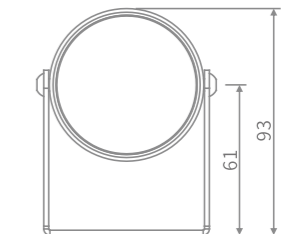
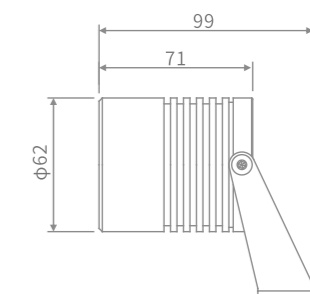


EU3040 7W 4000K 3°



H(m)	Eavg(lx)	Emax(lx)	D(cm)
1	27748	42407	8.82
2	6937	10602	17.64
3	3083	4712	26.46
4	1734	2650	35.27
5	1110	1696	44.09

Unit: mm



Frame+body Material: Aluminium
 Available finishes: Anodized
 Tempered Glass: 5mm ultra-white tempered glass
 LED brand: CREE/OSRAM/NICHIA
 Power Supply: External (CC)/Driver chip on board(CV)
 Installation: Surface mounted, Ambient temperature -20°C~+45°C
 Cable: Outdoor used rubber cable, 1.1M length
 Unit Weight: 0.7Kg
 Controls: ON/OFF, 0/1-10V, DMX, PWM
 Protection Class: IP67
 Certificate: CE, Rohs, IP, ETL
 (LED)Averaged Lifetime: 50,000hrs

Please refer to pages 283-285 to choose a remote power supply.

IP67 rated
Waterproof performance

50000h
Long lifetime



Parameters

Power(W)	Source flux(lm)	Delivered flux(lm)	Applications	Product Code
7	760	550	Surface mounted	P1.3040 07 07 08 09
9	930	670	Surface mounted	P1.3040 09 07 08 09

Filter Structure	☀	Power	①	Input	⚡
Frosted glass	02	7W	07	Constant current	0
Half shaded glass	03	9W	09	DC24V	2
Honeycomb Louvre	08				
Anti-glare baffle	09				

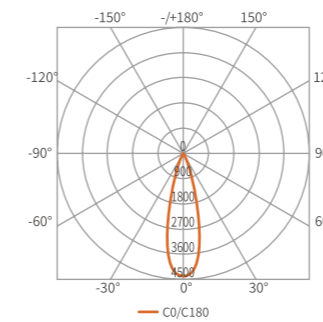
CCT Range	☀	Optics	🏠	Controls	⊙
3000K	3	3°	A	Constant current	0
4000K	5			ON/OFF	1
6000K	8			DMX512	2
				0/1-10V	3
				PWM	6

EU3040B

Surface Mounted Spot Light

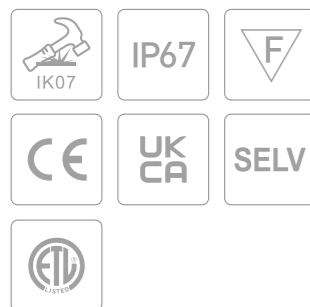
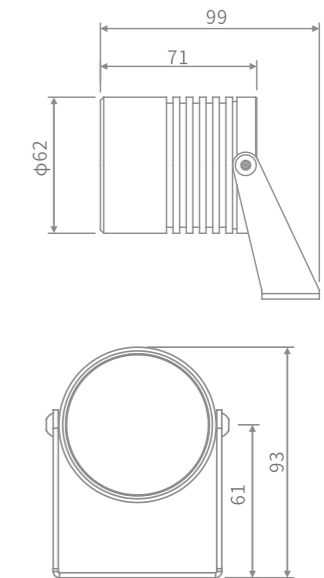


EU3040B 7W 4000K 24°



H(m)	Eavg(lx)	Emax(lx)	D(cm)
1	2898	4344	42.57
2	724.6	1086	85.114
3	322	482.61	127.72
4	181.1	271.51	170.29
5	115.9	173.7	212.86

Unit: mm



Frame+body Material: Aluminium
 Available finishes: Anodized
 Tempered Glass: 5mm ultra-white tempered glass
 LED brand: CREE/OSRAM/NICHIA
 Power Supply: External (CC)/Driver chip on board(CV)
 Installation: Surface mounted, Ambient temperature -20°C~+45°C
 Cable: Outdoor used rubber cable, 1.1M length
 Unit Weight: 0.7Kg
 Controls: ON/OFF, 0/1-10V, DMX, PWM
 Protection Class: IP67
 Certificate: CE, Rohs, IP, ETL
 (LED)Averaged Lifetime: 50,000hrs

Please refer to pages 283-285 to choose a remote power supply.

IP67 rated
Waterproof performance

50000h
Long lifetime



Parameters

Power(W)	Source flux(lm)	Delivered flux(lm)	Applications	Product Code
7	760	550	Surface mounted	P1.3040 ±07 ⚡⚡⚡⚡⚡
9	930	670	Surface mounted	P1.3040 ±09 ⚡⚡⚡⚡⚡

Filter Structure	☀️	Power	Ⓜ️	Input	⚡
Frosted glass	02	7W	07	Constant current	0
Half shaded glass	03	9W	09	DC24V	2
Honeycomb Louvre	08				
Anti-glare baffle	09				

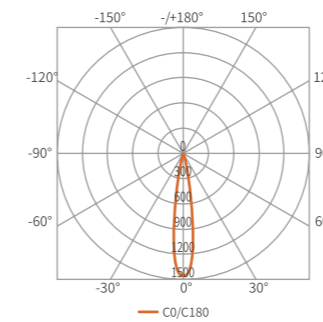
CCT Range	🌈	Optics	📐	Controls	Ⓜ️
3000K	3	15°	2	Constant current	0
4000K	5	24°	Q	ON/OFF	1
6000K	8	36°	E	DMX512	2
		50°	F	0/1-10V	3
				PWM	6

EU3060

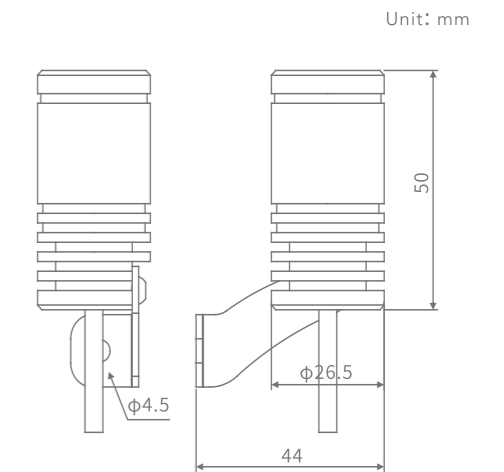
Surface Mounted
Spot Light



EU3060 3W 4000K 20°



H(m)	Eavg(lx)	Emax(lx)	D(cm)
1	825.4	1230	33.47
2	206.4	307.5	69.95
3	91.72	136.7	100.42
4	51.59	76.87	133.89
5	33.02	49.2	167.36

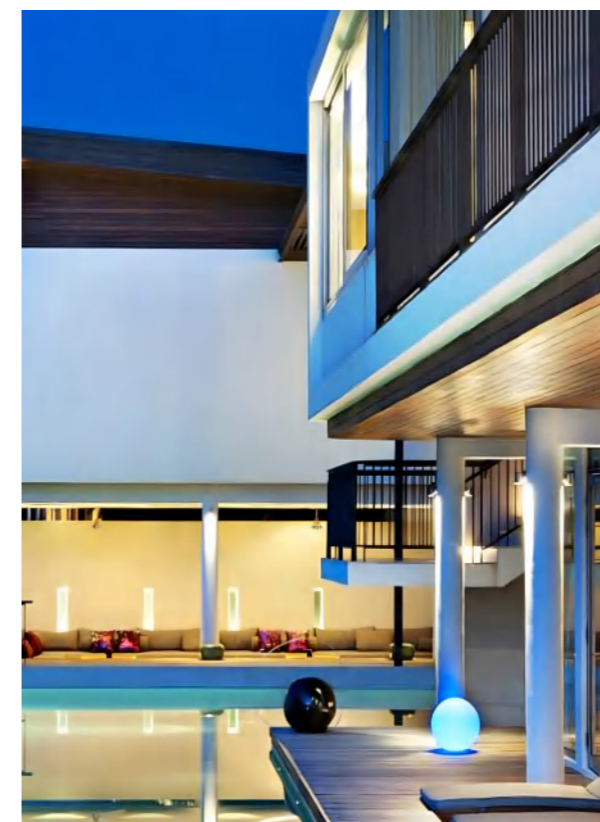


Frame+body Material: Aluminium
 Available finishes: Anodized
 Tempered Glass: 4mm ultra-white tempered glass
 LED brand: CREE/OSRAM/NICHIA
 Power Supply: External (CC)/Driver chip on board(CV)
 Installation: Surface mounted, Ambient temperature -20°C~+45°C
 Cable: Outdoor used rubber cable, 1.1M length
 Unit Weight: 0.2Kg
 Controls: Constant Current, ON/OFF(Non dim)
 Protection Class: IP65
 Certificate: CE, Rohs, IP, ETL
 (LED)Averaged Lifetime: 50,000hrs

Please refer to pages 283-285 to choose a remote power supply.

IP65 rated
Waterproof performance

50000h
Long lifetime



Parameters

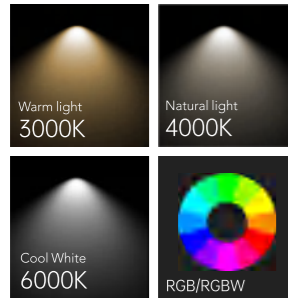
Power(W)	Source flux(lm)	Delivered flux(lm)	Applications	Product Code
1	130	95	Surface mounted	P1.3060 ±01 ⚡⚡⚡⚡⚡
3	300	210	Surface mounted	P1.3060 ±03 ⚡⚡⚡⚡⚡

Filter Structure	☀️	Power	①	Input	⚡
Regular	01	1W	01	Constant current	0
Frosted glass	02	3W	03	DC12V	1
Half shaded gals	03			DC24V	2

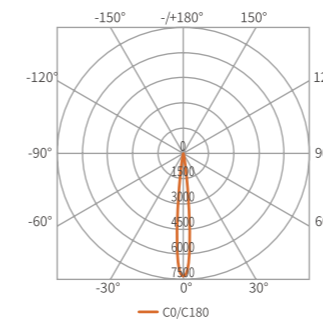
CCT Range	🌈	Optics	📐	Controls	⊙
3000K	3	20°	3	Constant current	0
4000K	5	30°	4	ON/OFF	1
6000K	8	45°	5		
		60°	6		

PL608

Surface Mounted Spot Light

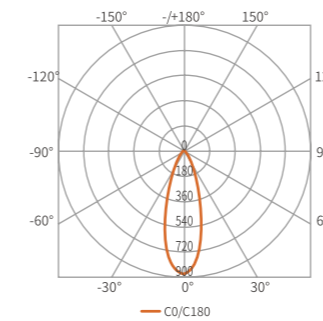


PL608 6W 4000K 10°



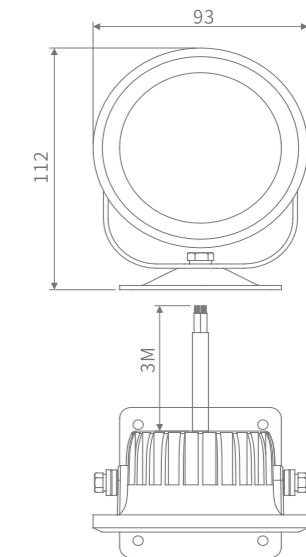
H(m)	Eavg(lx)	Emax(lx)	D(cm)
1	5245	7473	19.66
2	1311	1868	39.33
3	582.8	830.3	58.99
4	327.8	467.1	78.66
5	209.8	298.9	98.32

PL608 6W 4000K 40°



H(m)	Eavg(lx)	Emax(lx)	D(cm)
1	548	853	65.71
2	137	213.3	131.42
3	60.89	94.79	197.13
4	34.25	53.32	262.84
5	21.92	34.13	328.55

Unit: mm

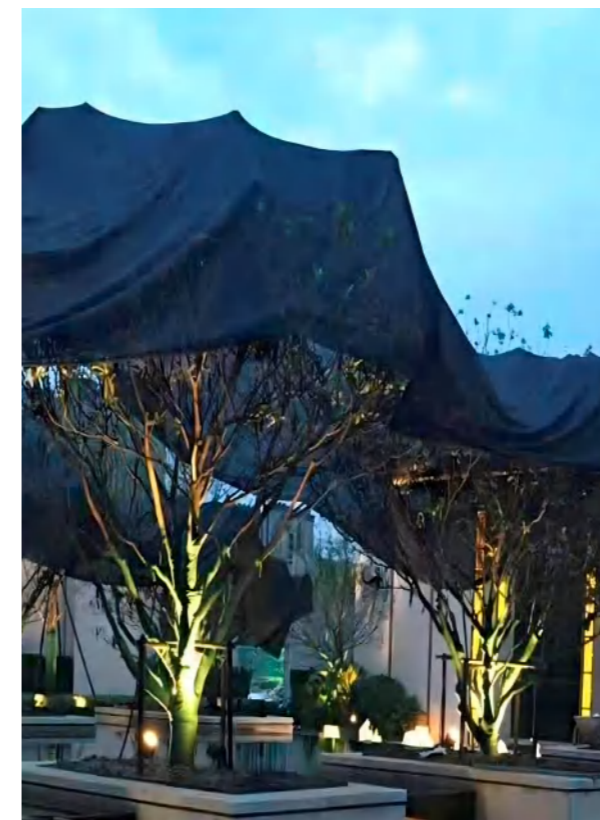


Frame+body Material: Aluminium
 Available finishes: Powder Spraying
 Tempered Glass: 6mm ultra-white tempered glass
 LED brand: CREE/OSRAM/NICHIA
 Power Supply: External (CC)/Driver chip on board(CV)
 Installation: Surface mounted, Ambient temperature -20°C~+45°C
 Cable: Outdoor used rubber cable, 3M length
 Unit Weight: 0.75Kg
 Controls: ON/OFF(Non dim), 0-10V, DMX, PWM
 Protection Class: IP67
 Certificate: CE, Rohs, IP, ETL
 (LED)Averaged Lifetime: 50,000hrs

Please refer to pages 283-285 to choose a remote power supply.

IP67 rated
Waterproof performance

50000h
Long lifetime



Parameters

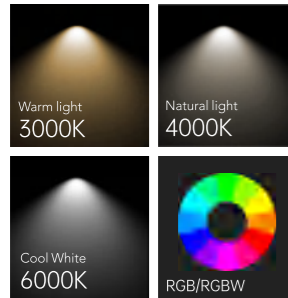
Power(W)	Source flux(lm)	Delivered flux(lm)	Applications	Product Code
6	770	650	Surface mounted	P1.0608 ±06
9	1100	920	Surface mounted	P1.0608 ±09

Filter Structure	☀	Power	①	Input	⚡
Regular	01	6W	06	Constant current	0
Frosted glass	02	9W	09	DC12V	1
Opla plate	06			DC24V	2

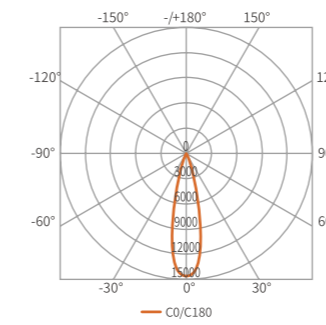
CCT Range	⊗	Optics	📐	Controls	⊕
3000K	3	10°	1	Constant current	0
4000K	5	40°	C	ON/OFF	1
6000K	8	120°	7	DMX512	2
RGB	D			0/1-10V	3
RGBW	H			PWM	6

PL612

Surface Mounted Spot Light

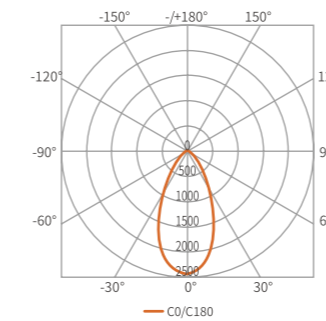


PL612 13W 4000K 20°



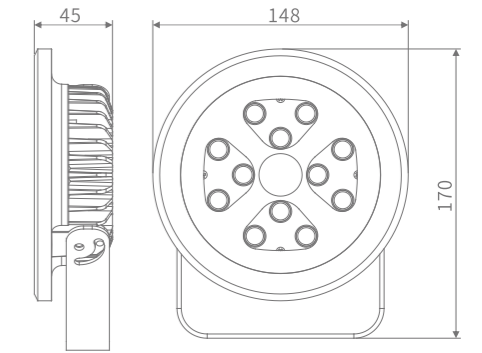
H(m)	Eavg(lx)	Emax(lx)	D(cm)
1	10238	13789	23.74
2	2559	3447	47.49
3	1138	1532	71.23
4	639.9	861.81	94.98
5	409.5	551.6	118.72

PL612 13W 4000K 60°



H(m)	Eavg(lx)	Emax(lx)	D(cm)
1	1526	2370	67.73
2	381.5	592.6	135.46
3	169.6	263.4	203.18
4	95.38	148.21	270.91
5	61.04	94.821	338.64

Unit: mm



Frame+body Material: Aluminium
 Available finishes: Powder Spraying
 Tempered Glass: 6mm ultra-white tempered glass
 LED brand: CREE/OSRAM/NICHIA
 Power Supply: External (CC)/Driver chip on board(CV)
 Installation: Surface mounted, Ambient temperature -20°C~+45°C
 Cable: Outdoor used rubber cable, 3M length
 Unit Weight: 1.2Kg
 Controls: ON/OFF(Non dim), 0/1-10V, DMX, PWM
 Protection Class: IP67
 Certificate: CE, Rohs, IP, ETL
 (LED)Averaged Lifetime: 50,000hrs

Please refer to pages 283-285 to choose a remote power supply.

IP67 rated
Waterproof performance

50000h
Long lifetime



Parameters

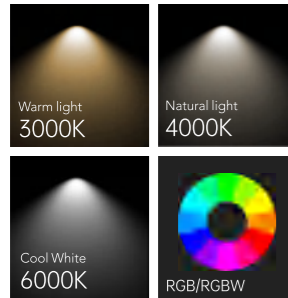
Power(W)	Source flux(lm)	Delivered flux(lm)	Applications	Product Code
13	1550	1300	Surface mounted	P1.0612 20° 13W 4000K
20	2200	1850	Surface mounted	P1.0612 20° 20W 4000K

Filter Structure	☀	Power	①	Input	⚡
Regular	01	13W	13	Constant current	0
Frosted glass	02	20W	20	DC12V	1
Opla plate	06			DC24V	2

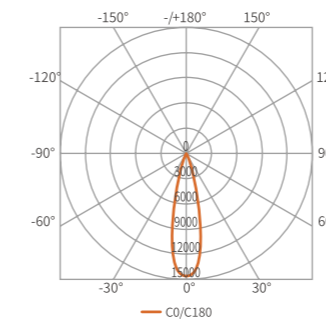
CCT Range	⊗	Optics	📐	Controls	⊕
3000K	3	20°	3	Constant current	0
4000K	5	45°	5	ON/OFF	1
6000K	8	60°	6	DMX512	2
RGB	D	120°	7	0/1-10V	3
RGBW	H			PWM	6

PL618

Surface Mounted Spot Light

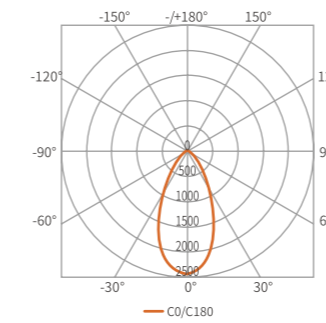


PL618 20W 4000K 20°



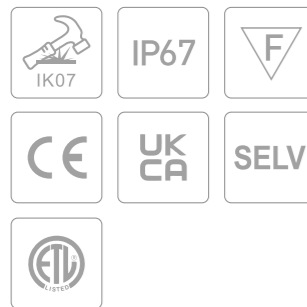
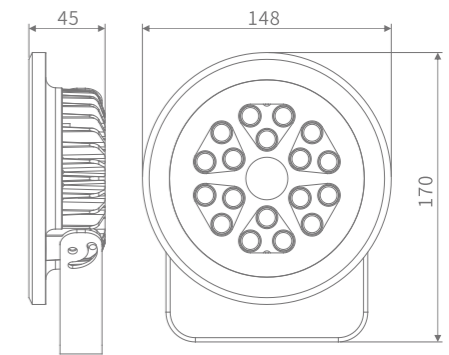
H(m)	Eavg(lx)	Emax(lx)	D(cm)
1	11801	16302	23.11
2	2950	4076	46.22
3	1311	1811	69.32
4	737.6	10191	92.43
5	472.1	652.1	115.54

PL618 20W 4000K 60°



H(m)	Eavg(lx)	Emax(lx)	D(cm)
1	3532	5243	51.96
2	883	1311	103.91
3	392.5	582.5	155.87
4	220.8	327.7	207.82
5	141.3	209.7	259.78

Unit: mm



Frame+body Material: Aluminium
 Available finishes: Powder Spraying
 Tempered Glass: 6mm ultra-white tempered glass
 LED brand: CREE/OSRAM/NICHIA
 Power Supply: External (CC)/Driver chip on board(CV)
 Installation: Surface mounted, Ambient temperature -20°C~ +45°C
 Cable: Outdoor used rubber cable, 3M length
 Unit Weight: 1.91Kg
 Controls: ON/OFF(Non dim), 0/1-10V, DMX, PWM
 Protection Class: IP67
 Certificate: CE, Rohs, IP, ETL
 (LED)Averaged Lifetime: 50,000hrs

Please refer to pages 283-285 to choose a remote power supply.

IP67 rated
Waterproof performance

50000h
Long lifetime



Parameters

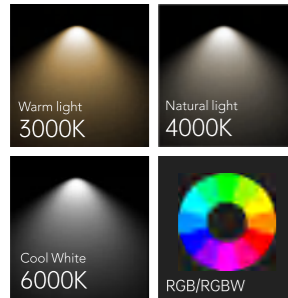
Power(W)	Source flux(lm)	Delivered flux(lm)	Applications	Product Code
20	2400	2150	Surface mounted	P1.0618 20W 4000K 20°

Filter Structure	Power	Input
Regular	01	20W
Frosted glass	02	20W
Opla plate	06	20W

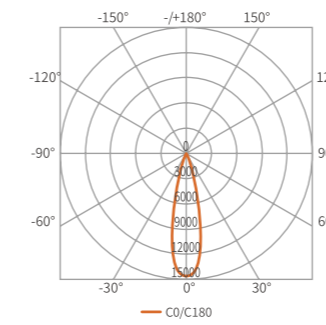
CCT Range	Optics	Controls
3000K	3	Constant current
4000K	5	ON/OFF
6000K	6	DMX512
RGB	D	0/1-10V
RGBW	H	PWM

PL624

Surface Mounted Spot Light

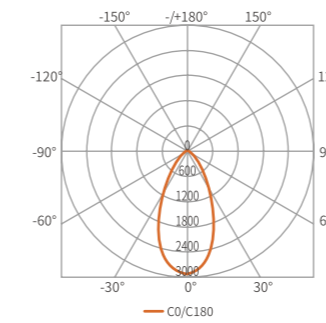


PL624 24W 4000K 20°



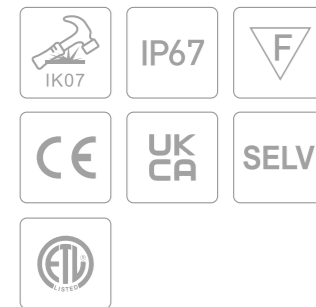
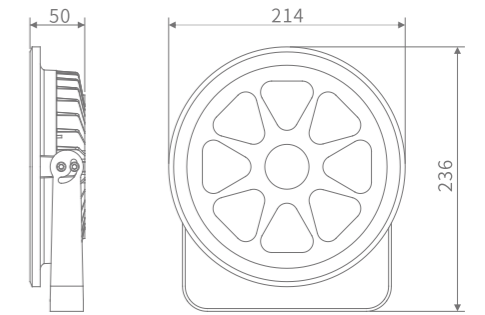
H(m)	Eavg(lx)	Emax(lx)	D(cm)
1	8682	12512	37.36
2	2171	3128	74.72
3	964.7	1390	112.09
4	542.7	782	149.45
5	347.3	500.5	186.81

PL624 24W 4000K 60°



H(m)	Eavg(lx)	Emax(lx)	D(cm)
1	1563	2685	89.13
2	390.9	671.3	178.25
3	173.7	298.3	267.38
4	97.71	167.81	356.51
5	62.54	107.4	445.63

Unit: mm



Frame+body Material: Aluminium
 Available finishes: Powder Spraying
 Tempered Glass: 6mm ultra-white tempered glass
 LED brand: CREE/OSRAM/NICHIA
 Power Supply: External (CC)/Driver chip on board(CV)
 Installation: Surface mounted, Ambient temperature -20°C~+45°C
 Cable: Outdoor used rubber cable, 3M length
 Unit Weight: 2.1Kg
 Controls: ON/OFF(Non dim), 0/1-10V, DMX, PWM
 Protection Class: IP67
 Certificate: CE, Rohs, IP, ETL
 (LED)Averaged Lifetime: 50,000hrs

Please refer to pages 283-285 to choose a remote power supply.

IP67 rated
Waterproof performance

50000h
Long lifetime



Parameters

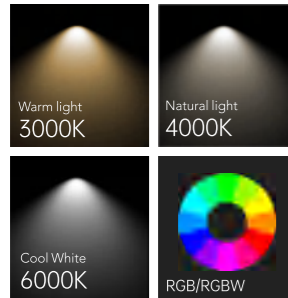
Power(W)	Source flux(lm)	Delivered flux(lm)	Applications	Product Code
24	3100	2600	Surface mounted	P1.0624 24
36	4000	3400	Surface mounted	P1.0624 36

Filter Structure		Power		Input	
Regular	01	24W	24	Constant current	0
Frosted glass	02	36W	36	DC12V	1
Opla plate	06			DC24V	2

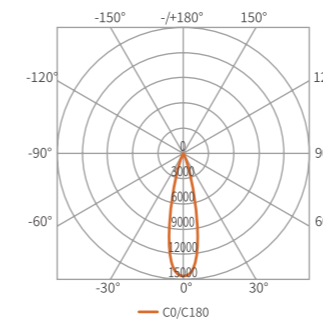
CCT Range		Optics		Controls	
3000K	3	20°	3	Constant current	0
4000K	5	45°	5	ON/OFF	1
6000K	8	60°	6	DMX512	2
RGB	D	120°	7	0/1-10V	3
RGBW	H			PWM	6

PL824

Surface Mounted Spot Light

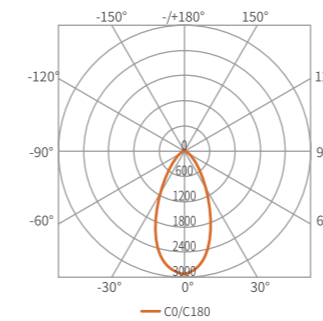


PL824 24W 4000K 20°



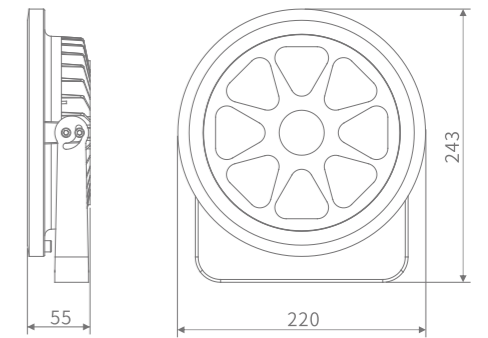
H(m)	Eavg(lx)	Emax(lx)	D(cm)
1	8682	12512	37.36
2	2171	3128	74.72
3	964.7	1390	112.09
4	542.7	782	149.45
5	347.3	500.5	186.81

PL824 24W 4000K 60°



H(m)	Eavg(lx)	Emax(lx)	D(cm)
1	1563	2685	89.13
2	390.9	671.3	178.25
3	173.7	298.3	267.38
4	97.71	167.81	356.51
5	62.54	107.4	445.63

Unit: mm



Frame+body Material: Aluminium
 Available finishes: Powder Spraying
 Tempered Glass: 10mm ultra-white tempered glass
 LED brand: CREE/OSRAM/NICHIA
 Power Supply: External (CC)/Driver chip on board(CV)
 Installation: Surface mounted, Ambient temperature -20°C~ +45°C
 Cable: Outdoor used rubber cable, 3M length
 Unit Weight: 2.1Kg
 Controls: ON/OFF(Non dim), 0/1-10V, DMX, PWM
 Protection Class: IP67
 Certificate: CE, Rohs, IP, ETL
 (LED)Averaged Lifetime: 50,000hrs

Please refer to pages 283-285 to choose a remote power supply.

IP67 rated
Waterproof performance

50000h
Long lifetime



Parameters

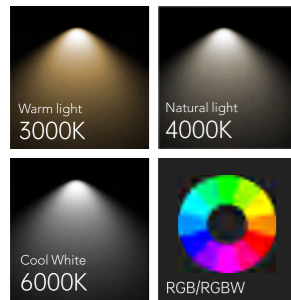
Power(W)	Source flux(lm)	Delivered flux(lm)	Applications	Product Code
24	3100	2600	Surface mounted	P1.0824 24W 4000K 20°
36	4000	3400	Surface mounted	P1.0824 36W 4000K 60°

Filter Structure	Icon	Power	Icon	Input	Icon
Regular	01	24W	24	Constant current	0
Frosted glass	02	36W	36	DC12V	1
Opla plate	06			DC24V	2

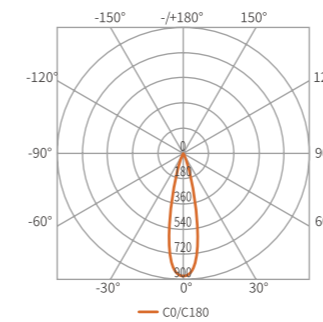
CCT Range	Icon	Optics	Icon	Controls	Icon
3000K	3	20°	3	Constant current	0
4000K	5	30°	4	ON/OFF	1
6000K	8	45°	5	DMX512	2
RGB	D	60°	6	0/1-10V	3
RGBW	H	120°	7	PWM	6

EU2001

Surface Mounted
Linear Light

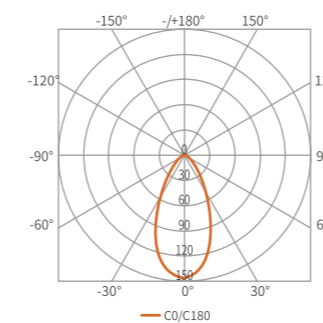


EU2001D 2W 4000K 20°



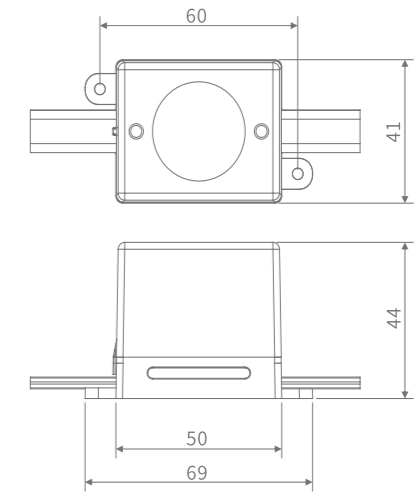
H(m)	Eavg(lx)	Emax(lx)	D(cm)
1	580.7	862.7	32.24
2	145.2	215.7	64.47
3	64.52	95.86	96.71
4	36.29	53.92	128.94
5	23.23	34.51	161.18

EU2001D 2W 4000K 60°



H(m)	Eavg(lx)	Emax(lx)	D(cm)
1	57.39	97.22	116.87
2	14.35	24.3	233.73
3	6.376	10.8	350.6
4	3.587	6.076	467.46
5	2.296	3.889	584.33

Unit: mm



Frame+body Material: Aluminium
 Available finishes: Oil Spraying
 Tempered Glass: 3mm ultra-white tempered glass
 LED brand: CREE/OSRAM/NICHIA
 Power Supply: External (CC)/Driver chip on board(CV)
 Installation: Surface mounted, Ambient temperature -20°C~ +45°C
 Cable: Outdoor used rubber cable, 3M length.
 Unit Weight: 0.15Kg
 Controls: ON/OFF(Non dim), 0/1-10V, DMX, PWM
 Protection Class: IP66
 Certificate: CE, Rohs, IP, ETL
 (LED)Averaged Lifetime: 50,000hrs.

Please refer to pages 283-285 to choose a remote power supply.

IP66 rated
Waterproof performance

50000h
Long lifetime



Parameters

Power(W)	Source flux(lm)	Delivered flux(lm)	Applications	Product Code
2	180	130	Surface mounted	P1.2001 ±02 ⚡ ⚡ ⚡ ⚡
3	300	220	Surface mounted	P1.2001 ±03 ⚡ ⚡ ⚡ ⚡

Filter Structure	☀	Power	①	Input	⚡
Regular	01	2W	02	Constant current	0
Frosted glass	02	3W	03	DC12V	1
Opla plate	06			DC24V	2

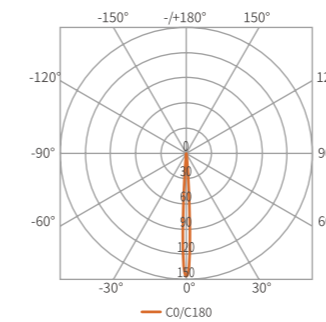
CCT Range	⊗	Optics	📐	Controls	⊕
3000K	3	20°	3	Constant current	0
4000K	5	30°	4	ON/OFF	1
6000K	8	45°	5	DMX512	2
RGB	D	60°	6	0/1-10V	3
RGBW	H			PWM	6

EU2006

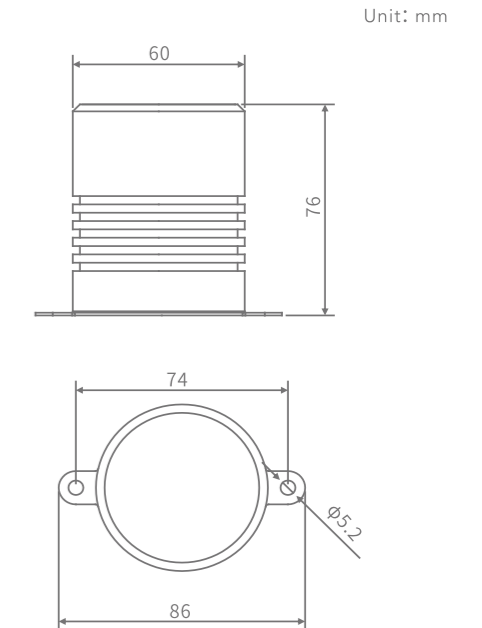
Surface Mounted
Linear Light



EU2006 7W 4000K 3°



H(m)	Eavg(lx)	Emax(lx)	D(cm)
1	27748	42407	8.82
2	6937	10602	17.64
3	3083	4712	26.46
4	1734	2650	35.27
5	1110	1696	44.09



Frame+body Material: Aluminium
 Available finishes: Anodized
 Tempered Glass: 5mm ultra-white tempered glass
 LED brand: CREE/OSRAM/NICHIA
 Power Supply: External (CC)/Driver chip on board(CV)
 Installation: Surface mounted, Ambient temperature -20°C~+45°C
 Cable: Outdoor used rubber cable, 1.1M length
 Unit Weight: 0.46Kg
 Controls: ON/OFF(Non dim), DMX, 0/1-10V, PWM
 Protection Class: IP67
 Certificate: CE, Rohs, IP, ETL
 (LED)Averaged Lifetime: 50,000hrs

Please refer to pages 283-285 to choose a remote power supply.

IP67 rated
Waterproof performance

50000h
Long lifetime



Parameters

Power(W)	Source flux(lm)	Delivered flux(lm)	Applications	Product Code
7	760	550	Surface mounted	P1.2006 ±07 ⚡ ⚡ ⚡ ⚡
9	930	670	Surface mounted	P1.2006 ±09 ⚡ ⚡ ⚡ ⚡
7	900(COB)	770	Surface mounted	P1.2006 ±07 ⚡ ⚡ ⚡ ⚡
9	1100(COB)	900	Surface mounted	P1.2006 ±09 ⚡ ⚡ ⚡ ⚡

Filter Structure	☀	Power	①	Input	⚡
Frosted glass	02	7W	07	Constant current	0
Half shaded glass	03	9W	09	DC24V	2
Honeycomb Louvre	08				
Anti-glare baffle	09				
COB	25				

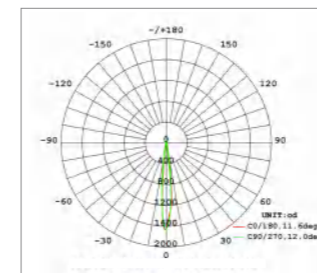
CCT Range	⊗	Optics	▾	Controls	⊕
3000K	3	3°	A	ON/OFF	1
4000K	5	15°	2	DMX	2
6000K	8	24°	Q	0/1-10V	3
		36°	E	PWM	6
		50°	F		

EU3085

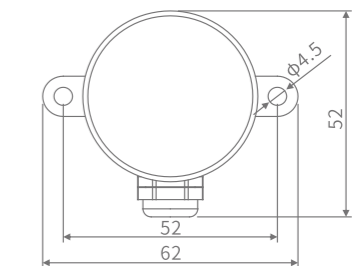
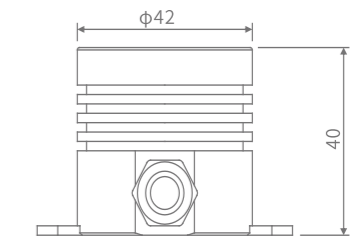
Surface Mounted
Wall Light



EU3085 3W 3000K 10°



H(m)	Eavg(lx)	Emax(lx)	D(cm)
1	1175	1672	20.48
2	293.8	418.1	40.95
3	130.6	185.8	61.43
4	73.45	104.5	81.90
5	47.01	66.89	102.38



Unit: mm



Frame+body Material: Aluminium
 Available finishes: Anodized
 Tempered Glass: 4mm ultra-white tempered glass
 LED brand: CREE/OSRAM/NICHIA
 Power Supply: External (CC)/Driver chip on board(CV)
 Installation: Surface mounted, Ambient temperature -20°C~+45°C
 Cable: Outdoor used rubber cable, 1.1M length
 Unit Weight: 0.8Kg
 Controls: ON/OFF(Non dim), Constant Current
 Protection Class: IP67
 Certificate: CE, Rohs, IP, ETL
 (LED)Averaged Lifetime: 50,000hrs

Please refer to pages 283-285 to choose a remote power supply.

IP67 rated
Waterproof performance

50000h
Long lifetime



Parameters

Power(W)	Source flux(lm)	Delivered flux(lm)	Applications	Product Code
3	300	170	Surface mounted	P1.3085 ±03 ⚡ ⚡ ⚡

Filter Structure	☀	Power	①	Input	⚡
Regular	01	3W	03	Constant current DC24V	0 2

CCT Range	⊗	Optics	↙	Controls	⊕
3000K	3	10°	1	Constant current	0
4000K	5	20°	3	ON/OFF	1
6000K	8	30°	4		
		45°	5		
		60°	6		

05

Line Light



Product Guidance



IMAGE	PRODUCT CODE	POWER	OPTICS (°)	CCT (K)	IP	PAGE
	EU2004	15	120	Single/ full colour	65	191/192 ▶
	EU2007	12	120	Single/ full colour	65	193/194 ▶
	EU2008	12	120	Single/ full colour	65	195/196 ▶
	EU2011	24	15/20/30/45/60/10*60	Single/ full colour	65	197/198 ▶
	EU2012	36	15/20/30/45/60/10*60	Single/ full colour	65	199/200 ▶
	EU2018	48	15/20/30/45/60/10*60	Single/ full colour	67	201/202 ▶
	EU2009	12	120	Single/ full colour	67	203/204 ▶
	EU2009HP	18	10/20/30/60/10*40	Single/ full colour	67	205/206 ▶
	LL700	26	15/20/30/45/60/10*60	Single/ full colour	67	207/208 ▶
	LL710	26	15/20/30/45/60/10*60	Single/ full colour	67	209/210 ▶

05

EURBORN

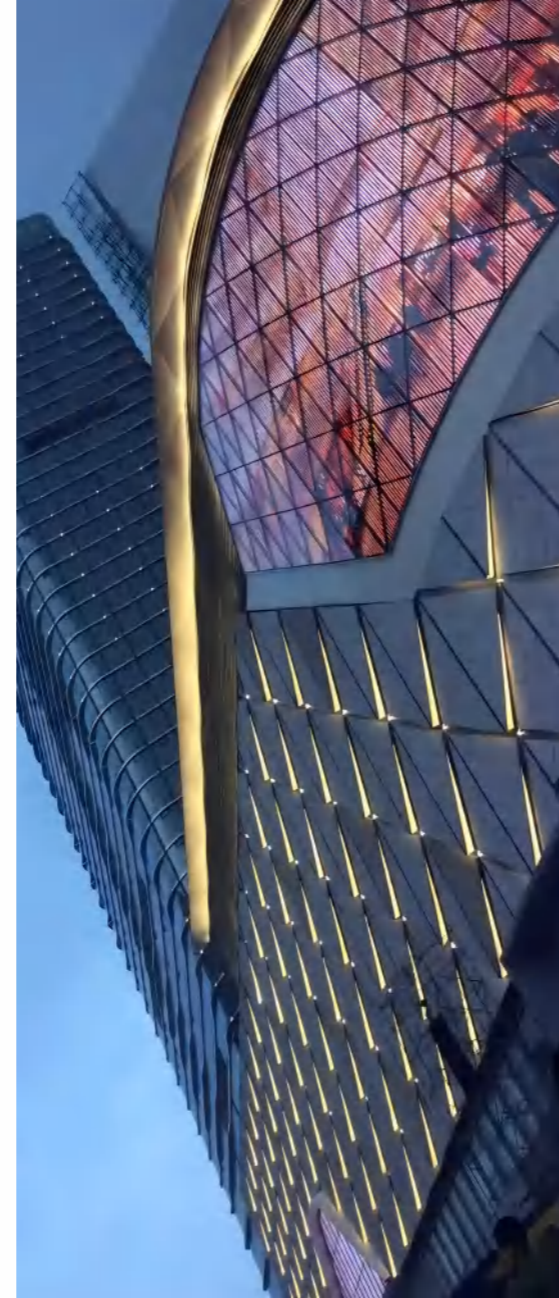
Line Light

Eurborn Linear Light, with stable light source, uniform light distribution, can be friendly to use for different environments, its design style is simple, modern appearance, can be coordinated and complementary with a variety of indoor and outdoor design styles.

Built and assembled by professional engineers with 20 years of experience using cutting-edge technology, Eurborn Linear Lights have lower energy consumption and longer service life than traditional lamps.

Multiple robust protection, waterproof and corrosion resistance, to ensure the safety of lamp operation, can be well adapted to changes in the external environment, and can greatly reduce maintenance and operating costs.

Eurborn Linear Light, with outstanding quality and fashionable designs, they are exported to 135 countries and regions, and have been well received by users



Color temperature range

1800K--6500K

- ✓ High dustproof and waterproof
- ✓ >50000hrs lifetime
- ✓ -20°C~+45°C Ambient temperature
- ✓ Multiple layers sealing
- ✓ Surface oxidation
- ✓ ≥3M cable
- ✓ 10mm wear-resistant tempered glass
- ✓ High quality LED
- ✓ RGBW



Surface oxidation treatment

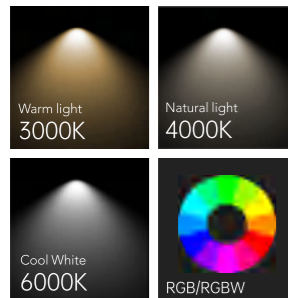
Multiple security protection

-20°C~+45°C Ambient temperature

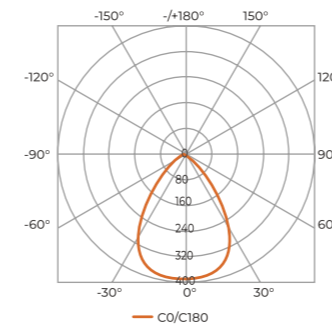


EU2007

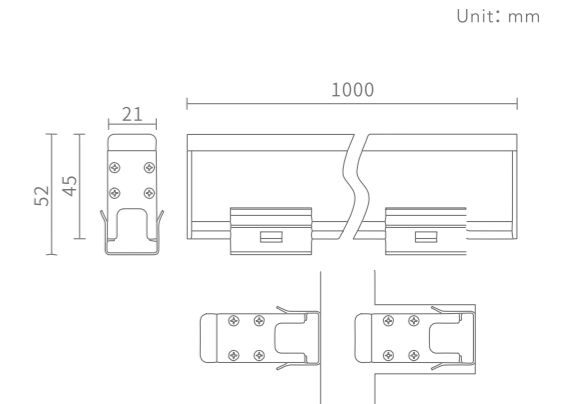
Surface Mounted
Linear Light



EU2007 12W 4000K 120°



H(m)	Eavg(lx)	Emax(lx)	D(cm)
1	113.9	373.2	293.24
2	28.48	93.30	586.48
3	12.66	41.47	879.72
4	7.12	23.32	1172.97
5	4.557	14.93	1466.21



Unit: mm



Frame+body Material: Aluminium
 Available finishes: Anodized
 Tempered Glass: PC
 LED brand: CREE/OSRAM/NICHIA
 Power Supply: External (CC)/Driver chip on board(DC)
 Installation: Surface mounted, Ambient temperature -20°C~+45°C
 Cable: Outdoor used rubber cable, 0.3M length
 Unit Weight: 1Kg
 Controls: ON/OFF(Non dim), 0/1-10V, DMX, PWM
 Protection Class: IP65
 Certificate: CE, Rohs, IP, ETL
 (LED)Averaged Lifetime: 50,000hrs

Please refer to pages 283-285 to choose a remote power supply.

IP65 rated
Waterproof performance

50000h
Long lifetime



Parameters

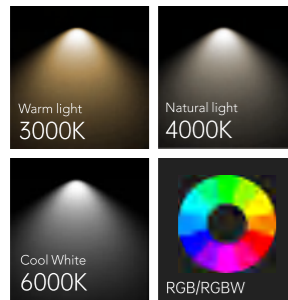
Power(W)	Source flux(lm)	Delivered flux(lm)	Applications	Product Code
12	1000	450	Surface mounted	L1.2007

Filter Structure		Power		Input	
Regular	01	12W	12	Constant current DC24V	0 2

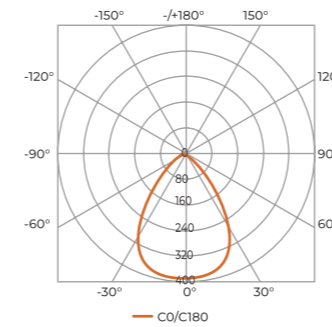
CCT Range		Optics		Controls	
3000K 4000K 6000K RGB RGBW	3 5 8 D H	120°	7	Constant current ON/OFF DMX512 0/1-10V PWM	0 1 2 3 6

EU2008

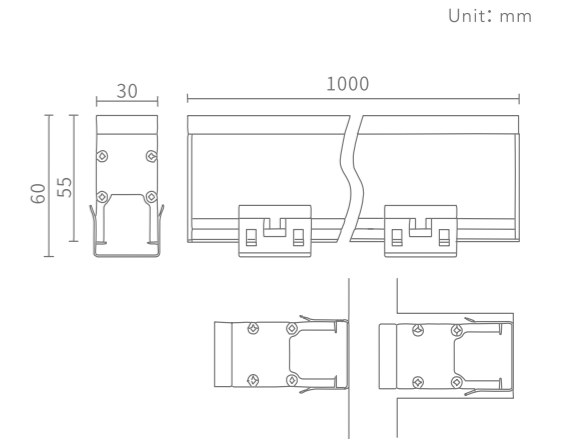
Surface Mounted
Linear Light



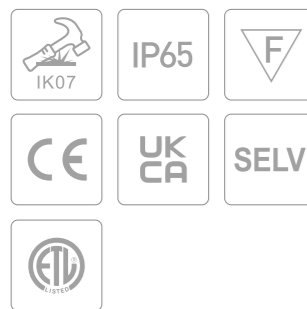
EU2008 12W 4000K 120°



H(m)	Eavg(lx)	Emax(lx)	D(cm)
1	113.9	373.2	293.24
2	28.48	93.30	586.48
3	12.66	41.47	879.72
4	7.12	23.32	1172.97
5	4.557	14.93	1466.21



Unit: mm

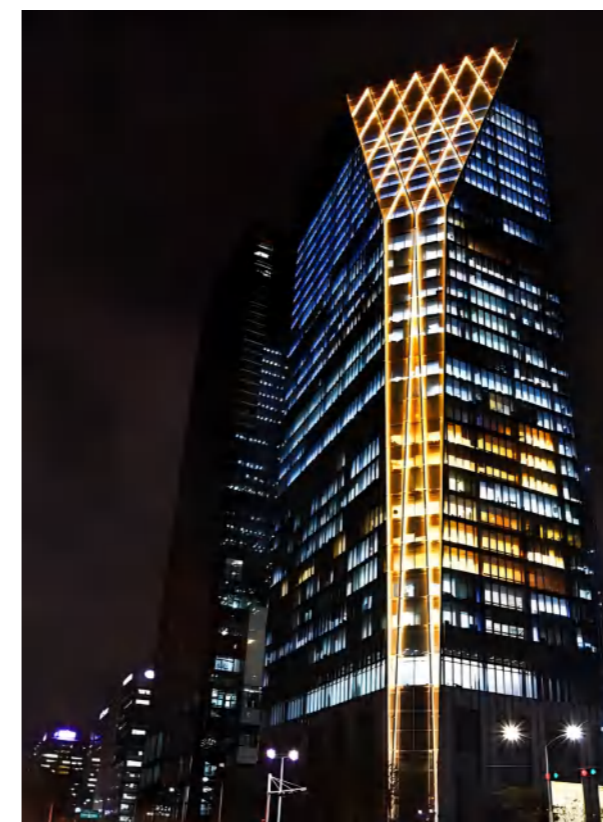


Frame+body Material: Aluminium
 Available finishes: Anodized
 Tempered Glass: PC
 LED brand: CREE/OSRAM/NICHIA
 Power Supply: External (CC)/Driver chip on board(DC)
 Installation: Surface mounted, Ambient temperature -20°C~+45°C
 Cable: Outdoor used rubber cable, 0.3M length
 Unit Weight: 1.5Kg
 Controls: ON/OFF(Non dim), 0/1-10V, DMX, PWM
 Protection Class: IP65
 Certificate: CE, Rohs, IP, ETL
 (LED)Averaged Lifetime: 50,000hrs

Please refer to pages 283-285 to choose a remote power supply.

IP65 rated
Waterproof performance

50000h
Long lifetime



Parameters

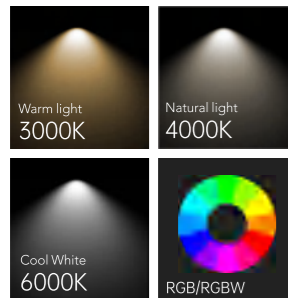
Power(W)	Source flux(lm)	Delivered flux(lm)	Applications	Product Code
12	1000	450	Surface mounted	L1.2008

Filter Structure		Power		Input	
Regular	01	12W	12	Constant current DC24V	0 2

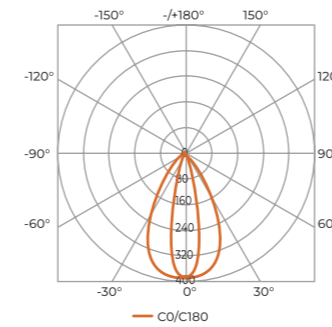
CCT Range		Optics		Controls	
3000K 4000K 6000K RGB RGBW	3 5 8 D H	120°	7	Constant current ON/OFF DMX512 0/1-10V PWM	0 1 2 3 6

EU2011

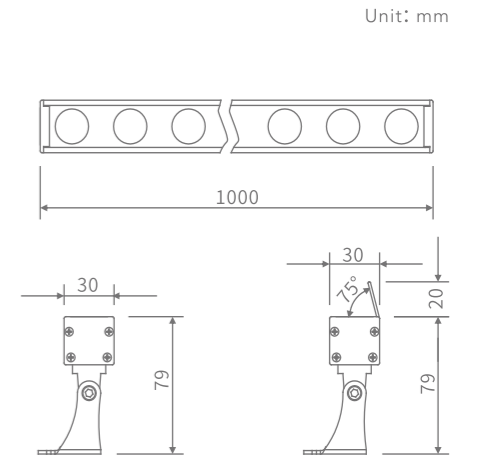
Surface Mounted
Linear Light



EU2011 24W 3000K 10X60°



H(m)	Eavg(lx)	Emax(lx)	D(cm)
1	2496	3504	39
2	623	876	78
3	277	389	117
4	156	219	156
5	99	140	195



Unit: mm



Frame+body Material: Aluminium
 Available finishes: Powder Spraying
 Tempered Glass: 4mm ultra-white tempered glass
 LED brand: CREE/OSRAM/NICHIA
 Power Supply: External (CC)/Driver chip on board(DC)
 Installation: Surface mounted, Ambient temperature -20°C~+45°C
 Cable: Outdoor used rubber cable, 0.3M length
 Unit Weight: 0.8Kg
 Controls: ON/OFF(Non dim), 0/1-10V, DMX, PWM
 Protection Class: IP65
 Certificate: CE, Rohs, IP, ETL
 (LED)Averaged Lifetime: 50,000hrs

Please refer to pages 283-285 to choose a remote power supply.

IP65 rated
Waterproof performance

50000h
Long lifetime



Parameters

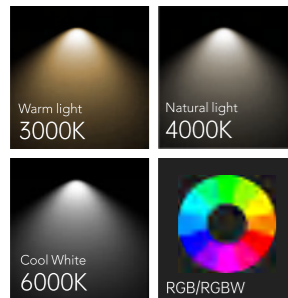
Power(W)	Source flux(lm)	Delivered flux(lm)	Applications	Product Code
18	1500	1100	Surface mounted	L1.2011 18 18 18 18 18
24	2000	1500	Surface mounted	L1.2011 24 24 24 24 24

Filter Structure	☀	Power	①	Input	⚡
Regular	01	18W	18	Constant current	0
Glare shield	54	24W	24	DC24V	2

CCT Range	⊗	Optics	📐	Controls	⊕
3000K	3	20°	3	Constant current	0
4000K	5	30°	4	ON/OFF	1
6000K	8	45°	5	DMX512	2
RGB	D	60°	6	0/1-10V	3
RGBW	H			PWM	6

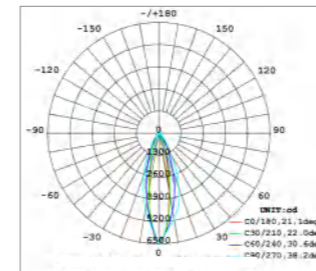
EU2012

Surface Mounted
Linear Light

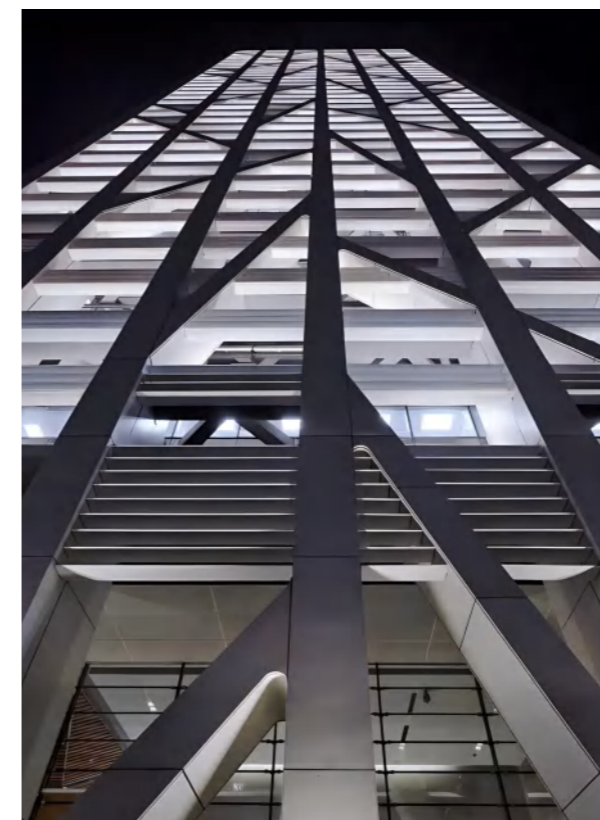
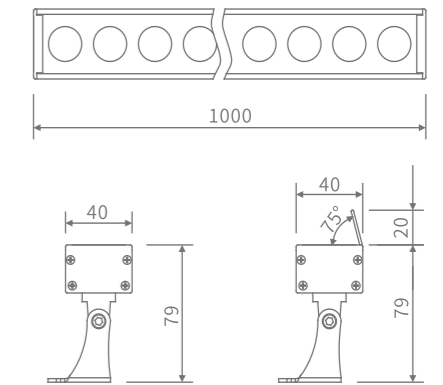


EU2012 36W 3000K 30°

Unit: mm



H(m)	Eavg(lx)	Emax(lx)	D(cm)
1	4565	6373	37.25
2	1141	1593	74.51
3	507.3	708.1	111.76
4	285.3	398.3	149.01
5	182.6	254.9	186.27



Parameters

Power(W)	Source flux(lm)	Delivered flux(lm)	Applications	Product Code
18	1500	1100	Surface mounted	L1.2012 18 18 18 18
24	2000	1500	Surface mounted	L1.2012 24 24 24 24
36	3000	2000	Surface mounted	L1.2012 36 36 36 36

Filter Structure	☀	Power	①	Input	⚡
Regular	01	18W 24W 36W	18 24 36	Constant current DC24V	0 2

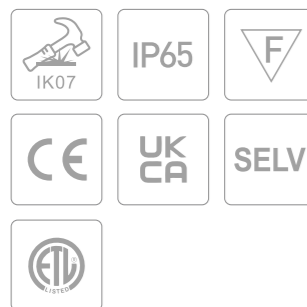
CCT Range	⊞	Optics	▾	Controls	⊞
3000K	3	20°	3	Constant current	0
4000K	5	30°	4	ON/OFF	1
6000K	8	45°	5	DMX512	2
RGB	D	60°	6	0/1-10V	3
RGBW	H			PWM	6

Frame+body Material: Aluminium
 Available finishes: Powder Spraying
 Tempered Glass: 4mm ultra-white tempered glass
 LED brand: CREE/OSRAM/NICHIA
 Power Supply: External (CC)/Driver chip on board(DC)
 Installation: Surface mounted, Ambient temperature -20°C~+45°C
 Cable: Outdoor used rubber cable, 0.3M length
 Unit Weight: 0.8Kg
 Controls: ON/OFF(Non dim), 0/1-10V, DMX, PWM
 Protection Class: IP65
 Certificate: CE, Rohs, IP, ETL
 (LED)Averaged Lifetime: 50,000hrs

Please refer to pages 283-285 to choose a remote power supply.

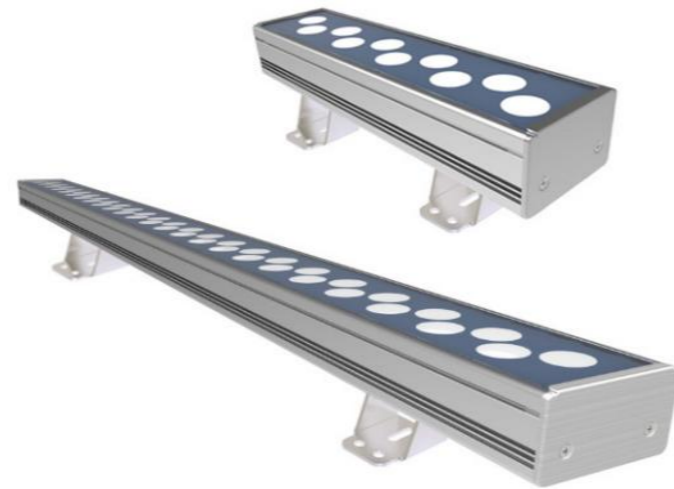
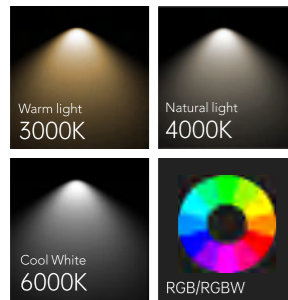
IP65 rated
Waterproof performance

50000h
Long lifetime

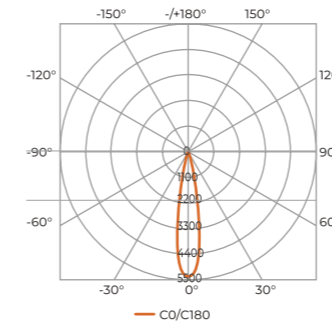


EU2018

Surface Mounted
Linear Light

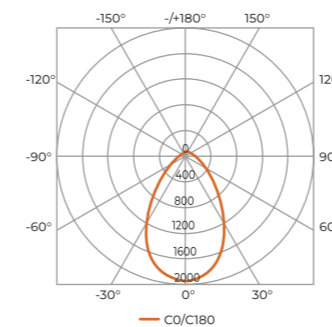


EU2018 24W 4000K 20°



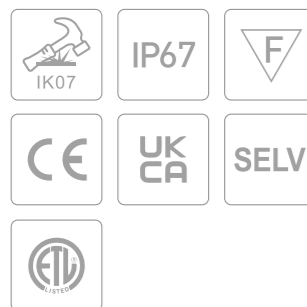
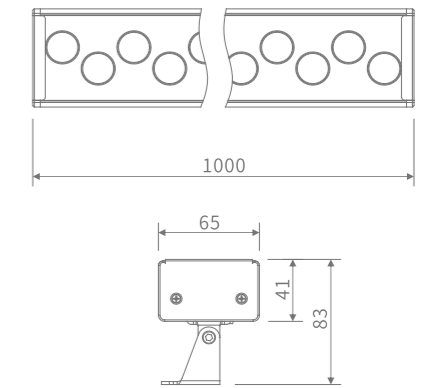
H(m)	Eavg(lx)	Emax(lx)	D(cm)
1	18295	28092	30.38
2	4574	7023	60.75
3	2033	3121	71.13
4	1143	1756	121.5
5	731.8	1124	151.88

EU2018 24W 4000K 60°



H(m)	Eavg(lx)	Emax(lx)	D(cm)
1	3661	5211	37.47
2	915.2	1303	74.94
3	406.8	579	112.41
4	228.8	325.7	149.88
5	146.4	208.4	187.35

Unit: mm

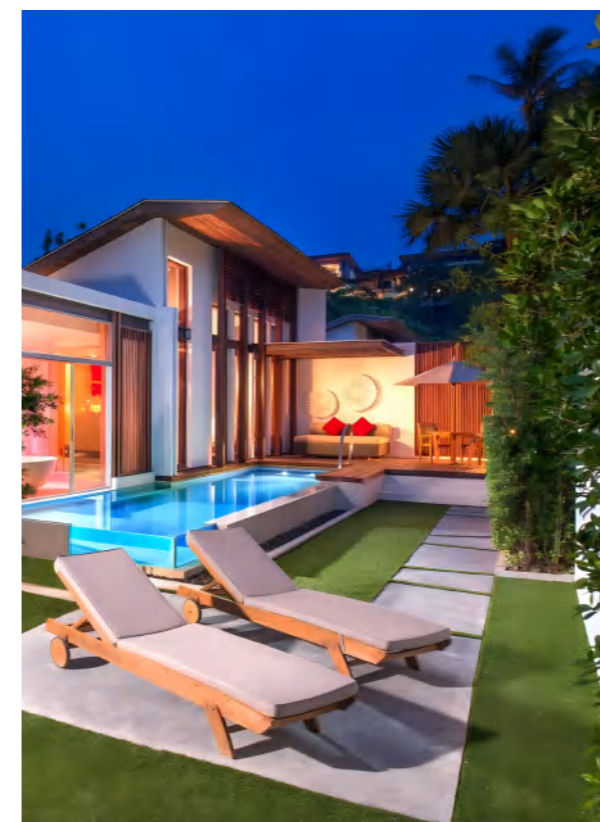


Frame+body Material: Aluminium
 Available finishes: Anodized
 Tempered Glass: 5mm ultra-white tempered glass
 LED brand: CREE/OSRAM/NICHIA
 Power Supply: External (CC)/Driver chip on board(DC)
 Installation: Surface mounted, Ambient temperature -20°C~+45°C
 Cable: Outdoor used rubber cable, 1.1M length
 Unit Weight: 4Kg
 Controls: ON/OFF(Non dim), 0/1-10V, DMX, PWM
 Protection Class: IP67
 Certificate: CE, Rohs, IP, ETL
 (LED)Averaged Lifetime: 50,000hrs

Please refer to pages 283-285 to choose a remote power supply.

IP67 rated
Waterproof performance

50000h
Long lifetime



Parameters

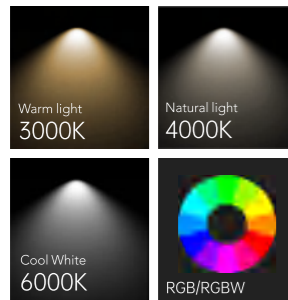
Power(W)	Source flux(lm)	Delivered flux(lm)	Applications	Product Code
24	3050	2500	Surface mounted	L1.2018 24 24 24 24
48	6100	5100	Surface mounted	L1.2018 48 48 48 48
72	7950	6600	Surface mounted	L1.2018 72 72 72 72

Filter Structure	☀	Power	①	Input	⚡
Regular	01	24W	24	Constant current	0
		48W	48	DC24V	2
		72W	72		

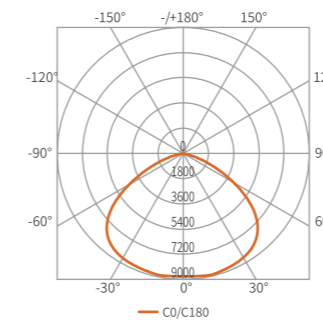
CCT Range	⊞	Optics	📐	Controls	⊞
3000K	3	20°	3	Constant current	0
4000K	5	30°	4	ON/OFF	1
6000K	8	45°	5	DMX512	2
RGB	D	60°	6	0/1-10V	3
RGBW	H			PWM	6

EU2009

Surface Mounted
Linear Light

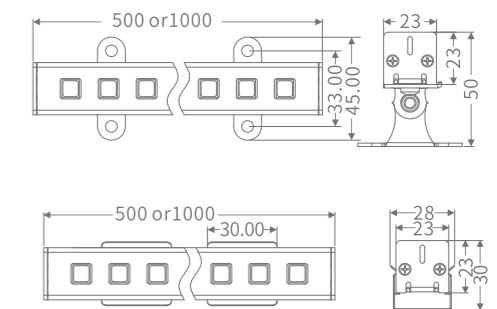


EU2009 12W 4000K 120°



H(m)	Eavg(lx)	Emax(lx)	D(cm)
1	141.1	451.1	286.69
2	35.27	112.8	537.38
3	15.67	50.12	860.08
4	8.817	28.19	1146.77
5	5.643	18.04	1433.46

Unit: mm

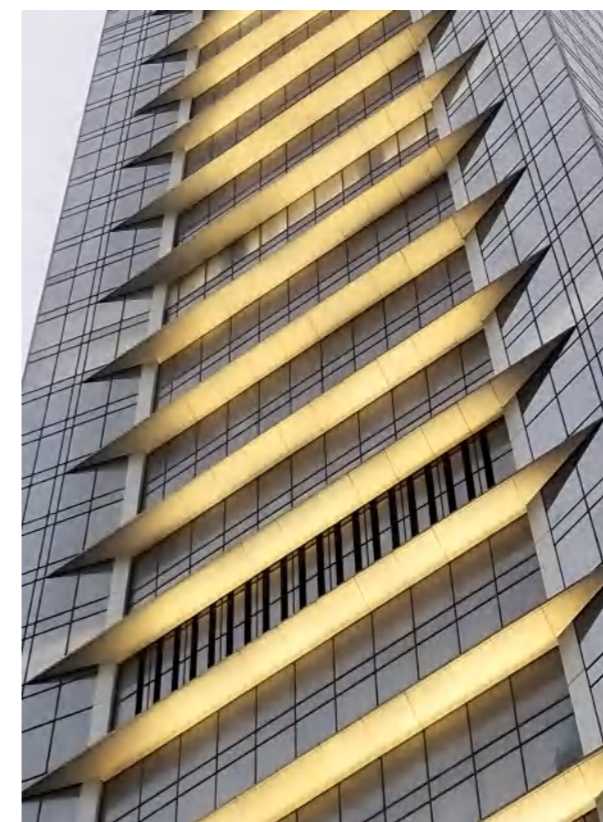


Frame+body Material: Aluminium
 Available finishes: Anodized
 Tempered Glass: PC
 LED brand: CREE/OSRAM/NICHIA
 Power Supply: External (CC)/Driver chip on board(DC)
 Installation: Surface mounted, Ambient temperature -20°C~+45°C
 Cable: Outdoor used rubber cable, 1.1M length
 Unit Weight: 0.8Kg
 Controls: ON/OFF(Non dim), 0/1-10V, DMX, PWM
 Protection Class: IP67
 Certificate: CE, Rohs, IP, ETL
 (LED)Averaged Lifetime: 50,000hrs

Please refer to pages 283-285 to choose a remote power supply.

IP67 rated
Waterproof performance

50000h
Long lifetime



Parameters

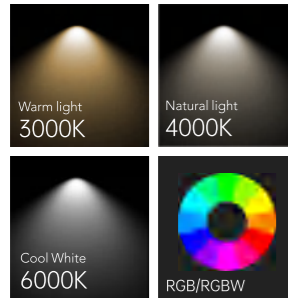
Power(W)	Source flux(lm)	Delivered flux(lm)	Applications	Product Code
6	500	300	Surface mounted	L1.2009 ±06 ⚡⚡⚡⚡⚡⚡
12	1000	600	Surface mounted	L1.2009 ±12 ⚡⚡⚡⚡⚡⚡

Filter Structure	☀️	Power	Ⓜ️	Input	⚡
Regular	01	6W 12W	06 12	Constant current DC24V	0 2

CCT Range	🌈	Optics	📐	Controls	Ⓜ️
3000K	3	120°	7	Constant current	0
4000K	5			ON/OFF	1
6000K	8			DMX512	2
RGB	D			0/1-10V	3
RGBW	H			PWM	6

EU2009HP

Surface Mounted
Linear Light



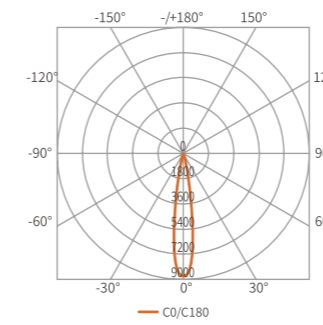
Frame+body Material: Aluminium
 Available finishes: Anodized
 Tempered Glass: PC
 LED brand: CREE/OSRAM/NICHIA
 Power Supply: External (CC)/Driver chip on board(DC)
 Installation: Surface mounted, Ambient temperature -20°C~ +45°C
 Cable: Outdoor used rubber cable, 1.1M length
 Unit Weight: 0.8Kg
 Controls: ON/OFF(Non dim), 0/1-10V, DMX, PWM
 Protection Class: IP67
 Certificate: CE, Rohs, IP, ETL
 (LED)Averaged Lifetime: 50,000hrs

Please refer to pages 283-285 to choose a remote power supply.

IP67 rated
Waterproof performance

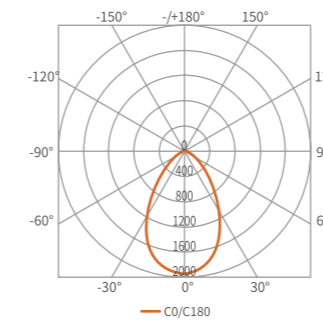
50000h
Long lifetime

EU2009HP 18W 4000K 20°



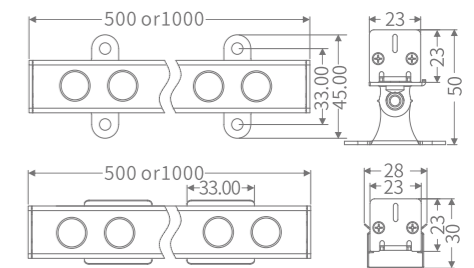
H(m)	Eavg(lx)	Emax(lx)	D(cm)
1	25001	40792	8.57
2	6250	10198.0	17.15
3	2778	4532	25.72
4	1563	2550	34.3
5	1000	1632	42.87

EU2009HP 18W 4000K 60°



H(m)	Eavg(lx)	Emax(lx)	D(cm)
1	1183	1887	81.11
2	295.7	471.8	162.21
3	131.4	209.7	243.32
4	73.92	117.9	324.42
5	47.31	75.48	405.53

Unit: mm



Parameters

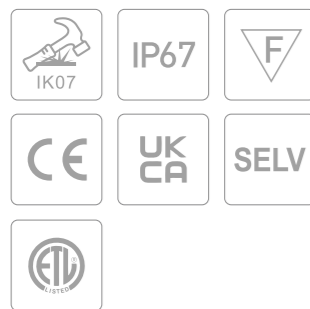
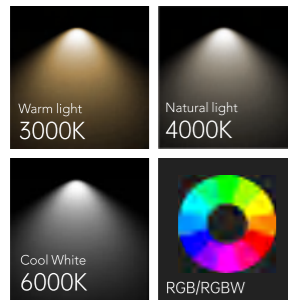
Power(W)	Source flux(lm)	Delivered flux(lm)	Applications	Product Code
9	1100	850	Surface mounted	L1.2009 ±09 ⚡⚡⚡⚡⚡
18	2300	1750	Surface mounted	L1.2009 ±18 ⚡⚡⚡⚡⚡

Filter Structure	☀️	Power	Ⓜ️	Input	⚡
Regular	01	9W 18W	09 18	Constant current DC24V	0 2

CCT Range	🌈	Optics	📐	Controls	Ⓜ️
3000K	3	20°	3	Constant current	0
4000K	5	30°	4	ON/OFF	1
6000K	8	45°	5	DMX512	2
RGB	D	60°	6	0/1-10V	3
RGBW	H			PWM	6

LL700

Surface Mounted
Linear Light



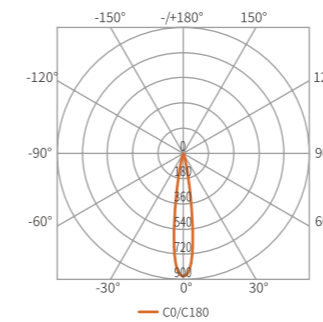
Frame+body Material: Aluminium
 Available finishes: Anodized
 Tempered Glass: 6mm ultra-white tempered glass
 LED brand: CREE/OSRAM/NICHIA
 Power Supply: External (CC)/Driver chip on board(DC)
 Installation: Surface mounted, Ambient temperature -20°C~+45°C
 Cable: Outdoor used rubber cable, 1.1M length
 Unit Weight: 1.8Kg
 Controls: ON/OFF(Non dim), 0/1-10V, DMX, PWM
 Protection Class: IP67
 Certificate: CE, Rohs, IP, ETL
 (LED)Averaged Lifetime: 50,000hrs

Please refer to pages 283-285 to choose a remote power supply.

IP67 rated
Waterproof performance

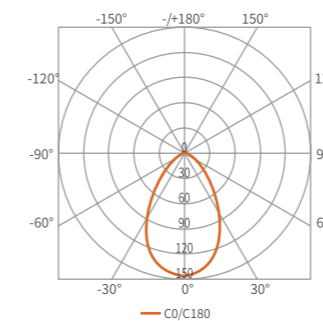
50000h
Long lifetime

LL700 24W 4000K 20°



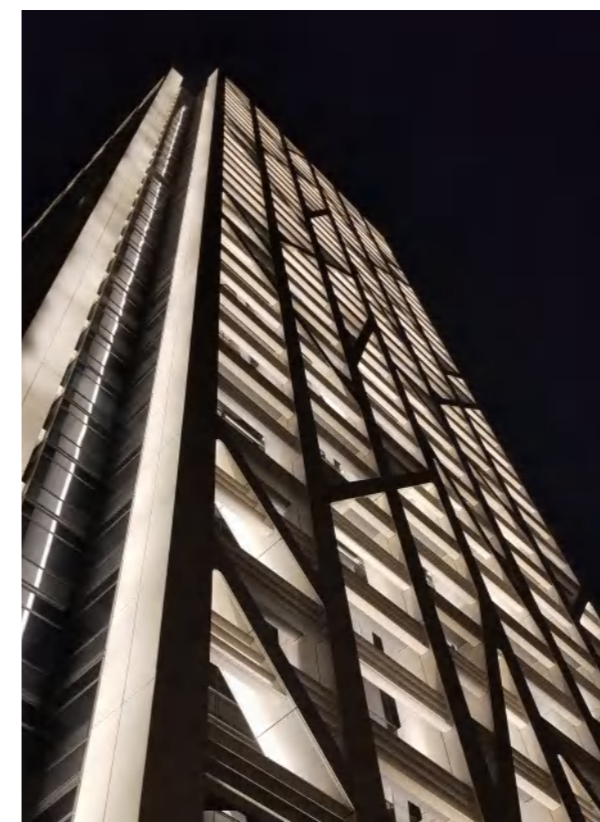
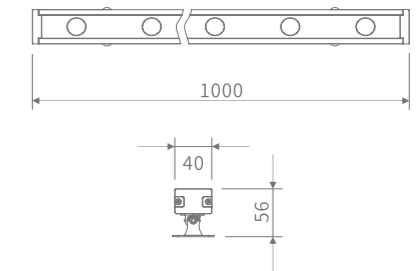
H(m)	Eavg(lx)	Emax(lx)	D(cm)
1	8004	11979	27.44
2	2001	2995	54.87
3	899.3	1331	82.31
4	500.3	748.7	109.74
5	320.2	479.21	137.18

LL700 24W 4000K 60°



H(m)	Eavg(lx)	Emax(lx)	D(cm)
1	1116	1865	116
2	279	466.3	232
3	124	207.2	348
4	69.75	116.6	464.01
5	44.64	74.6	580.01

Unit: mm



Parameters

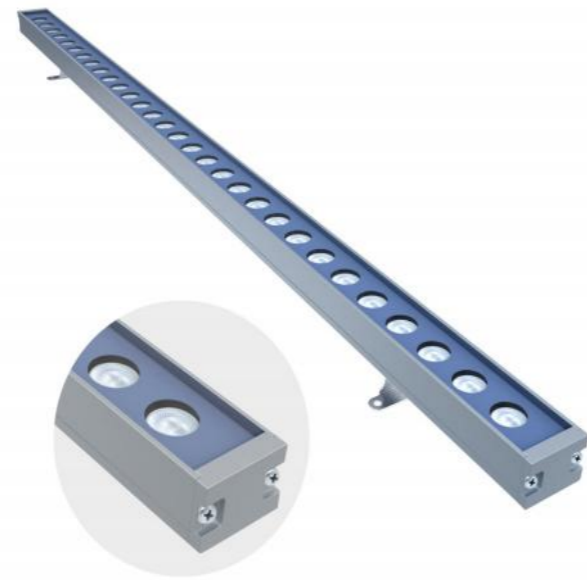
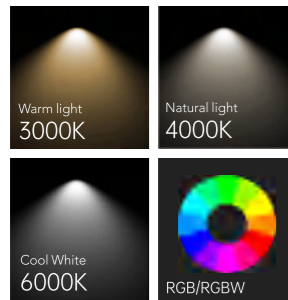
Power(W)	Source flux(lm)	Delivered flux(lm)	Applications	Product Code
13	1650	1200	Surface mounted	L1.0700 ±13
24	3150	2350	Surface mounted	L1.0700 ±24
36	4100	3100	Surface mounted	L1.0700 ±36

Filter Structure	☀	Power	Ⓜ	Input	⚡
Regular	01	13W	13	Constant current	0
Opla plate	06	24W	24	DC24V	2
Transversal Louvre	19	36W	36		

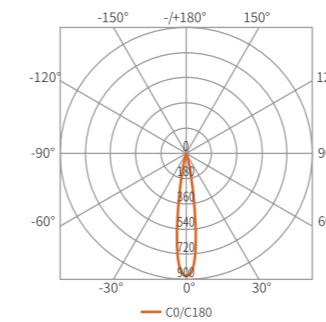
CCT Range	⊗	Optics	📐	Controls	⊕
3000K	3	20°	3	Constant current	0
4000K	5	30°	4	ON/OFF	1
6000K	8	45°	5	DMX512	2
RGB	D	60°	6	0/1-10V	3
RGBW	H			PWM	6

LL710

Surface Mounted
Linear Light

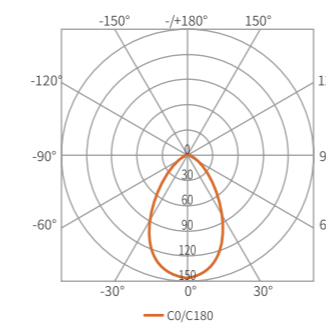


LL710 13W 4000K 20°

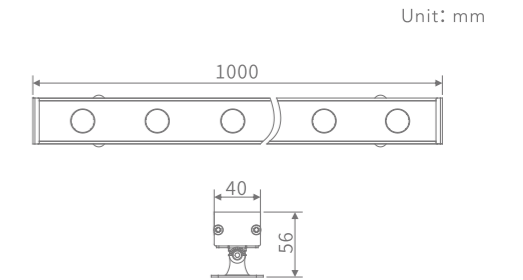


H(m)	Eavg(lx)	Emax(lx)	D(cm)
1	8004	11979	27.44
2	2001	2995	54.87
3	899.3	1331	82.31
4	500.3	748.7	109.74
5	320.2	479.21	137.18

LL710 13W 4000K 60°



H(m)	Eavg(lx)	Emax(lx)	D(cm)
1	1116	1865	116
2	279	466.3	232
3	124	207.2	348
4	69.75	116.6	464.01
5	44.64	74.6	580.01



Unit: mm



Frame+body Material: Aluminium
 Available finishes: Anodized
 Tempered Glass: 5mm ultra-white tempered glass
 LED brand: CREE/OSRAM/NICHIA
 Power Supply: External (CC)/Driver chip on board(DC)
 Installation: Surface mounted, Ambient temperature -20°C~+45°C
 Cable: Outdoor used rubber cable, 1.1M length
 Unit Weight: 1.5Kg
 Controls: ON/OFF(Non dim), 0/1-10V, DMX, PWM
 Protection Class: IP67
 Certificate: CE, Rohs, IP, ETL
 (LED)Averaged Lifetime: 50,000hrs

Please refer to pages 283-285 to choose a remote power supply.

IP67 rated
Waterproof performance

50000h
Long lifetime



Parameters

Power(W)	Source flux(lm)	Delivered flux(lm)	Applications	Product Code
13	1650	1050	Surface mounted	L1.0710 ±13
24	3150	1950	Surface mounted	L1.0710 ±24
36	4100	2700	Surface mounted	L1.0710 ±36

Filter Structure	☀	Power	①	Input	⚡
Regular	01	13W	13	Constant current	0
		24W	24	DC24V	2
		36W	36		

CCT Range	⊗	Optics	📐	Controls	⊕
3000K	3	20°	3	Constant current	0
4000K	5	30°	4	ON/OFF	1
6000K	8	45°	5	DMX512	2
RGB	D	60°	6	0/1-10V	3
RGBW	H			PWM	6

06

Wall Light



Product Guidance



IMAGE	PRODUCT CODE	POWER	OPTICS (°)	CCT (K)	IP	PAGE
	EU1811-1A-P1	24	15/24/36/60	Single	67	215/216 ▶
	EU1811-1A-P2	48	15/24/36/60	Single	67	217/218 ▶
	EU1808B	3	60	Single	67	219/220 ▶
	EU1820	1	70	Single	65	221/222 ▶
	ML101	1	-	Single/ full colour	68	223/224 ▶
	ML102	2	20/60	Single	65	225/226 ▶
	ML103	1	-	Single/ full colour	65	227/228 ▶
	ML104	1	-	Single/ full colour	68	229/230 ▶
	ML110 ML220	2	20/60	Single	65	231/232 ▶
	EU2501	7	Special angle	Single	65	233/234 ▶
	EU1837	2	120	Single/ full colour	65	235/236 ▶
	GL125J	1	20/60	Single	68	237/238 ▶
	EU1831	2	120	Single	65	239/240 ▶

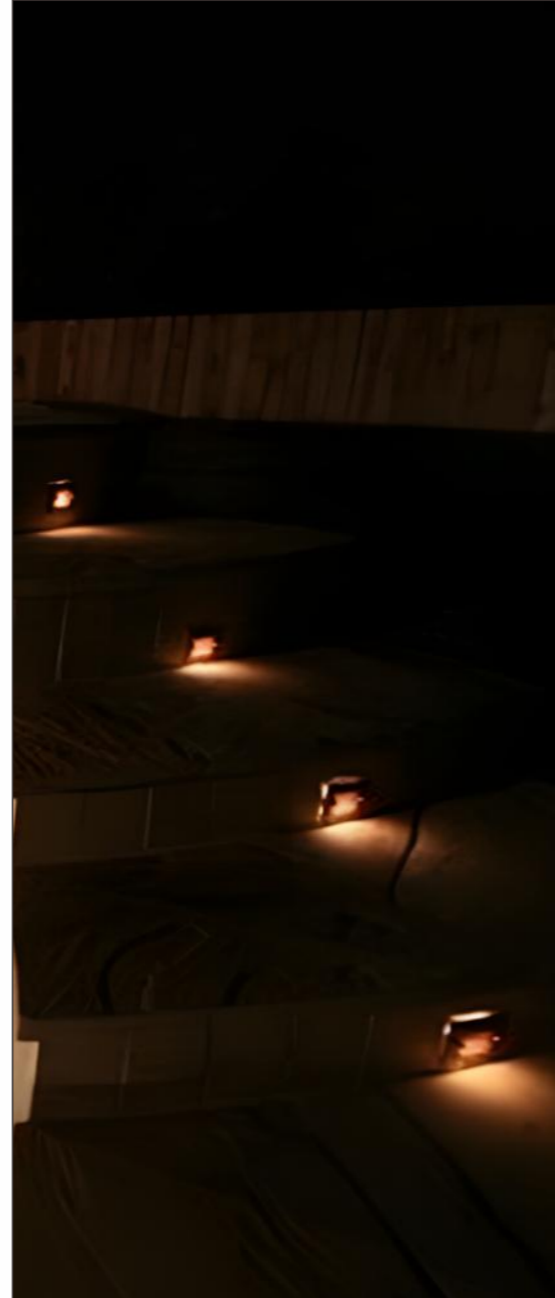
06

EURBORN

Wall Light

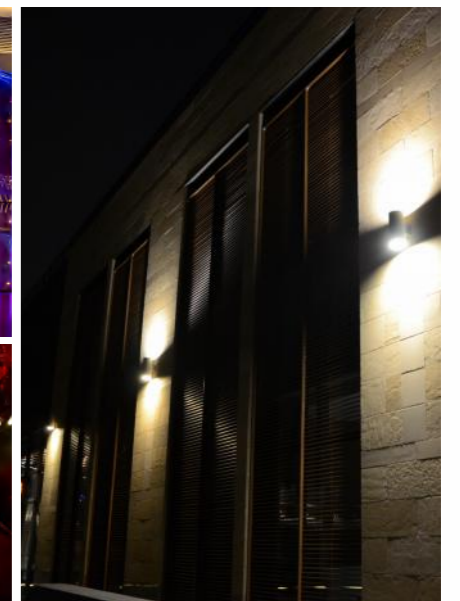
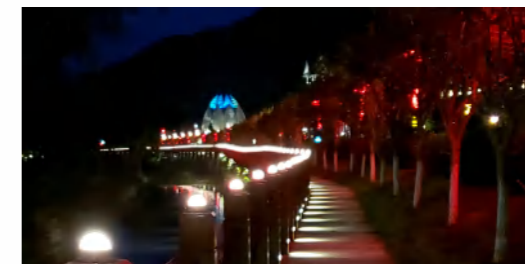
Eurborn Wall Light, with a variety of styles and design concepts, can be well matched to a variety of indoor and outdoor styles, it has the effect of beautifying the space. Compact design of lamps, both artistic, can be cleverly integrated with the building, saving space. Diffuse lighting mode, gentle light source, reduce glare, and flexible installation, also the height and position can be adjusted according to actual needs to adapt to different space requirements. Compare with traditional lamps on the market, Our integral LED package has lower energy consumption, better heat dissipation, longer service life and reduced maintenance and operating costs.

Eurborn Wall Light are widely used in hotels, shopping malls, offices, homes and other commercial places, both beautiful and practical. With outstanding quality and fashionable designs, they are exported to 135 countries and regions, and have been well received by users



Color temperature range
1800K--6500K

- ✓ High dustproof and waterproof
- ✓ >50000hrs lifetime
- ✓ -20°C~+45°C Ambient temperature
- ✓ Surface oxidation
- ✓ ≥3M cable
- ✓ 10mm wear-resistant tempered glass
- ✓ High quality LED
- ✓ RGBW



Surface oxidation treatment

Multiple security protection

-20°C~+45°C Ambient temperature

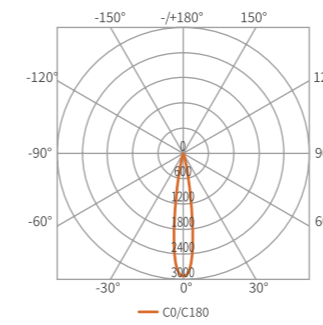


EU1811-1A-P1

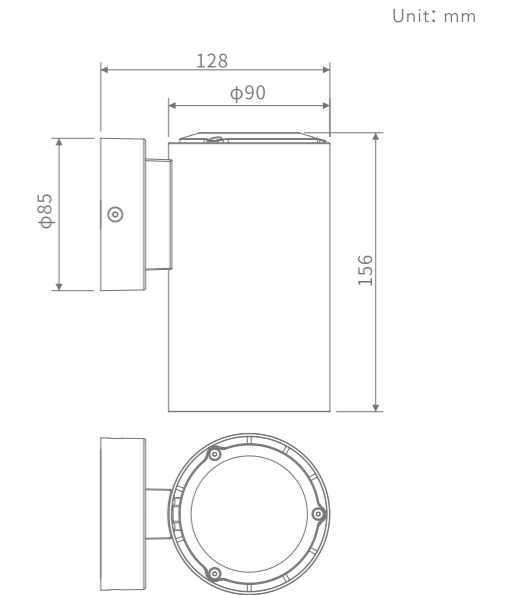
Surface Mounted Wall Light



EU1811 24W 4000K 24°



H(m)	Eavg(lx)	Emax(lx)	D(cm)
1	1652	2412	102.34
2	413	602.9	204.69
3	183.6	268	307.3
4	103.3	150.7	409.37
5	66.08	96.47	511.72



Unit: mm



Frame+body Material: Aluminium
 Available finishes: Powder spraying
 Tempered Glass: 8mm ultra-white tempered glass
 LED brand: CREE/OSRAM/NICHIA
 Power Supply: External (CC)/Driver chip on board(DC)
 Installation: Surface mounted, Ambient temperature -20°C~+45°C
 Cable: Outdoor used rubber cable, 1.1M length
 Unit Weight: 1.5Kg
 Controls: Constant Current, ON/OFF(Non dim)
 Protection Class: IP67
 Certificate: CE, Rohs, IP, ETL
 (LED)Averaged Lifetime: 50,000hrs

Please refer to pages 283-285 to choose a remote power supply.

IP67 rated
Waterproof performance

50000h
Long lifetime



Parameters

Power(W)	Source flux(lm)	Delivered flux(lm)	Applications	Product Code
12	1800	1400	Surface mounted	D1.1811 12W 18° 18° 18° 18°
18	2700	2000	Surface mounted	D1.1811 18W 18° 18° 18° 18°
24	3700	2700	Surface mounted	D1.1811 24W 18° 18° 18° 18°

Filter Structure	Power	Input
Regular	01 12W 12	Constant current 0
Honeycomb Louvre	08 18W 18 24W 24	220VAC 7

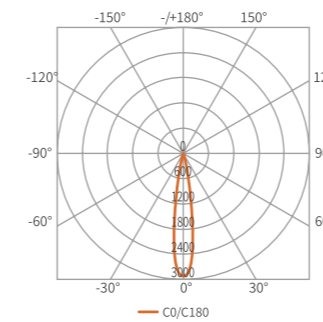
CCT Range	Optics	Controls
3000K	3 15°	2 Constant current 0
4000K	5 24°	Q ON/OFF 1
6000K	8 36° 60°	E 6

EU1811-1A-P2

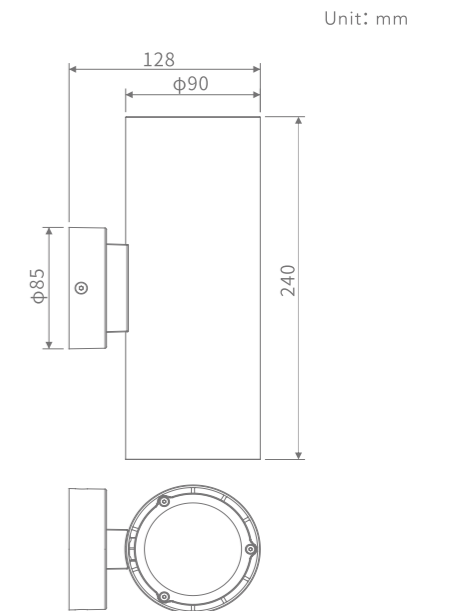
Surface Mounted Wall Light



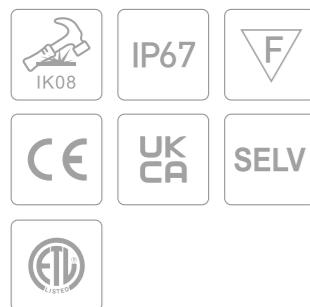
EU1811 24W 4000K 24°



H(m)	Eavg(lx)	Emax(lx)	D(cm)
1	1652	2412	102.34
2	413	602.9	204.69
3	183.6	268	307.3
4	103.3	150.7	409.37
5	66.08	96.47	511.72



Unit: mm

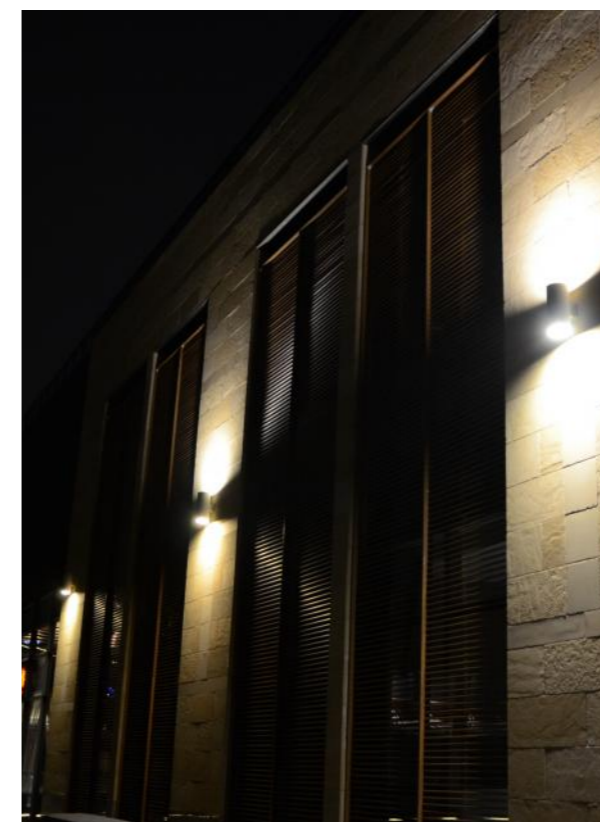


Frame+body Material: Aluminium
 Available finishes: Powder spraying
 Tempered Glass: 8mm ultra-white tempered glass
 LED brand: CREE/OSRAM/NICHIA
 Power Supply: External (CC)/Driver chip on board(DC)
 Installation: Surface mounted, Ambient temperature -20°C~+45°C
 Cable: Outdoor used rubber cable, 1.1M length
 Unit Weight: 2Kg
 Controls: Constant Current, ON/OFF(Non dim)
 Protection Class: IP67
 Certificate: CE, Rohs, IP, ETL
 (LED)Averaged Lifetime: 50,000hrs

Please refer to pages 283-285 to choose a remote power supply.

IP67 rated
Waterproof performance

50000h
Long lifetime



Parameters

Power(W)	Source flux(lm)	Delivered flux(lm)	Applications	Product Code
24	3400	2600	Surface mounted	D1.1811 24 24 24 24 24
36	5200	3800	Surface mounted	D1.1811 36 36 36 36 36
48	6900	5200	Surface mounted	D1.1811 48 48 48 48 48

Filter Structure	Icon	Power	Icon	Input	Icon
Regular	01	24W	24	Constant current	0
Honeycomb Louvre	08	36W	36	220VAC	7
Two Sides	39	48W	48		

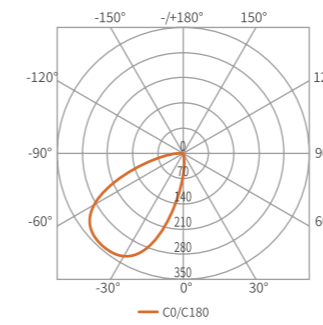
CCT Range	Icon	Optics	Icon	Controls	Icon
3000K	3	15°	2	Constant current	0
4000K	5	24°	Q	ON/OFF	1
6000K	8	36°	E		
		60°	6		

EU1808B

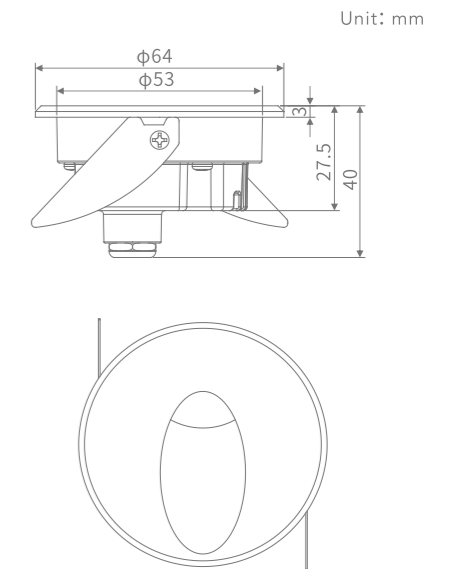
Recessed Wall Light



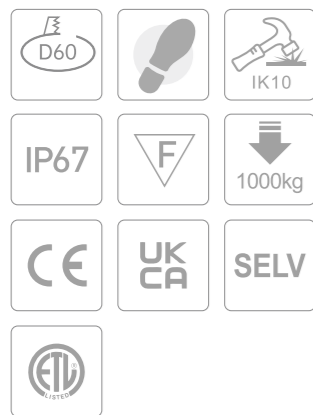
EU1808 1W 4000K 60°



H(m)	Eavg(lx)	Emax(lx)	D(cm)
1	9.41	20.37	155.61
2	2.353	5.093	311.22
3	1.046	2.264	466.83
4	0.5882	1.273	622.44
5	0.3764	0.8149	778.05



Drill size : D60mm

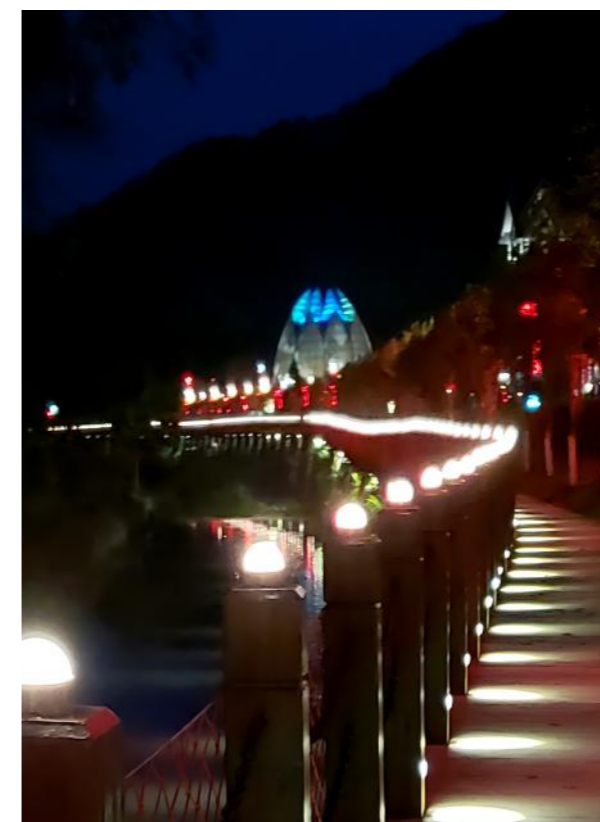


Frame+body Material: Aluminium
 Available finishes: Electroplating, Powder spraying
 Tempered Glass: 2mm ultra-white tempered glass
 LED brand: CREE/OSRAM/NICHIA
 Power Supply: External (CC)/Driver chip on board(DC)
 Installation: Recessed, Ambient temperature -20°C~+45°C
 Cable: Outdoor used rubber cable, 1.1M length
 Unit Weight: 0.23Kg
 Load Pressure: 1000KG (Static)
 Controls: Constant Current, ON/OFF(Non dim)
 Protection Class: IP67
 Certificate: CE, Rohs, IP, ETL
 (LED)Averaged Lifetime: 50,000hrs

Please refer to pages 283-285 to choose a remote power supply.

IP67 rated
Waterproof performance

50000h
Long lifetime



Parameters

Power(W)	Source flux(lm)	Delivered flux(lm)	Applications	Product Code
1	130	60	Recessed	D1.1808 ±01 ⚡⚡⚡⚡⚡
3	300	150	Recessed	D1.1808 ±03 ⚡⚡⚡⚡⚡

Filter Structure	☀	Power	①	Input	⚡
Regular	01	1W 3W	01 03	Constant current DC12V DC24V	0 1 2

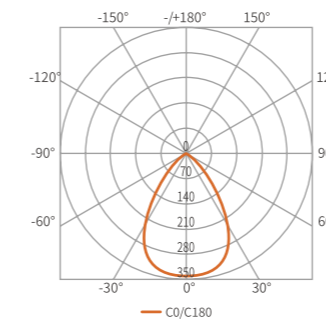
CCT Range	⊞	Optics	▾	Controls	⊞
3000K 4000K 6000K	3 5 8	60°	6	Constant current ON/OFF	0 1

EU1820

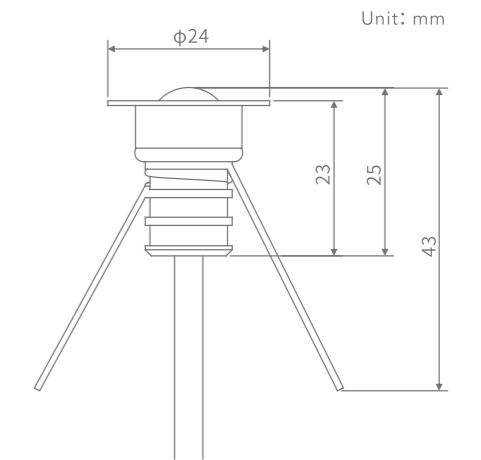
Recessed Wall Light



EU1820 1W 4000K 70°



H(m)	Eavg(lx)	Emax(lx)	D(cm)
1	31.71	48.571	109.43
2	7.927	5.093	218.85
3	3.523	12.141	328.28
4	1.982	5.396	437.7
5	1.268	3.035	547.13



Frame+body Material: Aluminium
 Available finishes: Anodized
 Tempered Glass: Frosted
 LED brand: CREE/OSRAM/NICHIA
 Power Supply: External (CC)/Driver chip on board(DC)
 Installation: Recessed, Ambient temperature -20°C~+45°C
 Cable: Outdoor used rubber cable, 1.1M length
 Unit Weight: 0.03Kg
 Controls: Constant Current, ON/OFF(Non dim),PWM
 Protection Class: IP65
 Certificate: CE, Rohs, IP, ETL
 (LED)Averaged Lifetime: 50,000hrs

Please refer to pages 283-285 to choose a remote power supply.

IP65 rated
Waterproof performance

50000h
Long lifetime



Parameters

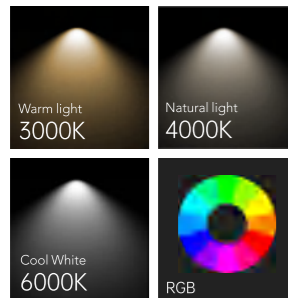
Power(W)	Source flux(lm)	Delivered flux(lm)	Applications	Product Code
0.5	65	35	Recessed	D1.1820
1	130	60	Recessed	D1.1820

Filter Structure		Power		Input	
Regular	01	0.5W 1W	X5 01	Constant current DC24V	0 2

CCT Range		Optics		Controls	
3000K 4000K 6000K	3 5 8	Special angle Z		Constant current ON/OFF PWM	0 1 6

ML101

Recessed Wall Light



Frame+body Material: SUS316
 Available finishes: Brushed, Polished, Passivated
 LED brand: CREE/OSRAM/NICHIA
 Power Supply: External (CC)/Driver chip on board(DC)
 Installation: Recessed, Ambient temperature -20°C~+45°C
 Cable: Outdoor used rubber cable, 1.1M length
 Unit Weight: 0.3Kg
 Load Pressure: 1000KG (Static)
 Controls: Constant Current, ON/OFF(Non dim),PWM
 Protection Class: IP68
 Certificate: CE, Rohs, IP, ETL
 (LED)Averaged Lifetime: 50,000hrs

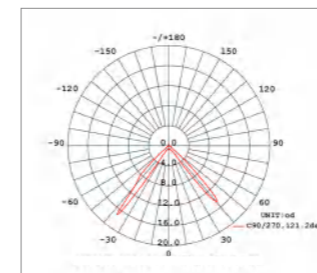
Note:The IP68 rated lamp is applicable for underwater and in-ground usage.

Please refer to pages 283-285 to choose a remote power supply.

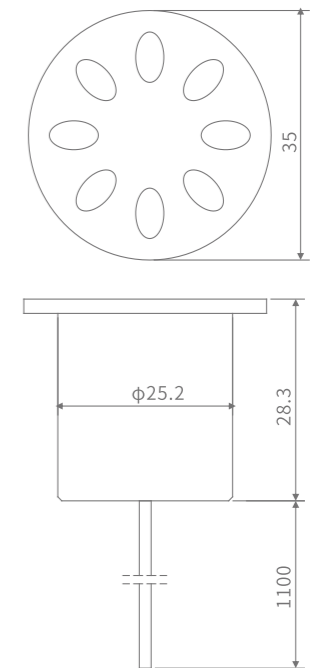
IP68 rated Waterproof performance SUS316 Entirely Stainless steel 50000h Long lifetime

ML101 1W 3000K 120°

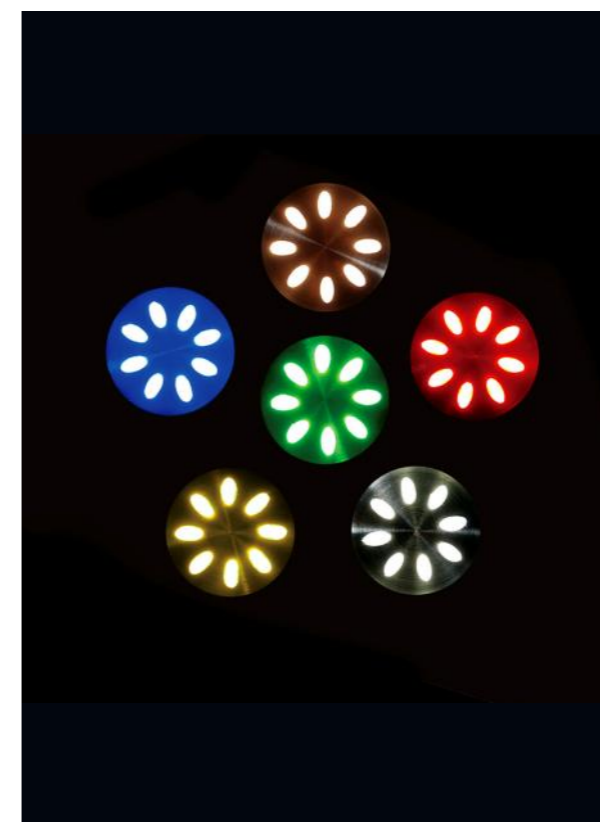
Unit: mm



H(m)	Eavg(lx)	Emax(lx)	D(cm)
1	0.6721	8.897	351.48
2	0.1680	2.224	702.97
3	0.0747	0.9886	1054.45
4	0.0420	0.5561	1405.94
5	0.0269	0.3559	1757.42



Drill size: D26mm



Parameters

Power(W)	Source flux(lm)	Delivered flux(lm)	Applications	Product Code
1	130	110	Recessed	D2.0101 ±01 ⚡⚡⚡⚡⚡
2	260	220	Recessed	D2.0101 ±02 ⚡⚡⚡⚡⚡

Filter Structure	☀️	Power	①	Input	⚡
Regular	01	1W	01	Constant current	0
		2W	02	DC12V	1
				DC24V	2

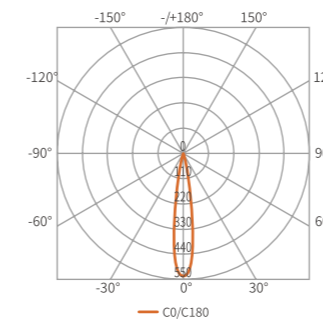
CCT Range	⊗	Optics	📐	Controls	⊕
3000K	3	120°	7	Constant current	0
4000K	5			ON/OFF	1
6000K	8			PWM	6
RGB	D				

ML1021 ML1022 ML1022-30

Surface Mounted Wall Light

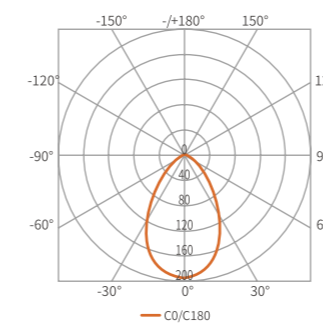


ML102 1W 4000K 20°

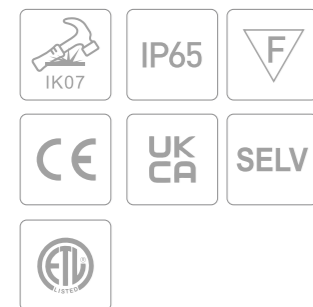
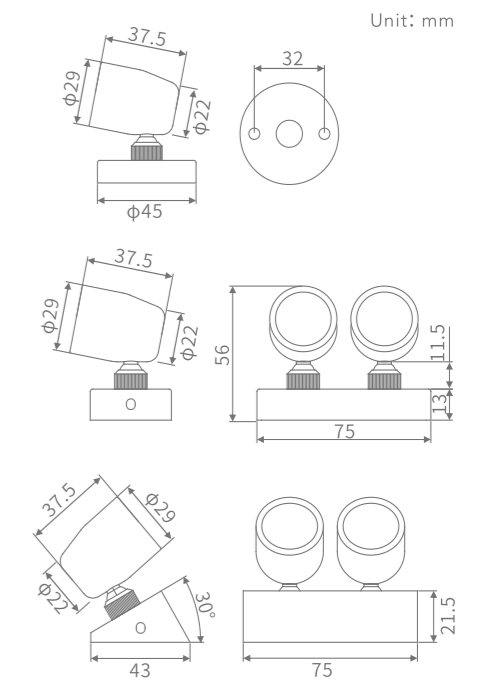


H(m)	Eavg(lx)	Emax(lx)	D(cm)
1	367.1	544.4	33.47
2	91.77	136.1	66.95
3	40.79	60.48	100.42
4	22.94	34.02	133.89
5	14.68	21.77	167.36

ML102 1W 4000K 60°



H(m)	Eavg(lx)	Emax(lx)	D(cm)
1	97.53	163.2	83.04
2	10.84	18.14	249.13
3	3.901	6.53	415.22
4	1990	3.332	581.3
5	1.204	2.015	747.39



Frame+body Material: SUS316
 Available finishes: Brushed, Polished, Passivated
 Tempered Glass: 3mm ultra-white tempered glass
 LED brand: CREE/OSRAM/NICHIA
 Power Supply: External (CC)
 Installation: Surface mounted, Ambient temperature -20°C~+45°C
 Cable: Outdoor used rubber cable, 1.1M length
 Unit Weight: 0.2Kg/0.37Kg
 Controls: Constant Current
 Protection Class: IP65
 Certificate: CE, Rohs, IP, ETL
 (LED)Averaged Lifetime: 50,000hrs

Please refer to pages 283-285 to choose a remote power supply.

IP65 rated Waterproof performance	SUS316 Entirely Stainless steel	50000h Long lifetime
---	---------------------------------------	-------------------------



Parameters

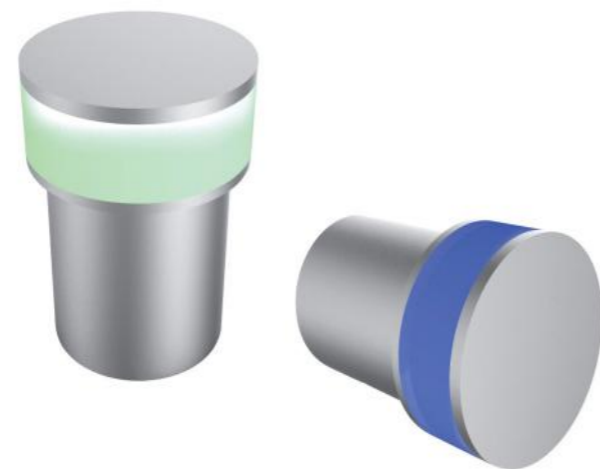
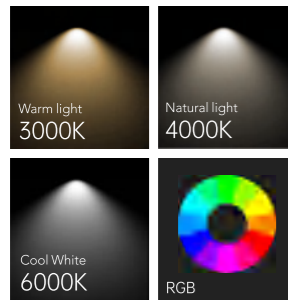
Power(W)	Source flux(lm)	Delivered flux(lm)	Applications	Product Code
1	130	110	Surface mounted	D2.1021 ±01
2	260	220	Surface mounted	D2.1022 ±02

Filter Structure	Power	Input
Regular	01 1W 2W	01 02

CCT Range	Optics	Controls
3000K 4000K 6000K	3 20° 4 30° 5 45° 6 60°	Constant current 0

ML103

Recessed Wall Light

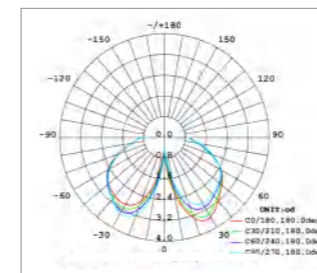


Frame+body Material: Aluminium
 Available finishes: Anodized
 LED brand: CREE/OSRAM/NICHIA
 Power Supply: External (CC)/Driver chip on board(DC)
 Installation: Surface mounted, Ambient temperature -20°C~+45°C
 Cable: Outdoor used rubber cable, 1.1M length
 Unit Weight: 0.05Kg
 Load Pressure: 500KG (Static)
 Controls: Constant Current, ON/OFF(Non dim),PWM
 Protection Class: IP65
 Certificate: CE, Rohs, IP, ETL
 (LED)Averaged Lifetime: 50,000hrs

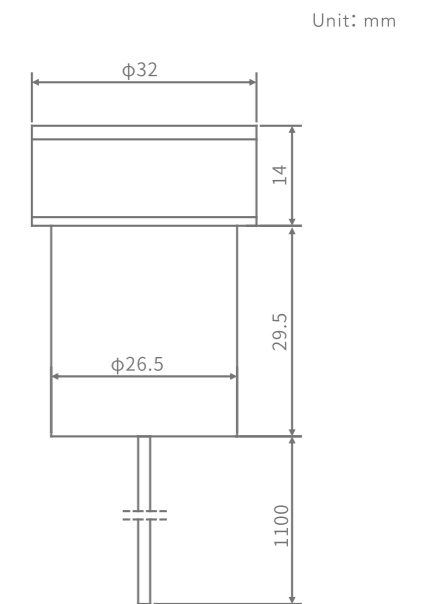
Please refer to pages 283-285 to choose a remote power supply.

IP65 rated Waterproof performance	50000h Long lifetime	500Kg Static Pressure Loading
---	-------------------------	-------------------------------------

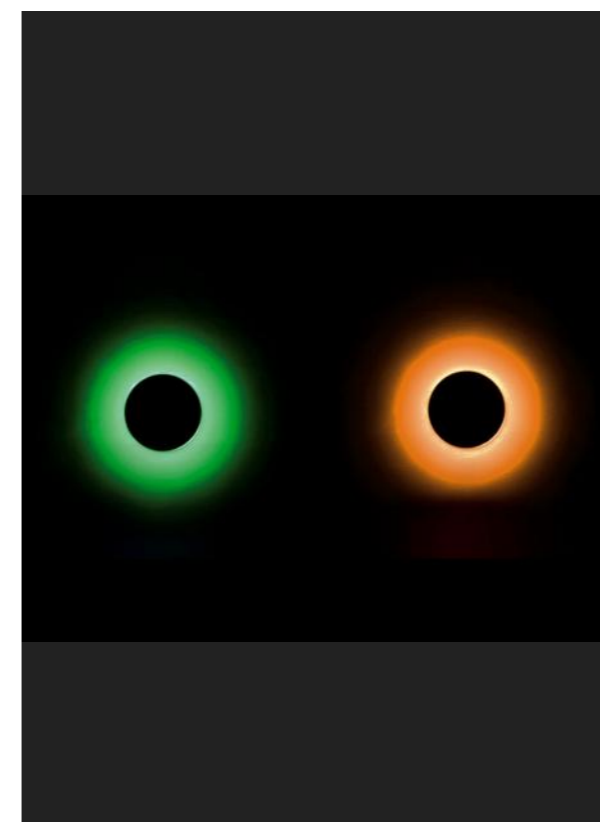
ML103 1W 3000K 180°



H(m)	Eavg(lx)	Emax(lx)	D(cm)
1	1.695	2.823	200.00
2	0.4236	0.7058	400.00
3	0.1883	0.3137	600.00
4	0.1059	0.1764	800.00
5	0.0678	0.1129	1000.00



Drill size: D27mm



Parameters

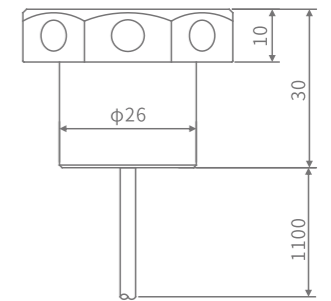
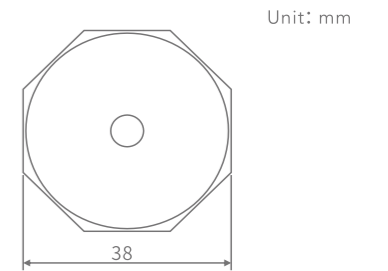
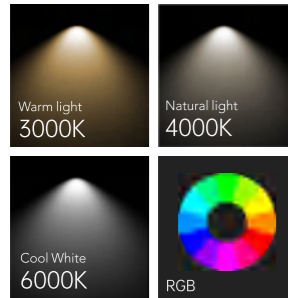
Power(W)	Source flux(lm)	Delivered flux(lm)	Applications	Product Code
1	130	15	Surface mounted	D1.0103 ±01
2	180	25	Surface mounted	D1.0103 ±02

Filter Structure	☀	Power	①	Input	⚡
Regular	01	1W	01	Constant current	0
		2W	02	DC12V	1
				DC24V	2

CCT Range	🌈	Optics	📐	Controls	⊙
3000K	3	Special angle	Z	Constant current	0
4000K	5			ON/OFF	1
6000K	8			PWM	6
RGB	D				

ML104

Recessed Wall Light



Drill size: D27mm

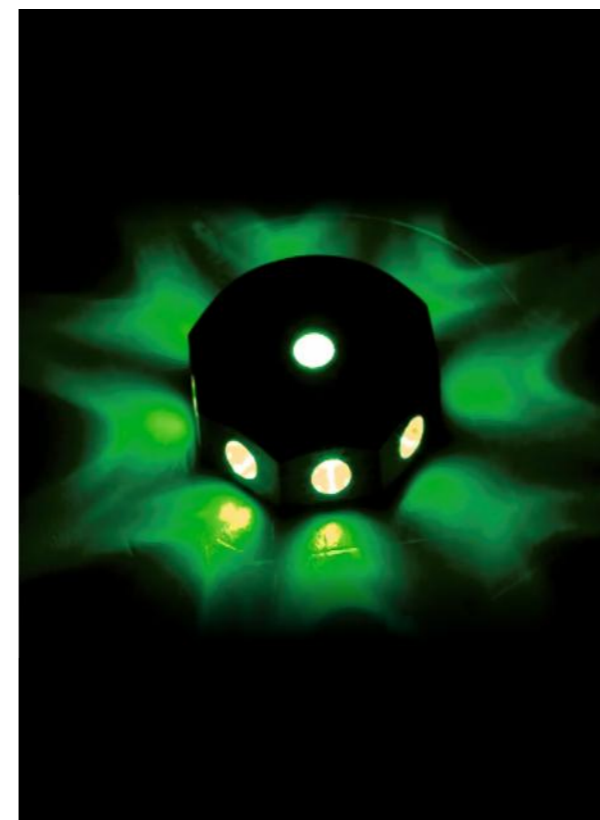


Frame+body Material: SUS316
 Available finishes: Brushed, Polished, Passivated
 LED brand: CREE/OSRAM/NICHIA
 Power Supply: External (CC)/Driver chip on board(DC)
 Installation: Recessed, Ambient temperature -20°C~+45°C
 Cable: Outdoor used rubber cable, 1.1M length
 Unit Weight: 0.1Kg
 Load Pressure: 2000KG (Static)
 Controls: Constant Current, ON/OFF(Non dim),PWM
 Protection Class: IP68
 Certificate: CE, Rohs, IP, ETL
 (LED)Averaged Lifetime: 50,000hrs

Note:The IP68 rated lamp is applicable for underwater and in-ground usage.

Please refer to pages 283-285 to choose a remote power supply.

IP68 rated Waterproof performance	SUS316 Entirely Stainless steel	50000h Long lifetime	2000Kg Static Pressure Loading
---	---------------------------------------	-------------------------	--------------------------------------



Parameters

Power(W)	Source flux(lm)	Delivered flux(lm)	Applications	Product Code
1	130	17	Recessed	D2.0104 ±01 ⚡⚡⚡⚡⚡
2	180	24	Recessed	D2.0104 ±02 ⚡⚡⚡⚡⚡

Filter Structure	☀️	Power	Ⓜ️	Input	⚡
Regular	01	1W	01	Constant current	0
		2W	02	DC12V	1
				DC24V	2

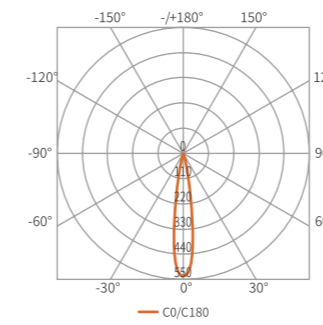
CCT Range	⚙️	Optics	📐	Controls	Ⓜ️
3000K	3	Special angle	Z	Constant current	0
4000K	5			ON/OFF	1
6000K	8			PWM	6
RGB	D				

ML110 ML220

Surface Mounted
Wall Light

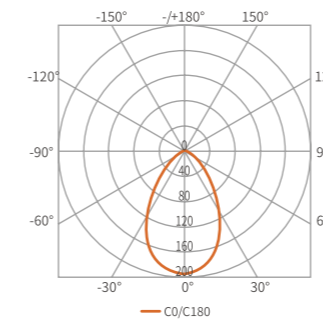


ML110 1W 4000K 20°



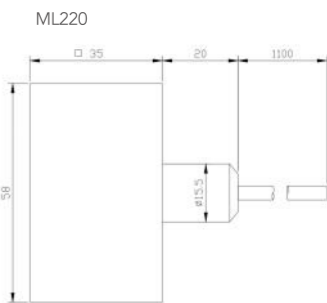
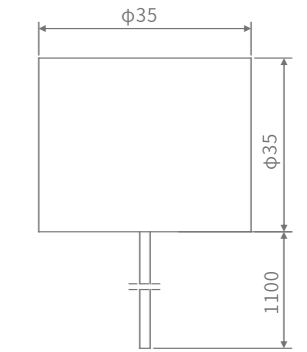
H(m)	Eavg(lx)	Emax(lx)	D(cm)
1	367.1	544.4	33.47
2	91.77	136.1	66.95
3	40.79	60.48	100.42
4	22.94	34.02	133.89
5	14.68	21.77	167.36

ML110 1W 4000K 60°

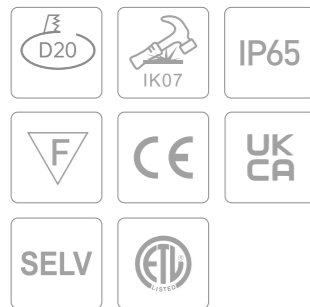


H(m)	Eavg(lx)	Emax(lx)	D(cm)
1	97.53	163.21	83.04
2	10.84	18.14	249.13
3	3.901	6.53	415.22
4	1.99	3.332	581.3
5	1.204	2.015	747.39

ML110 Unit: mm



Drill size: D20mm



Frame+body Material: Aluminium
 Available finishes: Anodized
 Tempered Glass: 4mm ultra-white tempered glass
 LED brand: CREE/OSRAM/NICHIA
 Power Supply: External (CC)
 Installation: Surface mounted, Ambient temperature -20°C~+45°C
 Cable: Outdoor used rubber cable, 1.1M length
 Unit Weight: 0.15Kg
 Controls: Constant Current
 Protection Class: IP65
 Certificate: CE, Rohs, IP, ETL
 (LED)Averaged Lifetime: 50,000hrs

Please refer to pages 283-285 to choose a remote power supply.



IP65 rated
Waterproof performance

50000h
Long lifetime



Parameters

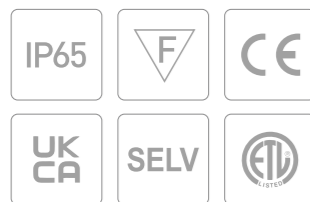
Power(W)	Source flux(lm)	Delivered flux(lm)	Applications	Product Code
1	130	110	Surface mounted	D1.0110 01
2	260	220	Surface mounted	D1.0220 02

Filter Structure	Power	Input
Regular	01 1W 2W	01 02

CCT Range	Optics	Controls
3000K	3 20°	3 Constant current
4000K	5 30°	4
6000K	8 45° 60°	5 6

EU2501

Surface Mounted
Wall Light



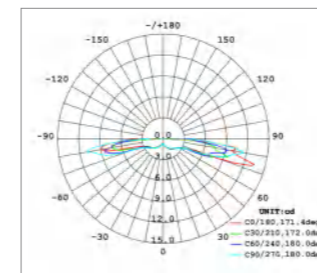
Frame+body Material: Aluminium
 Available finishes: Anodized
 Tempered Glass: PC
 LED brand: CREE/OSRAM/NICHIA
 Power Supply: External (CC)/Driver chip on board(DC)
 Installation: Surface mounted, Ambient temperature -20°C~+45°C
 Cable: Outdoor used rubber cable, 1.1M length
 Unit Weight: 0.1Kg
 Controls: Constant Current, ON/OFF(Non dim), DMX
 Protection Class: IP65
 Certificate: CE, Rohs, IP, ETL
 (LED)Averaged Lifetime: 50,000hrs

Please refer to pages 283-285 to choose a remote power supply.

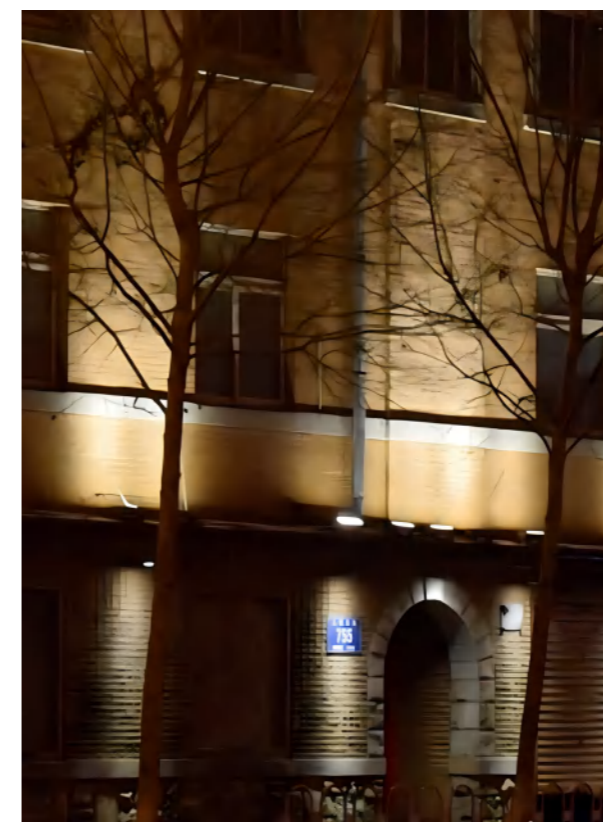
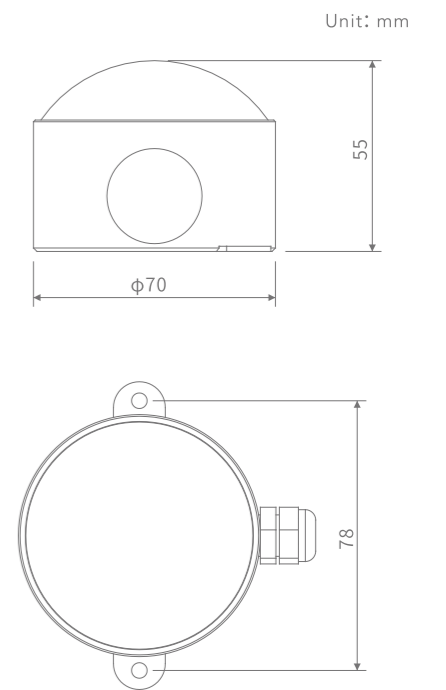
IP65 rated
Waterproof performance

50000h
Long lifetime

EU2501 7W 3000K



H(m)	Eavg(lx)	Emax(lx)	D(cm)
1	1328	2023	225.07
2	331.9	505.7	510.15
3	147.5	224.7	765.22
4	82.98	126.4	1020.29
5	53.11	80.91	1725.36



Parameters

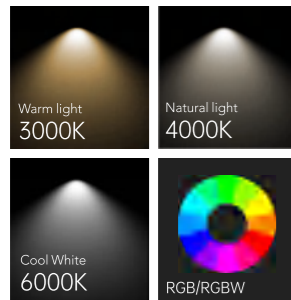
Power(W)	Source flux(lm)	Delivered flux(lm)	Applications	Product Code
7	900	750	Surface mounted	D1.2501 07 7W 3000K

Filter Structure	Power	Input
Regular	01	7W
		07
		Constant current
		DC12V
		DC24V

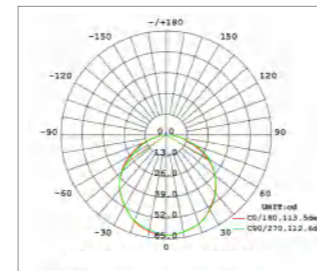
CCT Range	Optics	Controls
3000K	3	Special angle Z
4000K	5	Constant current
6000K	8	ON/OFF
		DMX512

EU1837

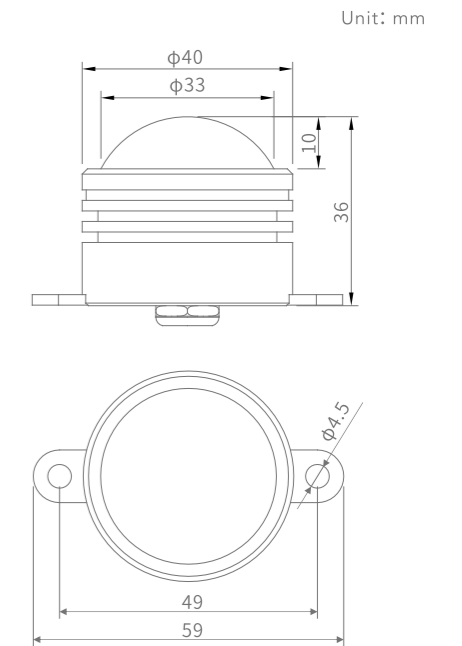
Surface Mounted
Wall Light



EU1837 2W 3000K 120°



H(m)	Eavg(lx)	Emax(lx)	D(cm)
1	17.83	62.72	299.71
2	4.457	15.68	599.43
3	1.981	6.969	899.14
4	1.114	3.920	1198.86
5	0.7131	2.509	1498.57



Frame+body Material: Aluminium
 Available finishes: Anodized
 Tempered Glass: PC
 LED brand: CREE/OSRAM/NICHIA
 Power Supply: External (CC)/Driver chip on board(DC)
 Installation: Surface mounted, Ambient temperature -20°C~+45°C
 Cable: Outdoor used rubber cable, 1.1M length
 Unit Weight: 0.1Kg
 Controls: ON/OFF(Non dim), DMX
 Protection Class: IP65
 Certificate: CE, Rohs, IP, ETL
 (LED)Averaged Lifetime: 50,000hrs

Please refer to pages 283-285 to choose a remote power supply.

IP65 rated
Waterproof performance

50000h
Long lifetime



Parameters

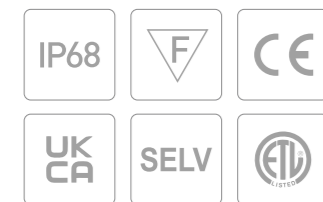
Power(W)	Source flux(lm)	Delivered flux(lm)	Applications	Product Code
1	140	95	Surface mounted	D1.1837 01
2	240	180	Surface mounted	D1.1837 02

Filter Structure	☀	Power	①	Input	⚡
Regular	01	1W	01	Constant current	0
		2W	02	DC12V	1
				DC24V	2

CCT Range	🌈	Optics	📐	Controls	⊙
3000K	3	120°	7	Constant current	0
4000K	5			ON/OFF	1
6000K	8			DMX512	2
RGB	D				
RGBW	H				

GL112SJ

Recessed Wall Light



Frame+body Material: SUS316
 Tempered Glass: Crystal glass+3mm ultra-white tempered glass
 LED brand: CREE/OSRAM/NICHIA
 Power Supply: External (CC)/Driver chip on board(DC)
 Installation: Recessed, Ambient temperature -20°C~+45°C
 Cable: Outdoor used rubber cable, 1.1M length
 Unit Weight: 0.1Kg
 Controls: ON/OFF(Non dim), DMX
 Protection Class: IP68
 Certificate: CE, Rohs, IP, ETL
 (LED)Averaged Lifetime: 50,000hrs

Note:The IP68 rated lamp is applicable for underwater and in-ground usage.

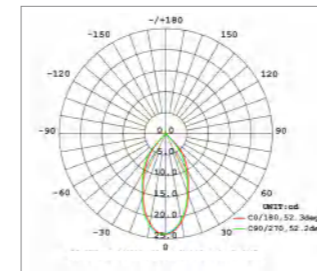
Please refer to pages 283-285 to choose a remote power supply.

IP68 rated
Waterproof
performance

SUS316
Entirely
Stainless steel

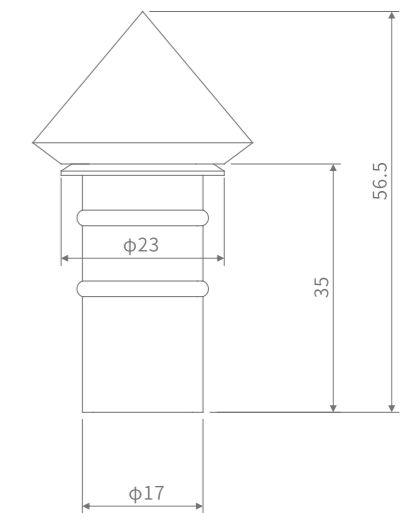
50000h
Long lifetime

GL112SJ 1W 3000K 60°



H(m)	Eavg(lx)	Emax(lx)	D(cm)
1	14.04	23.88	98.06
2	3.510	5.970	196.13
3	1.560	2.653	294.19
4	0.8774	1.492	392.25
5	0.5616	0.9551	490.32

Unit: mm



Parameters

Power(W)	Source flux(lm)	Delivered flux(lm)	Applications	Product Code
0.5	65	22	Recessed	D2.0112 X5 ⚡ ⚡ ⚡ ⚡ ⚡
1	120	40	Recessed	D2.0112 X1 ⚡ ⚡ ⚡ ⚡ ⚡

Filter Structure	⚡	Power	①	Input	⚡
Regular	01	0.5W	X5	Constant current	0
Opla plate	06	1W	01	DC12V	1
				DC24V	2

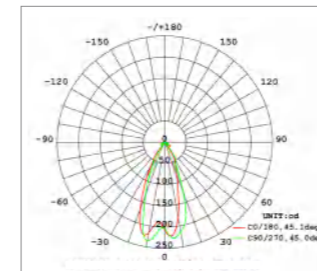
CCT Range	⚡	Optics	⚡	Controls	⚡
3000K	3	60°	6	Constant current	0
4000K	5			ON/OFF	1
6000K	8			DMX512	2

EU1831

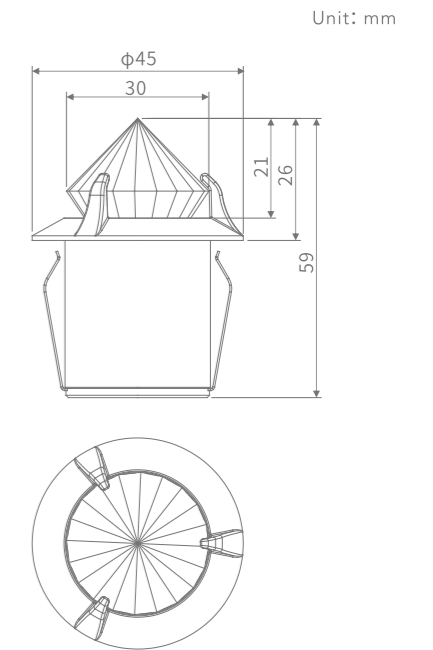
Recessed Wall Light



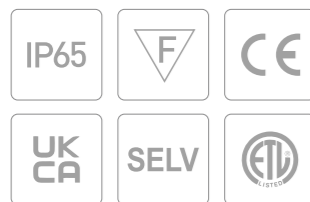
EU1831 2W 3000K 60°



H(m)	Eavg(lx)	Emax(lx)	D(cm)
1	145.2	226.1	82.47
2	36.29	56.53	164.94
3	16.13	25.13	247.41
4	9.073	14.13	329.88
5	5.807	9.045	412.35



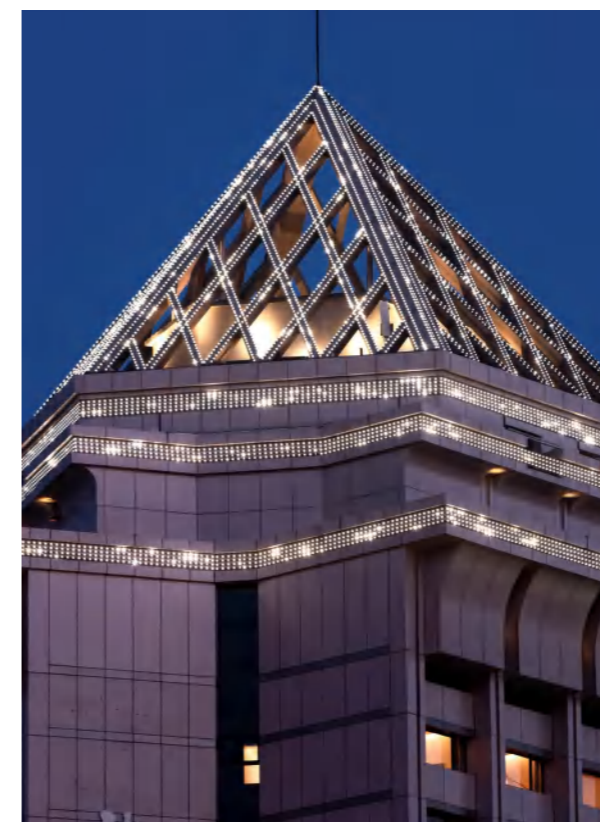
Unit: mm



Frame+body Material: SUS316+Aluminium
 Available finishes: Brushed, Polished, Passivated
 Tempered Glass: Crystal glass+3mm ultra-white tempered glass
 LED brand: CREE/OSRAM/NICHIA
 Power Supply: External (CC)/Driver chip on board(DC)
 Installation: Recessed, Ambient temperature -20°C~+45°C
 Cable: Outdoor used rubber cable, 1.1M length
 Unit Weight: 0.15Kg
 Controls: ON/OFF(Non dim), 0/1-10V, DMX, PWM
 Protection Class: IP65
 Certificate: CE, Rohs, IP, ETL
 (LED)Averaged Lifetime: 50,000hrs

Please refer to pages 283-285 to choose a remote power supply.

IP65 rated Waterproof performance SUS316 Entirely Stainless steel 50000h Long lifetime



Parameters

Power(W)	Source flux(lm)	Delivered flux(lm)	Applications	Product Code
1	130	110	Recessed	D1.1831 01
2	180	150	Recessed	D1.1831 02

Filter Structure	Power	Input
Regular	01 1W 2W	01 Constant current DC12V DC24V

CCT Range	Optics	Controls
3000K 4000K 6000K	3 5 8	60° 6
		Constant current ON/OFF DMX512 0/1-10V PWM
		0 1 2 3 6






07

Spike Light



Product Guidance



IMAGE	PRODUCT CODE	POWER	OPTICS (°)	CCT (K)	IP	PAGE
	SL131	1	10/45	Single	67	245/246 ▶
	SL133	5	20/60	Single	67	247/248 ▶
	SL100	16	24/40/60	Single/ full colour	67	249/250 ▶
	EU3039-1-SP	27	15/24/36/60	Single	67	251/252 ▶
	EU5011	10	24/60	Single	67	253/254 ▶

07

EURBORN

Spike Light

Eurborn Spike Light, with a variety of design styles and solid materials, can be well applied to horticulture, courtyard, walking path and landscape and other application scenarios, we for the relatively complex use of the environment, the use of waterproof, dustproof, anti-collision, temperature and UV resistance and other careful design, the selection of finest components to ensure the stability and safety of the lamp operation.

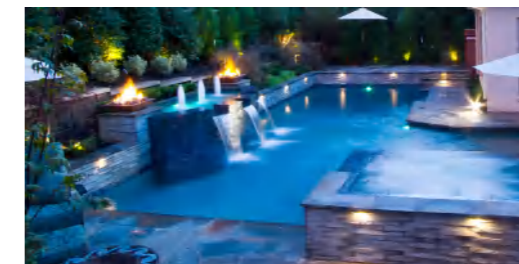
Eurborn Spike Light are easy to install, require no complex electrical wiring, are used in a wide range of scenarios, and take into account the need for high density lighting over a long period of time. We also optimize the energy saving system, and the high quality LDE light source can reduce the operating and maintenance costs. With outstanding quality and fashionable designs, they are exported to 135 countries and regions, and have been well received by users



Color temperature range

1800K--6500K

- ✓ High dustproof and waterproof
- ✓ >50000hrs lifetime
- ✓ -20°C~+45°C Ambient temperature
- ✓ Surface oxidation
- ✓ ≥3M cable
- ✓ 10mm wear-resistant tempered glass
- ✓ High quality LED
- ✓ RGBW



IP67 rated
Waterproof performance

Multiple security
protection

-20°C~+45°C
Ambient temperature

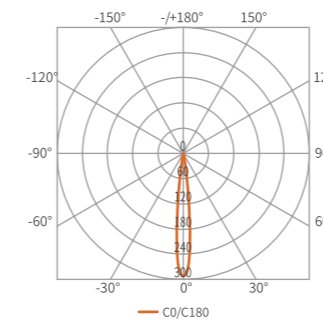


SL131

Spike Light

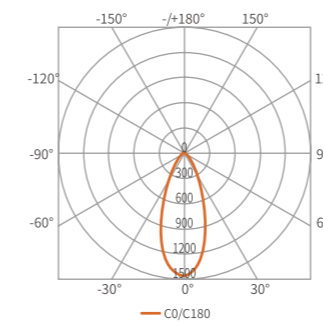


SL131 1W 4000K 10°



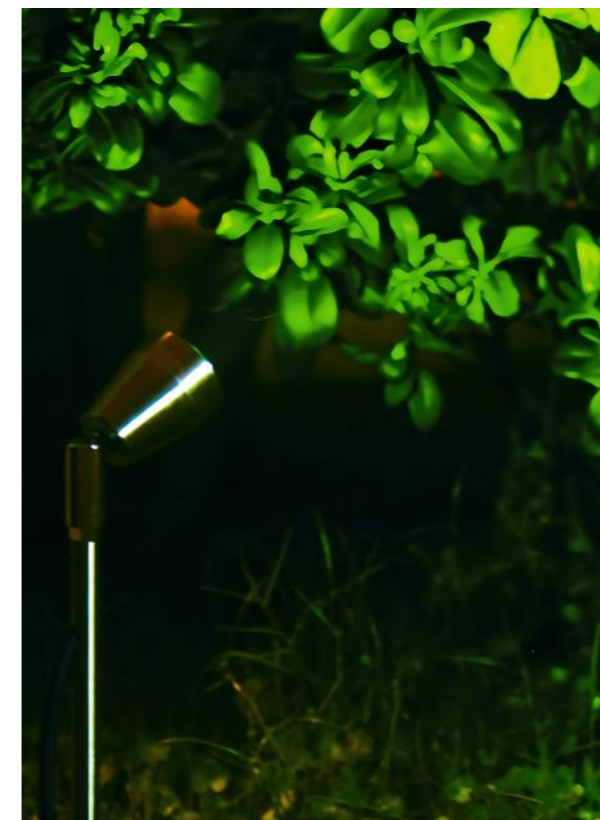
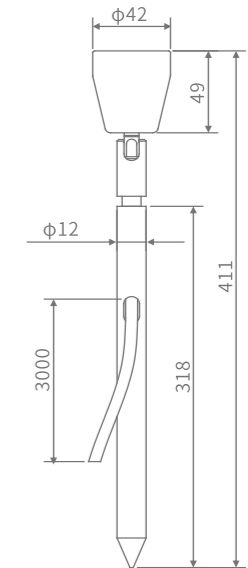
H(m)	Eavg(lx)	Emax(lx)	D(cm)
1	708.9	1342	18.41
2	177.2	335.4	36.83
3	78.77	149.1	55.24
4	44.31	83.86	73.65
5	28.36	53.67	92.07

SL131 1W 4000K 45°



H(m)	Eavg(lx)	Emax(lx)	D(cm)
1	177.1	273.6	52.22
2	44.29	68.41	104.43
3	19.68	30.4	156.65
4	11.07	17.1	208.87
5	7.086	10.951	261.8

Unit: mm



Parameters

Power(W)	Source flux(lm)	Delivered flux(lm)	Applications	Product Code
1	130	110	Surface mounted	P2.0131 ±01 ⚡⚡⚡⚡⚡
2	180	150	Surface mounted	P2.0131 ±02 ⚡⚡⚡⚡⚡

Filter Structure	☀️	Power	①	Input	⚡
Regular	01	1W	01	Constant current	0
		2W	02	DC12V	1
				DC24V	2

CCT Range	🌈	Optics	📐	Controls	⊙
3000K	3	10°	1	Constant current	0
4000K	5	45°	5	ON/OFF	1
6000K	8				

Frame+body Material: SUS316
 Available finishes: Brushed, Polished, Passivated
 Tempered Glass: 4mm ultra-white tempered glass
 LED brand: CREE/OSRAM/NICHIA
 Power Supply: External (CC)/Driver chip on board(DC)
 Installation: Surface mounted, Ambient temperature -20°C~+45°C
 Cable: Outdoor used rubber cable, 3M length
 Unit Weight: 0.65Kg
 Controls: Constant Current, ON/OFF(Non dim)
 Protection Class: IP67
 Certificate: CE, Rohs, IP, ETL
 (LED)Averaged Lifetime: 50,000hrs

Please refer to pages 283-285 to choose a remote power supply.

IP67 rated Waterproof performance	SUS316 Entirely Stainless steel	50000h Long lifetime
---	---------------------------------------	-------------------------

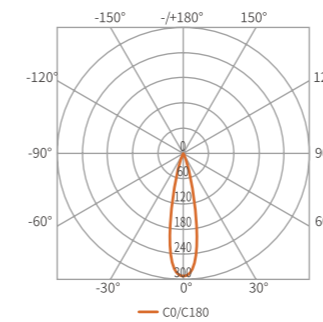


SL133

Spike Light

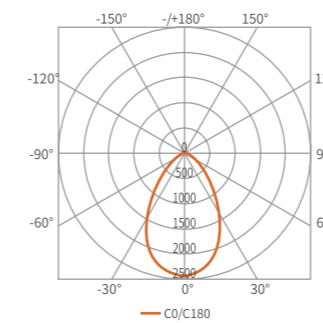


SL133 3W 4000K 20°



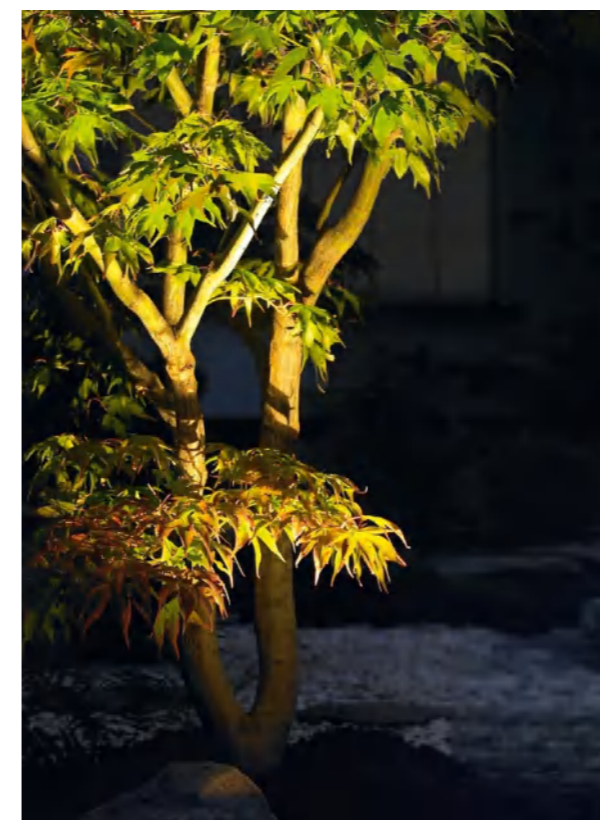
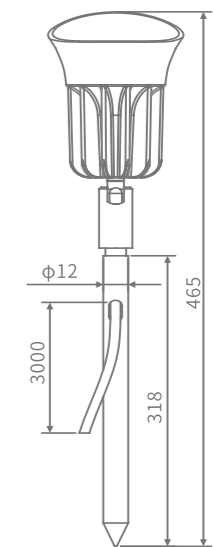
H(m)	Eavg(lx)	Emax(lx)	D(cm)
1	1463	2269	25.22
2	365.7	567.2	50.43
3	162.5	252.1	75.65
4	91.43	141.8	100.86
5	58.51	90.76	126.08

SL133 3W 4000K 60°



H(m)	Eavg(lx)	Emax(lx)	D(cm)
1	112.3	174.2	100.87
2	41.73	64.75	165.47
3	18.55	28.78	248.21
4	10.43	16.19	330.94
5	6.677	10.36	413.68

Unit: mm



Parameters

Power(W)	Source flux(lm)	Delivered flux(lm)	Applications	Product Code
3	400	300	Surface mounted	P2.0133 ±03 ⚡ ⚡ ⚡ ⚡
5	530	420	Surface mounted	P2.0133 ±05 ⚡ ⚡ ⚡ ⚡

Filter Structure	☀	Power	①	Input	⚡
Regular	01	3W	03	Constant current	0
		5W	05	DC12V	1
				DC24V	2

CCT Range	⊗	Optics	📐	Controls	⊕
3000K	3	20°	3	Constant current	0
4000K	5	30°	4	ON/OFF	1
6000K	8	45°	5		
		60°	6		

Frame+body Material: SUS316
 Available finishes: Brushed, Polished, Passivated
 Tempered Glass: 5mm ultra-white tempered glass
 LED brand: CREE/OSRAM/NICHIA
 Power Supply: External (CC)/Driver chip on board(DC)
 Installation: Surface mounted, Ambient temperature -20°C~+45°C
 Cable: Outdoor used rubber cable, 3M length
 Unit Weight: 0.95Kg
 Controls: Constant Current, ON/OFF(Non dim)
 Protection Class: IP67
 Certificate: CE, Rohs, IP, ETL
 (LED)Averaged Lifetime: 50,000hrs

Please refer to pages 283-285 to choose a remote power supply.

IP67 rated Waterproof performance	SUS316 Entirely Stainless steel	50000h Long lifetime
---	---------------------------------------	-------------------------

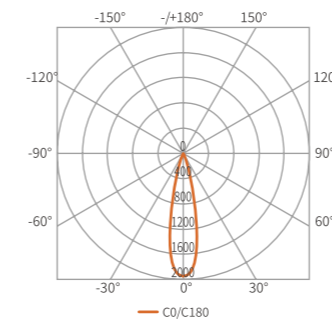


SL100

Spike Light

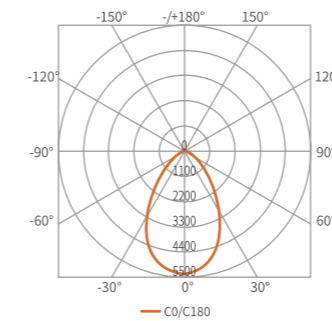


SL100 16W 4000K 24°

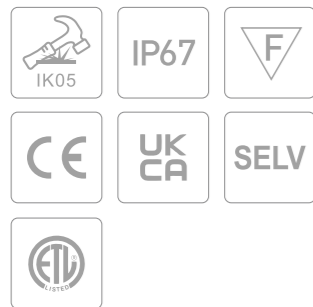
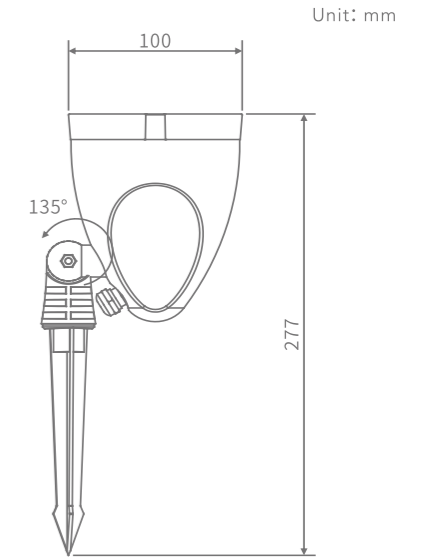


H(m)	Eavg(lx)	Emax(lx)	D(cm)
1	3661	5211	37.47
2	915.2	1303	74.94
3	406.8	579	112.41
4	228.8	325.7	149.88
5	146.4	208.4	187.35

SL100 16W 4000K 60°



H(m)	Eavg(lx)	Emax(lx)	D(cm)
1	1019	1757	101.95
2	254.7	439.31	203.89
3	113.2	195.31	305.84
4	63.68	109.81	407.79
5	4076	70.291	509.74



Frame+body Material: Aluminium
 Available finishes: Powder Spraying
 Tempered Glass: 4mm ultra-white tempered glass
 LED brand: CREE/OSRAM/NICHIA
 Power Supply: External (CC)/Driver chip on board(DC)
 Installation: Surface mounted, Ambient temperature -20°C~+45°C
 Cable: Outdoor used rubber cable, 1.1M length
 Unit Weight: 0.7Kg
 Controls: ON/OFF(Non dim)
 Protection Class: IP67
 Certificate: CE, Rohs, IP, ETL
 (LED)Averaged Lifetime: 50,000hrs

Please refer to pages 283-285 to choose a remote power supply.

IP67 rated
Waterproof performance

50000h
Long lifetime



Parameters

Power(W)	Source flux(lm)	Delivered flux(lm)	Applications	Product Code
16	2000	1600	Surface mounted	P1.0100 16W 4000K 24°

Filter Structure	☀	Power	Ⓜ	Input	⚡
Regular	01	16W	16	Constant current	0
				DC12V	1
				DC24V	2

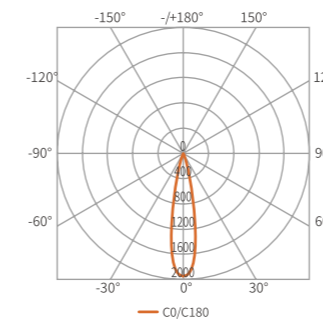
CCT Range	🌈	Optics	📐	Controls	⊙
3000K	3	24°	Q	Constant current	0
4000K	5	40°	C	ON/OFF	1
6000K	8	60°	6		

EU3039-1-SP

Spike Light

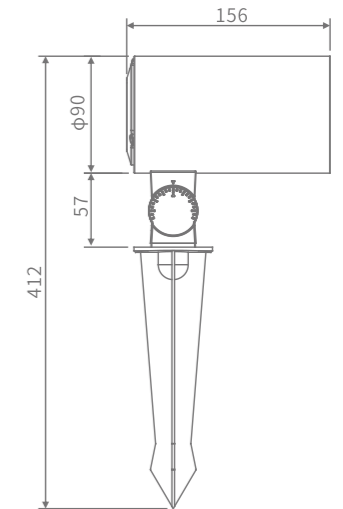


EU3039-1 18W 4000K 24°



H(m)	Eavg(lx)	Emax(lx)	D(cm)
1	1291	1729	76.29
2	322.7	432.2	152.57
3	143.4	192.1	228.83
4	80.67	108.1	305.15
5	51.63	69.15	381.44

Unit: mm

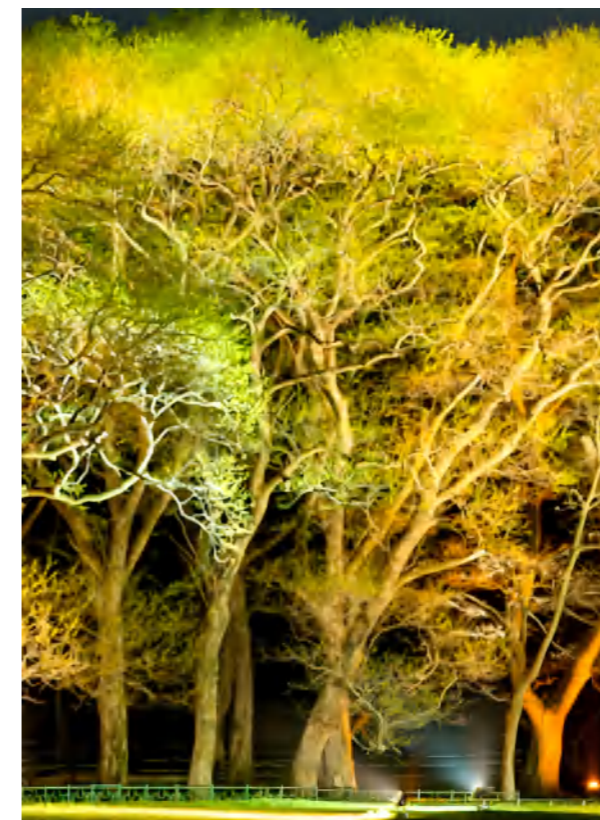


Frame+body Material: Aluminium
Available finishes: Powder Spraying
Tempered Glass: 10mm ultra-white tempered glass
LED brand: CREE/OSRAM/NICHIA
Power Supply: External (CC)/Driver chip on board(DC)
Installation: Surface mounted, Ambient temperature -20°C~ +45°C
Cable: Outdoor used rubber cable, 1.1M length
Unit Weight: 1.6Kg
Controls: Constant Current, ON/OFF(Non dim)
Protection Class: IP67
Certificate: CE, Rohs, IP, ETL
(LED)Averaged Lifetime: 50,000hrs

Please refer to pages 283-285 to choose a remote power supply.

IP67 rated
Waterproof performance

50000h
Long lifetime



Parameters

Power(W)	Source flux(lm)	Delivered flux(lm)	Applications	Product Code
12	1800	1400	Surface mounted	P1.3039 12W
18	2700	2000	Surface mounted	P1.3039 18W
24	3700	2700	Surface mounted	P1.3039 24W
27	4150	3000	Surface mounted	P1.3039 27W

Filter Structure	Power	Input
Regular	01 12W	12 Constant current
Honeycomb Louvre	08 18W, 24W, 27W	18, 24, 27 220VAC

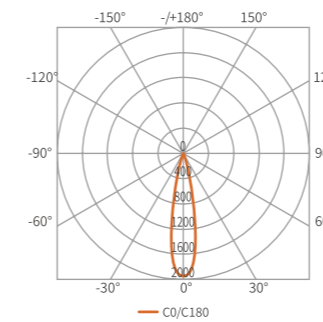
CCT Range	Optics	Controls
3000K	3 15°	2 Constant current
4000K	5 24°	Q ON/OFF
6000K	8 36°, 60°	E 1

EU5011

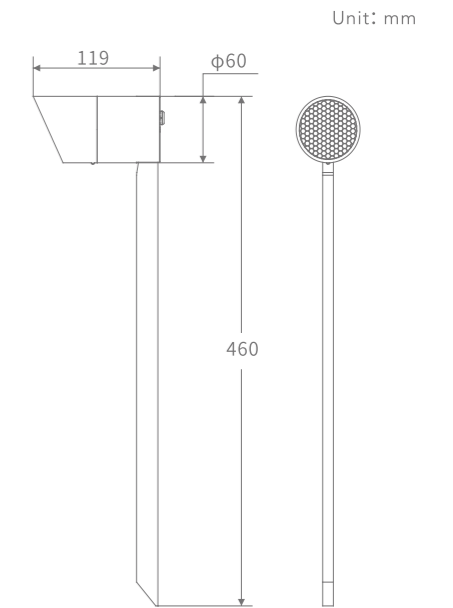
Spike Light



EU5011 10W 4000K 24°



H(m)	Eavg(lx)	Emax(lx)	D(cm)
1	1208	1801	60.32
2	302	450.4	120.64
3	134.2	200.2	180.95
4	75.5	112.6	241.27
5	48.32	72.06	301.59

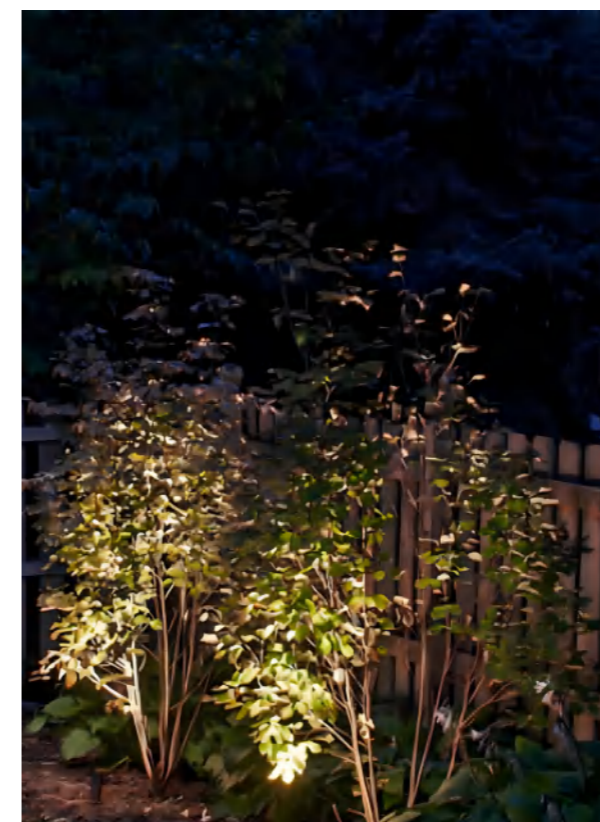


Frame+body Material: Aluminium
Available finishes: Anodized
Tempered Glass: 5mm ultra-white tempered glass
LED brand: CREE/OSRAM/NICHIA
Power Supply: External (CC)/Driver chip on board(DC)
Installation: Surface mounted, Ambient temperature -20°C~+45°C
Cable: Outdoor used rubber cable, 3M length
Unit Weight: 0.5Kg
Controls: Constant Current, ON/OFF(Non dim), 0/1-10V, DMX, PWM
Protection Class: IP67
Certificate: CE, Rohs, IP, ETL
(LED)Averaged Lifetime: 50,000hrs

Please refer to pages 283-285 to choose a remote power supply.

IP67 rated
Waterproof performance

50000h
Long lifetime



Parameters

Power(W)	Source flux(lm)	Delivered flux(lm)	Applications	Product Code
10	1100	850	Surface mounted	P1.5011 ±10 ⚡⚡⚡⚡

Filter Structure	☀️	Power	Ⓜ️	Input	⚡
Regular	01	10W	10	Constant current	0
Opla plate	06			DC12V	1
Honeycomb Louvre	08			DC24V	2

CCT Range	🌈	Optics	📐	Controls	⚙️
3000K	3	15°	2	Constant current	0
4000K	5	24°	Q	ON/OFF	1
6000K	8	36°	E	DMX512	2
		60°	6	0/1-10V	3
		120°	7	PWM	6

08

Other Light



Product Guidance



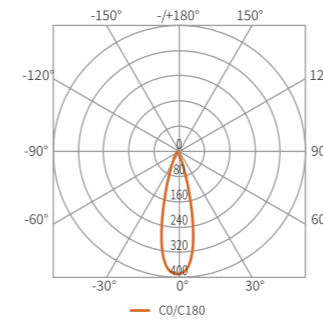
IMAGE	PRODUCT CODE	POWER	OPTICS (°)	CCT (K)	IP	PAGE
	EU1857	1	20/60	Single	67	257/258 ▶
	EU2509	12	S20 / F60	Single/ full colour	65	259/260 ▶
	ML110-L	2	20/60	Single	40	261/262 ▶
	ML102-L	2	20/60	Single	40	263/264 ▶
	LED03	3	S20/F60	Single/ full colour	20	265/266 ▶
	LED09	9	S20/F60	Single/ full colour	20	267/268 ▶

EU1857

Recessed Handrail Light

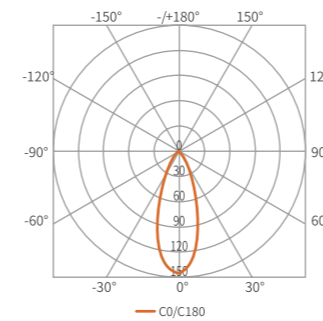


EU1857 1W 4000K 20°



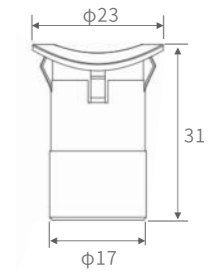
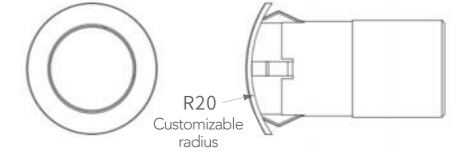
H(m)	Eavg(lx)	Emax(lx)	D(cm)
1	272.7	377	33.74
2	68.18	94.25	67.48
3	30.3	41.89	101.23
4	17.05	23.56	134.97
5	10.91	15.08	168.71

EU1857 1W 4000K 60°



H(m)	Eavg(lx)	Emax(lx)	D(cm)
1	97.24	148.81	68.2
2	24.31	37.2	136.39
3	10.8	16.53	204.59
4	6.078	9.301	272.78
5	3.89	59.53	340.98

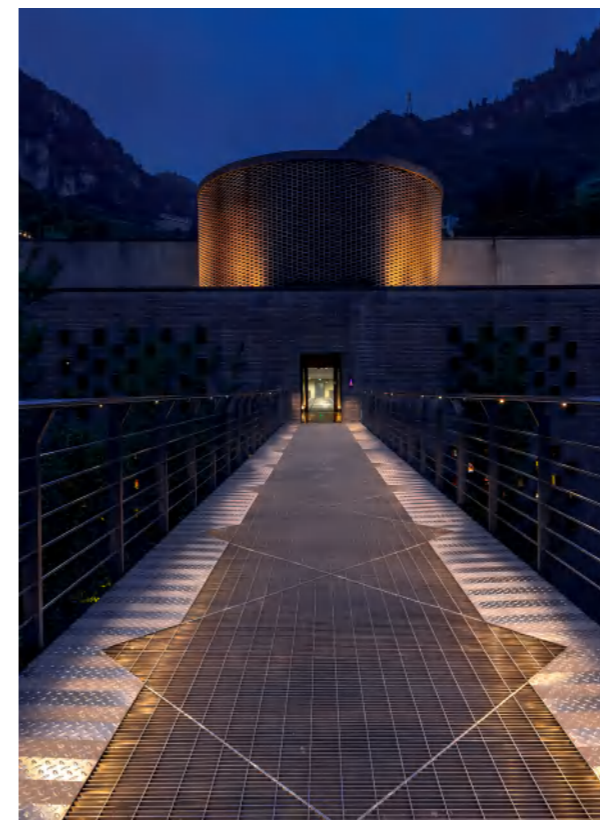
Unit: mm



Frame+body Material: SUS316
 Available finishes: Brushed, Polished, Passivated
 Tempered Glass: 3mm ultra-white tempered glass
 LED brand: CREE/OSRAM/NICHIA
 Power Supply: External (CC)/Driver chip on board(DC)
 Installation: Recessed, Ambient temperature -20°C~+45°C
 Cable: Outdoor used rubber cable, 1.1M length
 Unit Weight: 0.1Kg
 Controls: Constant Current, ON/OFF(Non dim)
 Protection Class: IP67
 Certificate: CE, Rohs, IP, ETL
 (LED)Averaged Lifetime: 50,000hrs

Please refer to pages 283-285 to choose a remote power supply.

IP67 rated Waterproof performance
 SUS316 Entirely Stainless steel
 50000h Long lifetime



Parameters

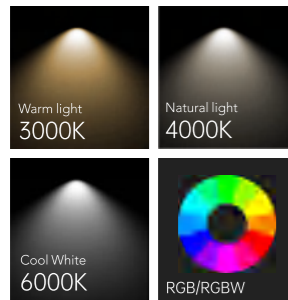
Power(W)	Source flux(lm)	Delivered flux(lm)	Applications	Product Code
1	135	110	Recessed	Q2.1857 ± 01
2	195	150	Recessed	Q2.1857 ± 02

Filter Structure	Power	Input
Regular	01	Constant current
Frosted glass	02	DC12V
Opla plate	06	DC24V

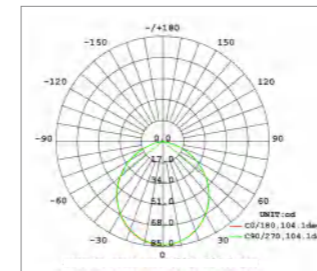
CCT Range	Optics	Controls
3000K	3	Constant current
4000K	5	ON/OFF
6000K	8	
	20°	
	30°	
	45°	
	60°	
	120°	

EU2509

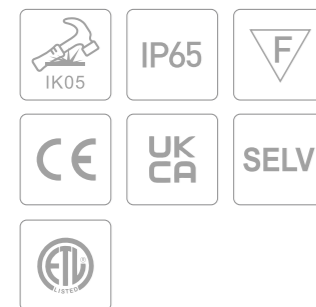
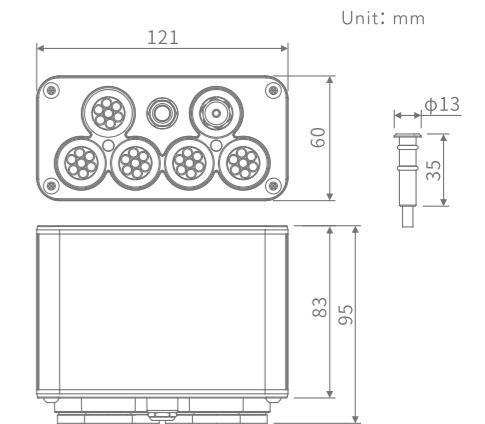
Fiber Optic Light



EU2509 12W 3000K 120°



H(m)	Eavg(lx)	Emax(lx)	D(cm)
1	27.69	83.68	256.18
2	6.921	20.92	512.35
3	3.076	9.298	768.53
4	1.730	5.230	1024.70
5	1.107	3.347	1280.88

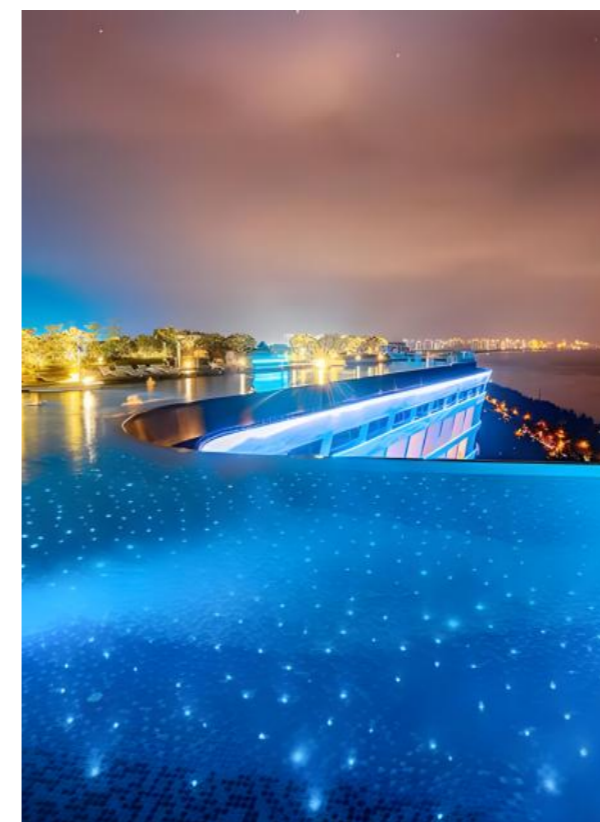


Frame+body Material: Aluminium
Available finishes: Anodized
Tempered Glass: 5mm fiber
LED brand: CREE/OSRAM/NICHIA
Power Supply: External (CC)/Driver chip on board(DC)
Installation: Surface mounted, Ambient temperature -20°C~+45°C
Cable: Outdoor used rubber cable, 1.1M length
Unit Weight: 0.5Kg
Controls: ON/OFF(Non dim), DMX, 0/1-10V, PWM
Protection Class: IP65
Certificate: CE, Rohs, IP, ETL
(LED)Averaged Lifetime: 50,000hrs

Please refer to pages 283-285 to choose a remote power supply.

IP65 rated
Waterproof performance

50000h
Long lifetime



Parameters

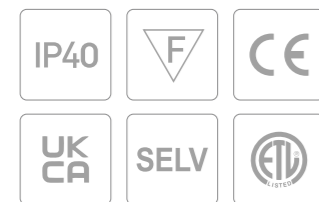
Power(W)	Source flux(lm)	Delivered flux(lm)	Applications	Product Code
12	1450	50	Surface mounted	P1.2509 12W 120°
18	2000	75	Surface mounted	P1.2509 18W 120°

Filter Structure	Power	Input
Regular	01 12W	12 Constant current 0
Frosted glass	02 18W	18 DC12V 1
Half shaded galls	03	DC24V 2

CCT Range	Optics	Controls
3000K	3 120°	7 ON/OFF 1
4000K	5	DMX512 2
6000K	8	0/1-10V 3
RGB	D	PWM 6
RGBW	H	

ML110-L ML220-L

Surface Mounted Wall Light



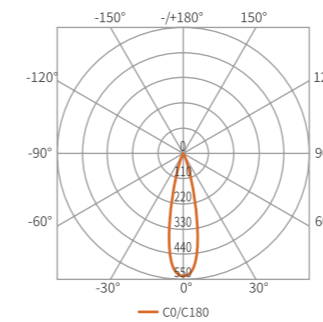
Frame+body Material: Aluminium
 Available finishes: Anodized
 Tempered Glass: 3mm ultra-white tempered glass
 LED brand: CREE/OSRAM/NICHIA
 Power Supply: Internal
 Installation: 86 box screw installation, Ambient temperature -20°C~+45°C
 Cable: Outdoor used rubber cable, 1.1M length
 Unit Weight: 0.2Kg
 Controls: ON/OFF(Non dim)
 Protection Class: IP40
 Certificate: CE, Rohs, IP, ETL
 (LED)Averaged Lifetime: 50,000hrs

Please refer to pages 283-285 to choose a remote power supply.

IP40 rated

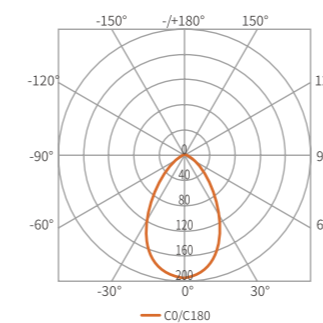
50000h
Long lifetime

ML110 1W 4000K 20°



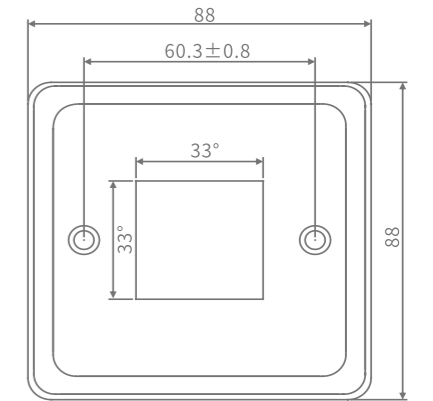
H(m)	Eavg(lx)	Emax(lx)	D(cm)
1	367.1	544.4	33.47
2	91.77	136.1	66.95
3	40.79	60.48	100.42
4	22.94	34.02	133.89
5	14.68	21.77	167.36

ML110 1W 4000K 60°



H(m)	Eavg(lx)	Emax(lx)	D(cm)
1	97.53	163.2	83.04
2	10.84	18.14	249.13
3	3.901	6.53	415.22
4	1990	3.332	581.3
5	1.204	2.015	747.39

Unit: mm



Parameters

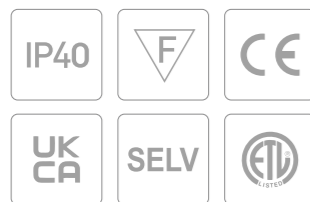
Power(W)	Source flux(lm)	Delivered flux(lm)	Applications	Product Code
1	130	110	Surface mounted	Q1.0110 ± 01 ⚡ ⚡ ⚡ ⚡
2	260	220	Surface mounted	Q1.0220 ± 02 ⚡ ⚡ ⚡ ⚡

Filter Structure	☀	Power	①	Input	⚡
Regular	01	1W	01	220VAC	7
Frosted glass	02	2W	02		

CCT Range	⊗	Optics	▾	Controls	⊕
3000K	3	20°	3	ON/OFF	1
4000K	5	30°	4		
6000K	8	45°	5		
		60°	6		

ML102-L ML102-2L

Surface Mounted Wall Light

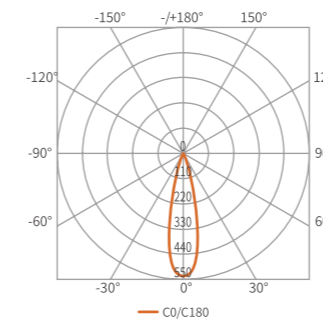


Frame+body Material: SUS316
 Available finishes: Brushed, Anodized
 Tempered Glass: 3mm ultra-white tempered glass
 LED brand: CREE/OSRAM/NICHIA
 Power Supply: Internal
 Installation: 86 box screw installation, Ambient temperature -20°C~+45°C
 Cable: Outdoor used rubber cable, 1.1M length
 Unit Weight: 0.25Kg
 Controls: ON/OFF(Non dim)
 Protection Class: IP40
 Certificate: CE, Rohs, IP, ETL
 (LED)Averaged Lifetime: 50,000hrs

Please refer to pages 283-285 to choose a remote power supply.

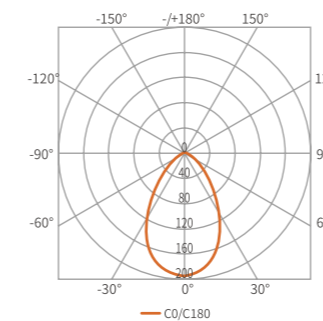
IP40 rated	SUS316 Entirely Stainless steel	50000h Long lifetime
------------	---------------------------------------	-------------------------

ML102-L 1W 4000K 20°



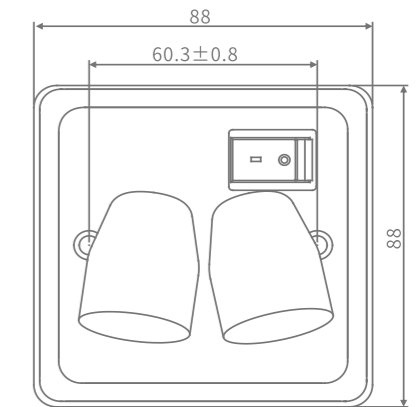
H(m)	Eavg(lx)	Emax(lx)	D(cm)
1	367.1	544.4	33.47
2	91.77	136.1	66.95
3	40.79	60.48	100.42
4	22.94	34.02	133.89
5	14.68	21.77	167.36

ML102-L 1W 4000K 60°



H(m)	Eavg(lx)	Emax(lx)	D(cm)
1	97.53	163.2	83.04
2	10.84	18.14	249.13
3	3.901	6.53	415.22
4	1990	3.332	581.3
5	1.204	2.015	747.39

Unit: mm



Parameters

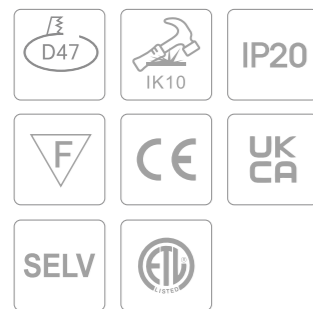
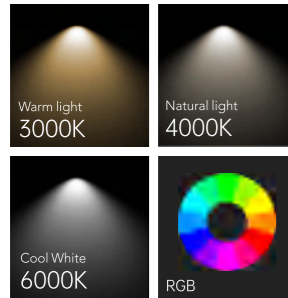
Power(W)	Source flux(lm)	Delivered flux(lm)	Applications	Product Code
1	130	110	Surface mounted	Q2.0102 ± 01 ⚡ ⚡ ⚡ ⚡
2	260	220	Surface mounted	Q2.0102 ± 02 ⚡ ⚡ ⚡ ⚡

Filter Structure	☀	Power	①	Input	⚡
Regular	01	1W	01	220VAC	7
Frosted glass	02	2W	02		
Two Sides	39				

CCT Range	⊗	Optics	↙	Controls	⊕
3000K	3	20°	3	ON/OFF	1
4000K	5	30°	4		
6000K	8	45°	5		
		60°	6		

LED03

Surface Mounted
Wall Light



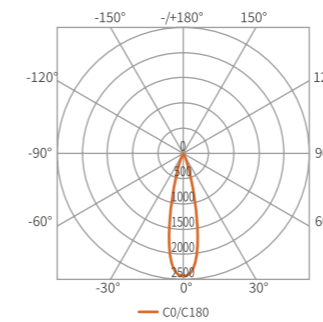
Frame+body Material: Aluminium
 Available finishes: Brushed, Anodized
 LED brand: CREE/OSRAM/NICHIA
 Power Supply: External (CC)
 Installation: Surface mounted, Ambient temperature -20°C~+45°C
 Cable: Outdoor used rubber cable, 1.1M length
 Unit Weight: 0.1Kg
 Controls: Constant Current, ON/OFF(Non dim)
 Protection Class: IP20
 Certificate: CE, Rohs, IP, ETL
 (LED)Averaged Lifetime: 50,000hrs

Please refer to pages 283-285 to choose a remote power supply.

IP20 rated

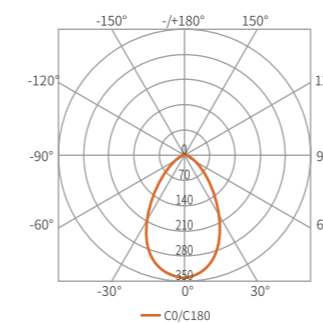
50000h
Long lifetime

LED03 3W 4000K 20°



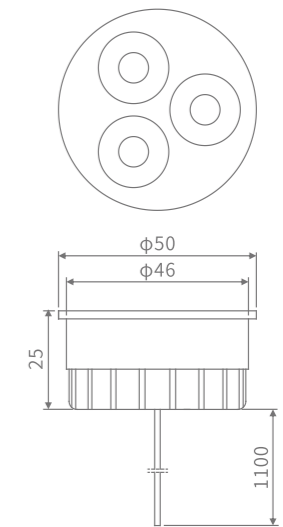
H(m)	Eavg(lx)	Emax(lx)	D(cm)
1	1417	2038	23.97
2	354.3	509.51	47.95
3	157.5	226.5	71.92
4	88.58	127.4	95.9
5	56.69	81.52	119.87

LED03 3W 4000K 60°

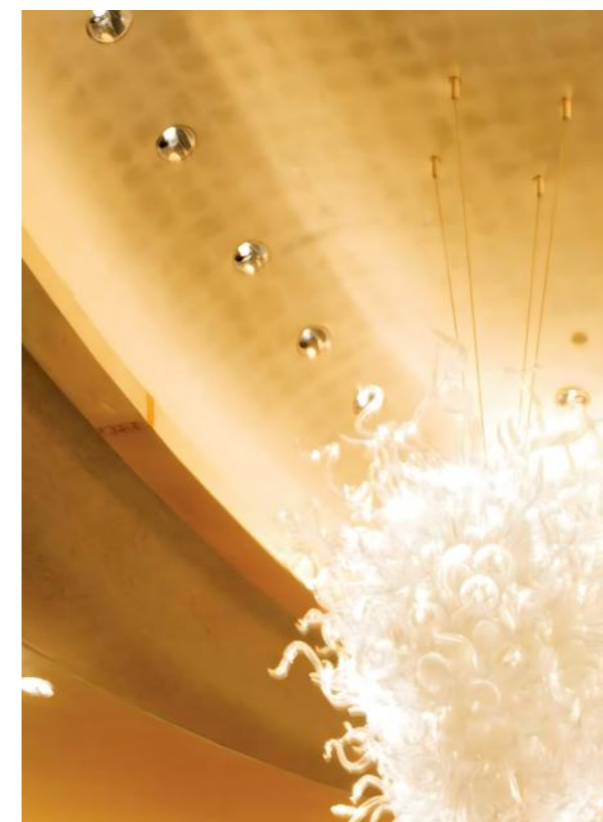


H(m)	Eavg(lx)	Emax(lx)	D(cm)
1	142.7	216.7	81.32
2	53.02	80.52	133.04
3	23.56	35.78	200.1
4	13.26	20.13	266.79
5	8.483	12.88	333.49

Unit: mm



Drill size: D47mm



Parameters

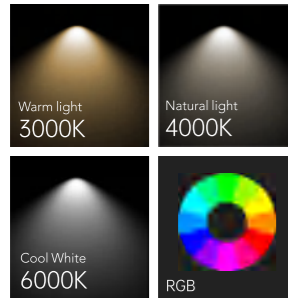
Power(W)	Source flux(lm)	Delivered flux(lm)	Applications	Product Code
3	390	315	Surface mounted	D1.0003 ±03 ⚡⚡⚡⚡⚡

Filter Structure	Power	Input
Regular	01 3W	03 Constant current 0

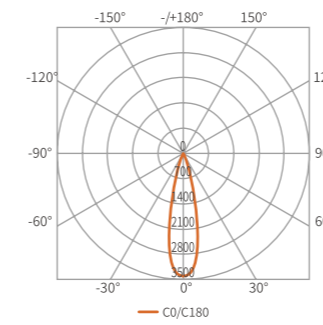
CCT Range	Optics	Controls
3000K	3 20°	Constant current 0
4000K	5 30°	ON/OFF 1
6000K	8 45°	
RGB	D 60°	

LED09

Surface Mounted Wall Light

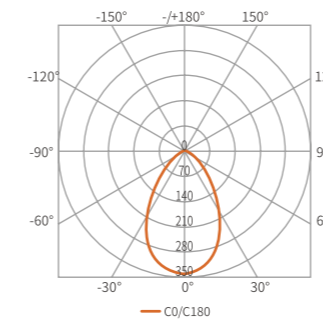


LED09 9W 4000K 20°

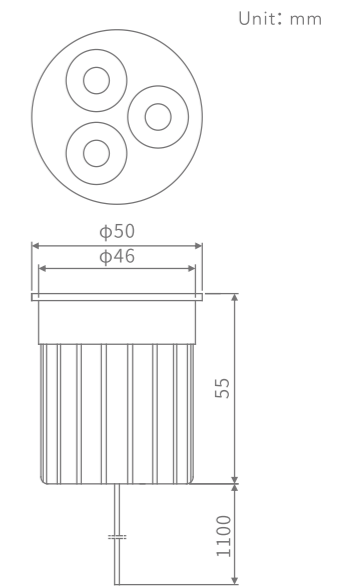


H(m)	Eavg(lx)	Emax(lx)	D(cm)
1	2147	3134	23.57
2	536.8	783.5	47.14
3	238.6	348.2	70.7
4	134.2	195.9	94.27
5	85.59	125.4	117.84

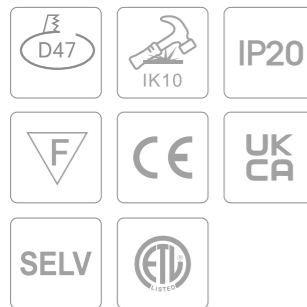
LED09 9W 4000K 60°



H(m)	Eavg(lx)	Emax(lx)	D(cm)
1	143.5	214.31	81.96
2	53.33	79.63	134.45
3	23.7	35.39	201.67
4	13.33	19.91	268.89
5	8.532	12.741	336.11



Drill size: D47mm



Frame+body Material: Aluminium
 Available finishes: Brushed, Anodized
 LED brand: CREE/OSRAM/NICHIA
 Power Supply: External (CC)
 Installation: Surface mounted, Ambient temperature -20°C~+45°C
 Cable: Outdoor used rubber cable, 1.1M length
 Unit Weight: 0.15Kg
 Controls: Constant Current, ON/OFF(Non dim)
 Protection Class: IP20
 Certificate: CE, Rohs, IP, ETL
 (LED)Averaged Lifetime: 50,000hrs

Please refer to pages 283-285 to choose a remote power supply.

IP20 rated

50000h
Long lifetime



Parameters

Power(W)	Source flux(lm)	Delivered flux(lm)	Applications	Product Code
9	(700MA) 790	580	Surface mounted	D1.0009 ±09 ⚡⚡⚡⚡⚡

Filter Structure	☀️	Power	Ⓜ️	Input	⚡
Regular	01	9W	09	Constant current	0

CCT Range	⊗	Optics	📐	Controls	⊕
3000K	3	20°	3	Constant current	0
4000K	5	30°	4	ON/OFF	1
6000K	8	45°	5		
RGB	D	60°	6		

09

Customized



09

EURBORN

Customized

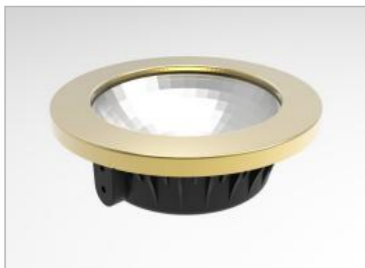
Based on 20 years of professional experience in outdoor products and architectural lighting, it allow us to provide a full range of customized products to customers around the world. We are able to meet customer special requirements for lamps in specific use environments, such as different application scenarios, appearance and structure, size and shape, performance of lamps, protection levels and other aspects of individual needs. Complete a full range of services and processes.

In addition, we also provide installation customization, accessories customization, intelligent customization, as well as project-based three-dimensional solutions customization services. We have the ability to provide full customization services from idea to finished product, and we are dedicated to providing high-quality and satisfactory service for global customers.

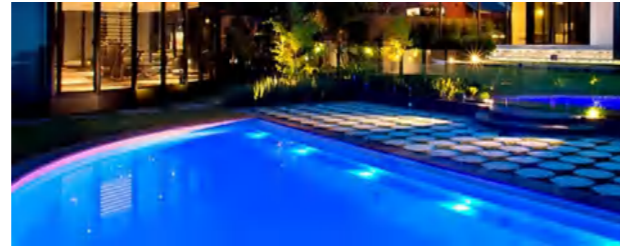
20 years
Professional experience

Accessories
customization

Intelligent
customization



CUSTOMIZED SERVICES



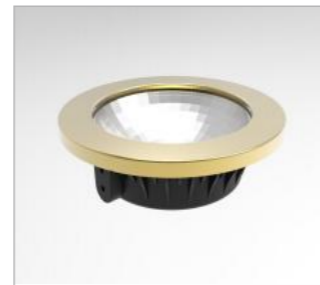
Uplighting, Cable Mounted
illuminates Ceiling Canopy

Wattage: 15W
Waterproof grade: IP65
Dimension: D130*H35
Angle: 120°



Frosted Acrylic Lamps

Wattage: 1W
Waterproof grade: IP65
Dimension: 50X50X50
Angle: 180°

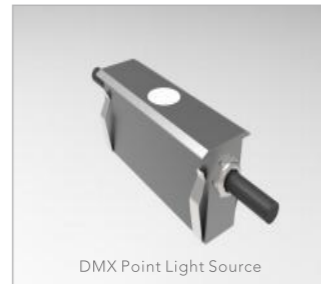


Wattage: 8W
Waterproof grade: IP65
Dimension: D169*H55
Angle: 60°



Marine Ceiling Light

Wattage: 8W
Waterproof grade: IP65
Dimension: D169*H55
Angle: 120°



DMX Point Light Source

Wattage: 2W
Waterproof grade: IP67
Dimension: 80*W26*H35
Angle: 120°



Wattage: 0.5W
Waterproof grade: IP65
Dimension: D28*H40
Angle: 120°



Acrylic
Decorative
Lamps

Wattage: 15W
Waterproof grade: IP65
Dimension: D418*H100
Angle: 120°



Acrylic Lamps

Wattage: 3W
Waterproof grade: IP68
Dimension: D82*H146
Angle: 120°



Uplighting Lamps To
illuminate The Ceiling

Wattage: 10W
Waterproof grade: IP65
Dimension: D95*H223
Angle: 120°

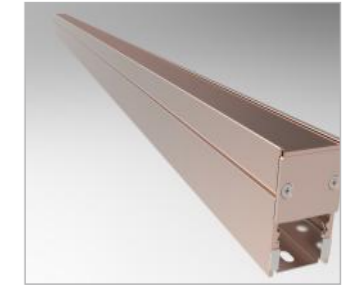


Transparent Adjustable
Angle Line Light

Wattage: 14W
Waterproof grade: IP65
Dimension: 1000*W40*H37
Angle: 180°



Wattage: 9W
Waterproof grade: IP67
Dimension: W150*H216
Angle: 20°/60°



Wattage: 15W
Waterproof grade: IP66
Dimension: 1000*W28*H46
Angle: 120°



Brass Sidewall Light, Walkway Light,
Suitable For Roads, Rivers

Wattage: 12W
Waterproof grade: IP68
Dimension: 160XW109XH52
Angle: 20°/60°/120°



Led Dock Light, Realize The White,
Blue Flash Warning

Wattage: 12W
Waterproof grade: IP67
Dimension: D160XH50
Angle: 120°



Wattage: 20W
Waterproof grade: IP65
Dimension: 110*W49*H95
Angle: 10X120°



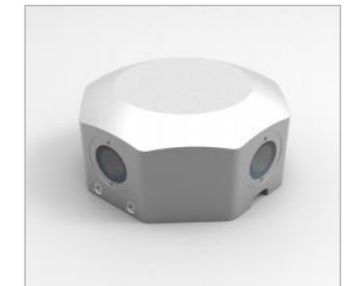
Ring-shaped Luminous Light

Wattage: 2W
Waterproof grade: IP65
Dimension: D50*H27
Angle: 120°



Led Wine Culture Light

Wattage: 8W
Waterproof grade: IP65
Dimension: 150X150X40
Angle: 120°



Wattage: 20W
Waterproof grade: IP65
Dimension: 130*130*H70
Angle: 10°



Acrylic Decorative Lamps

Wattage: 3W
Waterproof grade: IP65
Dimension: D99XH45
Angle: 360°



Compact Point Light Source

Wattage: 0.5W
Waterproof grade: IP65
Dimension: D9/D12/D17
Angle: 70°



Uplighting Lights To
illuminate The Ceiling

Wattage: 1W
Waterproof grade: IP65
Dimension: D23XH60
Angle: 40°

10

Accessories



System And Connection

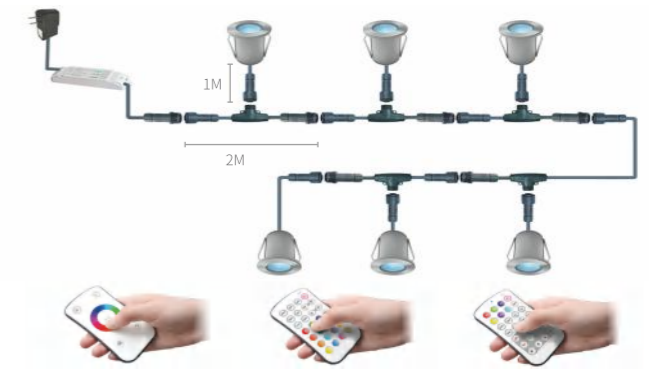


DX8S
 RGBW Touch Screen
 Input Voltage: 100-240VAC
 Output Signal: RF2.4G+DMX512
 RF Remote Distance: 30m
 Control Mode: 4-zone control

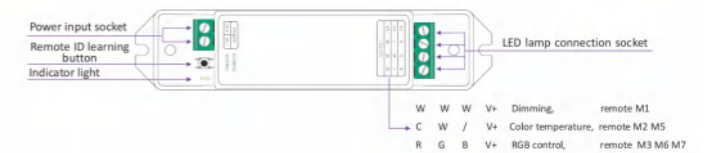
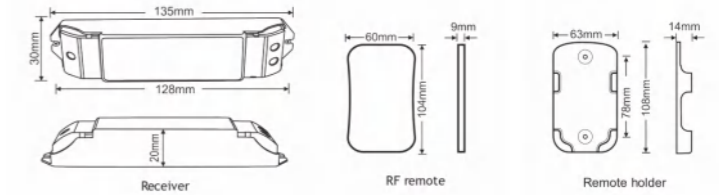


Mini M3-3A

Model: M3-3A
 Power input: 12-24V DC
 Maximum current load: Maximum 3Ax3CH
 Maximum output power: 108W (12V) 216W (24V)
 Operating temperature: -30°C-55°C
 Dimensions: L135xW30xH20 (mm)
 Weight (N.W.): 47g
 Total Weight (Wt.): 135g



Model: M3/M6/M7
 Operating voltage: 3V (battery Cr2032)
 Operating frequency: 433.92MHz
 Distance: 30m
 Operating temperature: -30°C-55°C
 Dimension: L104xW58xH9 (mm)
 Weight (N.W.): 42g

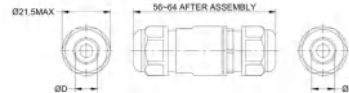


ACCESSORIES



Waterproof connector

Model: KJ-PG9-07 KJ-PG9-05
Pole position: 2
Rated Operating Voltage: 250V
Rated Current: 10A
Operating Temperature: -40~85°C
Color: black
IP Rating: IP68
Waterproof Depth: 4m
Weight: 16.5g
Weight: TUV SAA CE

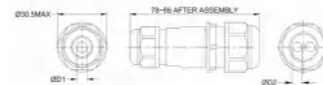


Accessory Model	Wire Diameter (mm)	Accessory1	Accessory2	Max Torque (kgf.cm)	Max Torque (kgf.cm)
KJ-PG9-07	5-7.9	PG9-08B	2	10.0-12.0	16.0
KJ-PG9-05	3-5.3	PG9-05B			



Waterproof connector

Model: 3T-M20-0806H2 3T-M20-1006H2
Pole position: 3
Rated Operating Voltage: 400V
Rated Current: 13A
Operating Temperature: -40~95°C
Color: Black
IP Rating: IP68
Waterproof Depth: 4m
Weight: 36g
Weight: TUV SAA CE

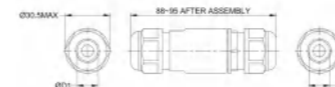


Accessory Model	Wire Diameter ΦD1(mm)	Wire Diameter 4xxΦD2(mm)	Accessory1	Accessory2	Max Torque (kgf.cm)	Max Torque (kgf.cm)
3T-M32-1211H2	8-12	8.0-11.5	M32-H2-11	3/4	20-23	50
3T-M25-1411H2	10-14				40-45	80



Waterproof connector

Model: KJ-M25S-08 KJ-M25S-10
KJ-M25S-12 KJ-M25S-1214
Pole position: 3/4
Rated Operating Voltage: 400V
Rated Current: 32A
Operating Temperature: -40~95~8451
Color: Black
IP Rating: IP68
Waterproof Depth: 4m
Weight: 50g
Weight: TUV SAA CE

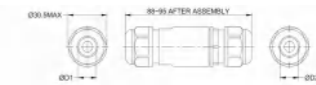


Accessory Model	Wire Diameter ΦD1(mm)	Wire Diameter 4xxΦD2(mm)	Accessory1	Accessory2	Max Torque (kgf.cm)	Max Torque (kgf.cm)
KJ-M25S-08	5-8.1	8-12	M25S-08	3/4	20-23	50 60
KJ-M25S-12	8-12	8-12	M25S-12			
KJ-M25S-14	10-14	10-14	M25S-14			
KJ-M25S-12-14	10-14	8-12	M25S-12			



Waterproof connector

Model: KJ5-M25S-08 KJ5-M25S-10
KJ5-M25S-12 KJ5-M25S-1214
Pole position: 5
Rated Operating Voltage: 500V
Rated Current: 13A
Operating Temperature: -40~95~8451
Color: Black
IP Rating: IP68
Waterproof Depth: 4m
Weight: 50g
Weight: TUV SAA CE

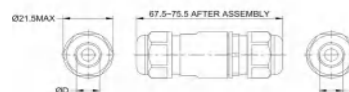


Accessory Model	Wire Diameter ΦD1(mm)	Wire Diameter 4xxΦD2(mm)	Accessory1	Accessory2	Max Torque (kgf.cm)	Max Torque (kgf.cm)
KJ5-M25S-08	8-8.1	8-12	M25S-08	5	20-23 20-23	50 60
KJ5-M25S-12	8-12	8-12	M25S-12			
KJ5-M25S-14	10-14	10-14	M25S-14			
KJ5-M25S-12-14	10-14	8-12	M25S-12			



Waterproof connector

Model: KJ-PG9-08
Pole position: 3
Rated Operating Voltage: 300V
Rated Current: 10A
Operating Temperature: -40~85°C
Color: Black
IP Rating: IP68
Waterproof Depth: 4m
Weight: 16.5g
Weight: TUV SAA CE

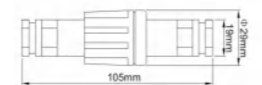


Accessory Model	Wire Diameter (mm)	Accessory1	Accessory2	Max Torque (kgf.cm)	Max Torque (kgf.cm)
KJ-PG9-08	4-8.2	KJ-PG9	3	10.0-12.0	16



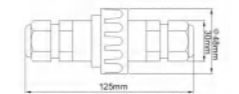
Waterproof connector

Model: WJM2/4P
Voltage: AC max 0-250V
Current: Maximum 6A
Color: Black
IP rating: IP68
Cable applicable diameter: 5-8mm
Weight: 38g
Certification: CE



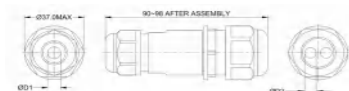
Waterproof connector

Model: WJ/4P
Voltage: AC max 0-250V
Current: Maximum 10A
Color: Black
IP rating: IP68
Cable applicable diameter: 6-10mm
Weight: 94g



Waterproof connector

Model: 5T-M25-0806H4
5T-M25-1206H4
5T-M25-1406H4
Pole position: 3 or 4
Rated working voltage: 400V
Rated current: 32A
Operating Temperature: -40~95°C
Color: Black
IP Rating: IP68
Waterproof depth: 4m
Weight: 65g
Approvals: TUV SAA CE

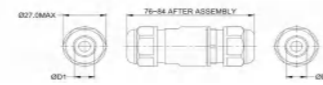


Accessory Model	Wire Diameter ΦD1(mm)	Wire Diameter 4xxΦD2(mm)	Accessory1	Accessory2	Max Torque (kgf.cm)	Max Torque (kgf.cm)
5T-M25-0806H4	8-8.1	4.0-6.5	M25-H4-06	3/4	20-23	50
5T-M25-0806H4	8-12				20-28	60
5T-M25-0806H4	10-14					



Waterproof connector

Model: KJ-M20S-07 KJ-M20S-11
KJ4-M20S-0711
KJ4-M20S-07 KJ4-M20S-11
Pole position: 3/4
Rated Operating Voltage: 400V
Rated Current: 13A
Operating Temperature: -40~95°C
Color: Black
IP Rating: IP68
Waterproof Depth: 4m
Weight: 30g
Weight: TUV SAA CE

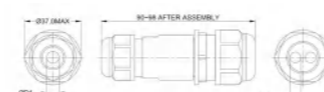


Accessory Model	Wire Diameter ΦD1(mm)	Wire Diameter 4xxΦD2(mm)	Accessory1	Accessory2	Max Torque (kgf.cm)	Max Torque (kgf.cm)
KJ-M20S-07	5-7.9	5-7.9	M20S-07	3/4	20-23 20-23	50 60
KJ-M20S-11	7-10.5	7-10.5	M20S-11			
KJ-M20S-0711	5-7.9	7-10.5	M20S-11			
KJ-M20S-07	5-7.9	5-7.9	M20S-07			
KJ-M20S-11	7-10.5	7-10.5	M20S-11			



Waterproof connector

Model: 3T-M25-1208H2 3T-M25-1408H2
3T-M25-0808H2
Pole position: 3/4
Rated Operating Voltage: 400V
Rated Current: 32A
Operating Temperature: -40~95°C
Color: Black
IP Rating: IP68
Waterproof Depth: 4m
Weight: 65g
Weight: TUV SAA CE

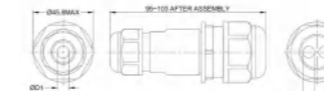


Accessory Model	Wire Diameter ΦD1(mm)	Wire Diameter 4xxΦD2(mm)	Accessory1	Accessory2	Max Torque (kgf.cm)	Max Torque (kgf.cm)
3T-M25-1208H2	8-12	5.0-8.3	M25-H2-08	3/4	20-23	50
3T-M25-1408H2	10-14				20-28	60
3T-M25-0808H2	5-8.1					



Waterproof connector

Model: 3T-M32-1211H2 3T-M32-1411H2
Pole position: 3/4
Rated Operating Voltage: 400V
Rated Current: 32A
Operating Temperature: -40~95°C
Color: Black
IP Rating: IP68
Waterproof Depth: 4m
Weight: 65g
Weight: TUV SAA CE

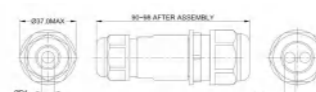


Accessory Model	Wire Diameter ΦD1(mm)	Wire Diameter 4xxΦD2(mm)	Accessory1	Accessory2	Max Torque (kgf.cm)	Max Torque (kgf.cm)
3T-M32-1211H2	8-12	8.0-11.5	M32-H2-11	3/4	20-23	50
3T-M25-1411H2	10-14				40-45	80



Waterproof connector

Model: 4T-M25-0808H3 4T-M25-1208H3
4T-M25-1408H3
Pole position: 3/4
Rated Operating Voltage: 400V
Rated Current: 32A
Operating Temperature: -40~95°C
Color: Black
IP Rating: IP68
Waterproof Depth: 4m
Weight: 65g
Weight: TUV SAA CE

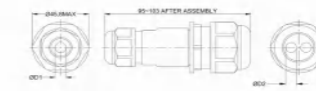


Accessory Model	Wire Diameter ΦD1(mm)	Wire Diameter 4xxΦD2(mm)	Accessory1	Accessory2	Max Torque (kgf.cm)	Max Torque (kgf.cm)
4T-M25-0808H3	5-8.1	5.0-8.0	M25-H3-08	3/4	20-23	50
4T-M25-1208H3	8-12				20-28	60
4T-M25-1408H3	10-14					



Waterproof connector

Model: 4T-M32-1201H2 4T-M32-1408H3
Pole position: 3/4
Rated Operating Voltage: 400V
Rated Current: 32A
Operating Temperature: -40~95°C
Color: Black
IP Rating: IP68
Waterproof Depth: 4m
Weight: 80g
Weight: TUV SAA CE



Accessory Model	Wire Diameter ΦD1(mm)	Wire Diameter 4xxΦD2(mm)	Accessory1	Accessory2	Max Torque (kgf.cm)	Max Torque (kgf.cm)
4T-M32-1210H3	8-12	7.0-10.5	M32-H3-10	3/4	20-23	50
4T-M25-1410H3	10-14				40-45	80

ACCESSORIES



Name: Junction Box
Model: EIP68-1A EIP68-1B
EIP68-1C
Color: Black
IP Rating: IP68
Waterproof depth: 4 m
Weight: 45g
Approval: ROHS

Specification	Incoming Wires	Outgoing Wire	Internal Size
EIP68-1A	1xΦ7.0-10.5	1xΦ7-10.5	Φ45x30mm
EIP68-1B	1xΦ5.0-8.0	1xΦ5-8.0	
EIP68-1C	1xΦ7.0-10.5	1xΦ7-8.0	



Name: Junction Box
Model: EIP68-2A EIP68-2B
EIP68-2C
Color: Black
IP Rating: IP68
Waterproof depth: 4 m
Weight: 53g
Approval: ROHS

Specification	Incoming Wires	Outgoing Wire	Internal Size
EIP68-2A	2xΦ7.0-10.5	1xΦ7-10.5	Φ45x33.3mm
EIP68-2B	2xΦ5.0-8.0	1xΦ5-8.0	
EIP68-2C	2xΦ7.0-10.5	1xΦ7-8.0	



Name: Junction Box
Model: EIP68-3A EIP68-3B
EIP68-3C EIP68-3D
Color: Black
IP Rating: IP68
Waterproof depth: 4 m
Weight: 65g
Approval: ROHS

Specification	Incoming Wires	Outgoing Wire	Internal Size
EIP68-3A	1xΦ7.0-10.5	1xΦ7-7.9	Φ55x34mm
EIP68-3B	1xΦ5.0-8.0	1xΦ5-8.3	
EIP68-3C	1xΦ7.0-10.5	1xΦ7-7.9	
EIP68-3D	1xΦ7.0-10.5	1xΦ7-8.3	



Name: Junction Box
Model: EIP68-5A EIP68-5B
EIP68-5C EIP68-5D
Color: Black
IP Rating: IP68
Waterproof depth: 4 m
Weight: 78g
Approval: ROHS

Specification	Incoming Wires	Outgoing Wire	Internal Size
EIP68-5A	1xΦ7.0-10.5	5xΦ5.0-7.9	Φ62.5x34mm
EIP68-5B	1xΦ7.0-10.5	5xΦ5.05-8.3	
EIP68-5C	1xΦ5.0-8.0	5xΦ5.0-7.9	
EIP68-5D	1xΦ5.0-10.5	5xΦ5.0-8.3	



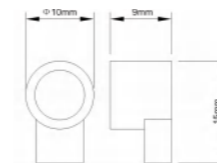
FQ16-2P waterproof extended line
Model: FQ16-2P Waterproof Connector
Approbations: CE
Current: 10A max
Colour: Black
IP Rating: IP67



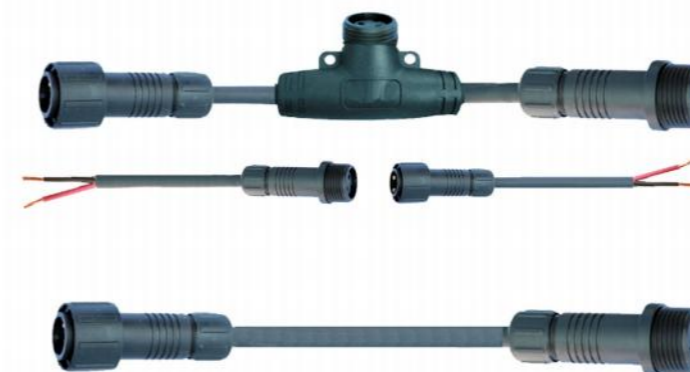
Waterproof connection plug
Model: S06
Input: 500V max
Rated Current: 8A
IP Rating: IP68
Applicable Diameter of Cables: 5-9mm



Uy2 quick Waterproof Connector
Use cable 0.2-0.5mm²
not suitable for high voltage



Parallel T type three way
Waterproof plug connector 2P/4P
Model: 3T
Input: 300V max
Rated Current: 13A
IP Rating: IP67
Applicable Diameter of Cables: 5---9mm
Insulator material: Nylon
Connection: screw type



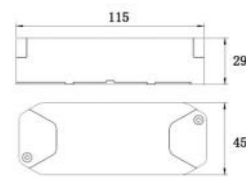
Model: M20B-2P Tee Waterproof Connector
M20B-2P Waterproof plug
Approbations: CE
Current: 15A max
Colour: Black
IP Rating: IP67

Model: M20B-4P Tee Waterproof Connector
M20B-4P Waterproof plug
Approbations: CE
Current: 12A max
Colour: Black
IP Rating: IP67

ACCESSORIES



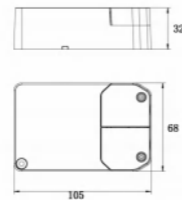
CertaDrive 15W 0.35A 42V



LED type: High power LED15W
 Supply Voltage: 220~240VAC
 Supply current: 0.08A
 Frequency: 50/60Hz
 Power factor: ≥ 0.9
 Constant output current: 350mA
 Rated output power: 11~15W
 Rated output voltage: 32~42V DC
 Temperature range: 0°C~+50°C
 Tc=75°C
 Dimension: 115x45x29mm



CertaDrive 25W 0.6A 42V



LED type: High power LED25W
 Supply Voltage: 220~240VAC
 Supply current: 0.14A
 Frequency: 50/60Hz
 Power factor: ≥ 0.9
 Constant output current: 600mA
 Rated output power: 20~25W
 Rated output voltage: 32~42V DC
 Temperature range: 0°C~+50°C
 Tc=75°C
 Dimension: 105x68x32mm



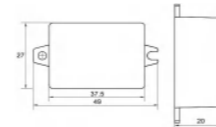
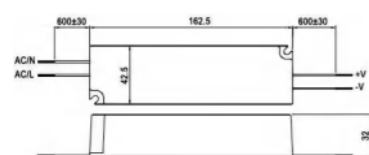
DE-60-12W

Input: 230/240VAC 50Hz
 Standard: EN61558-1EN61558-2-6
 Approval: Europe, UK, South Africa
 Dimensions: 102 x 64 x 74 mm
 Weight: 1450g



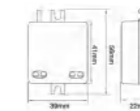
LPV-60-24

Supply Voltage: 100~240VAC
 Supply current: Max1200mA
 Frequency: 50/60Hz
 Power factor: 0.9
 Constant output current: 2500mA
 Rated output power: 60W
 Rated output voltage: 24VDC
 Temperature range: -30°C~+70°C
 Tc=80°C
 Dimension: 162.5x42.5x32mm



LSC4W350LRP UNI

LED type: High power LED1W x3.3W
 Supply Voltage: 100~240VAC
 Supply current: 85mA
 Frequency: 50/60Hz
 Power factor: 0.45
 Constant output current: 350mA
 Rated output power: 1~3.3W
 Rated output voltage: 2.7~9.5V DC
 Temperature range: -20°C~+50°C
 Tc=80°C
 Dimension: 49x27x20mm



LSC6W350

LED type: LED 1W x 3-6
 Supply Voltage: 100~240VAC
 Supply current: 36mA
 Frequency: 50/60Hz
 Power factor: 0.9
 Constant output current: 350mA
 Rated output power: 3-6W
 Rated output voltage: 8.6~18VDC
 Temperature range: -20°C~+50°C
 Tc=80°C
 Dimension: 55.5x38.5x22mm



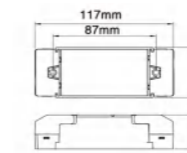
LSC9W350-Z

LED type: LED 1W x 3-6
 Supply Voltage: 100~240VAC
 Supply current: Max130mA
 Frequency: 50/60Hz
 Power factor: 0.9
 Constant output current: 350mA
 Rated output power: 6-9W
 Rated output voltage: 17.1~25.7VDC
 Temperature range: -20°C~+50°C
 Tc=80°C
 Dimension: 65x39x20mm



APC-35-350

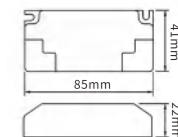
LED type: LED 1W x 10-35
 Supply Voltage: 100~240VAC
 Supply current: Max500mA
 Frequency: 50/60Hz
 Power factor: 0.84
 Constant output current: 350mA
 Rated output power: 10~35W
 Rated output voltage: 28~100VDC
 Temperature range: -30°C~+70°C
 Tc=80°C
 Dimension: 84x57x29.5mm
 Weight: 150g



LBC20W350-Z

LED type: LED 1W x 13-20
 Supply Voltage: 220~240VAC
 Supply current: Max245mA
 Frequency: 50/60Hz
 Power factor: 0.9
 Constant output current: 350mA

Rated output power: 13~20W
 Rated output voltage: 35~58VDC
 Temperature range: -20°C~+50°C
 Tc=85°C
 Dimension: 117x44x30mm



LMC15W350-Z

LED type: LED 1W x 10-15
 Supply Voltage: 220~240VAC
 Supply current: Max95mA
 Frequency: 50/60Hz
 Power factor: 0.9
 Constant output current: 350mA

Rated output power: 9.1~15W
 Rated output voltage: 26~43VDC
 Temperature range: -20°C~+50°C
 Tc=80°C
 Dimension: 85x41x22mm

ACCESSORIES

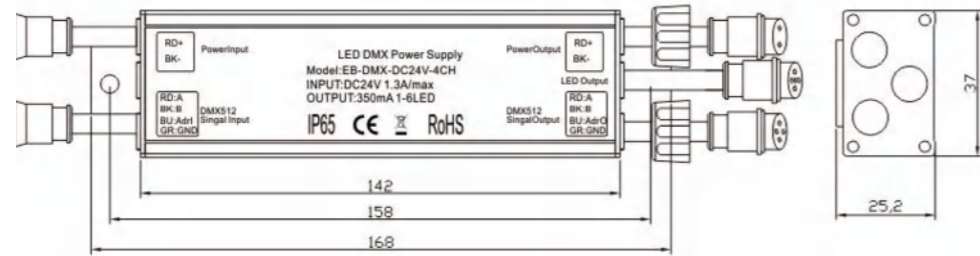


EU-DMX-DC24V-6X1W-4CH
LED DMX Power Supply

Input Voltage: DC24V
Output Current: 350mA/CH*4CH
Output Power: 1-6W*4CH
Driving Quantity: 1-6 High Power LEDx4CH
350mA: 1-6 High Power 1W LED

EU-DMX-12X1W-4CH
LED DMX Power Supply

Input Voltage: DC48V
Output Current: 350mA/CH*4CH
Output Power: 10-12W*4CH
Driving Quantity: 10-12 High Power LEDx4CH
350mA: 1-6 High Power 1W LED



MR-502DMX Controller

Input voltage: AC12V/DC7.5-24V/DC5V
Rated power: 2W
Weight: 0.6KG
Size: 190x96x32

- 32-65536 levels of grayscale control, which can truly restore the image color and details.
- Adopt key to set controller parameters quickly, such as driver chip type, controller number, program segment, playback speed, fixture brightness.
- Support remote control to set controller parameters, such as driver chip type, controller number, program segment, playback speed and frame skipping frequency, fixture brightness and switch-on/off time.
- Support SD card to store the animation data, convenient and quick.
- Program segments can be set independently of the year, month, day, time and week timer playback.
- The controller output has 2 ports SPI signal output and 2 ports DMX512 signal output.
- Support for MR-DMX05, DMX512AP,UCS512 and other DMX512 decoder chip addressing function.
- Between the controller to support AC frequency synchronization, synchronous line synchronization, and other synchronization methods.

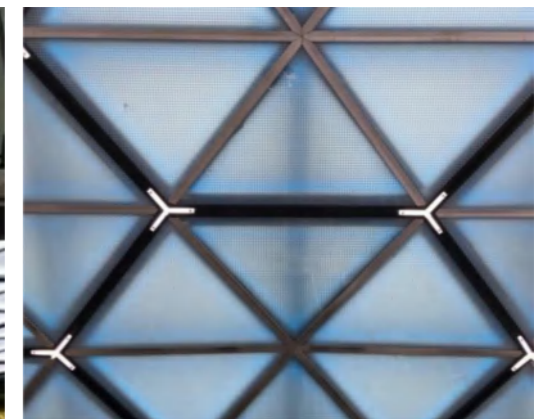
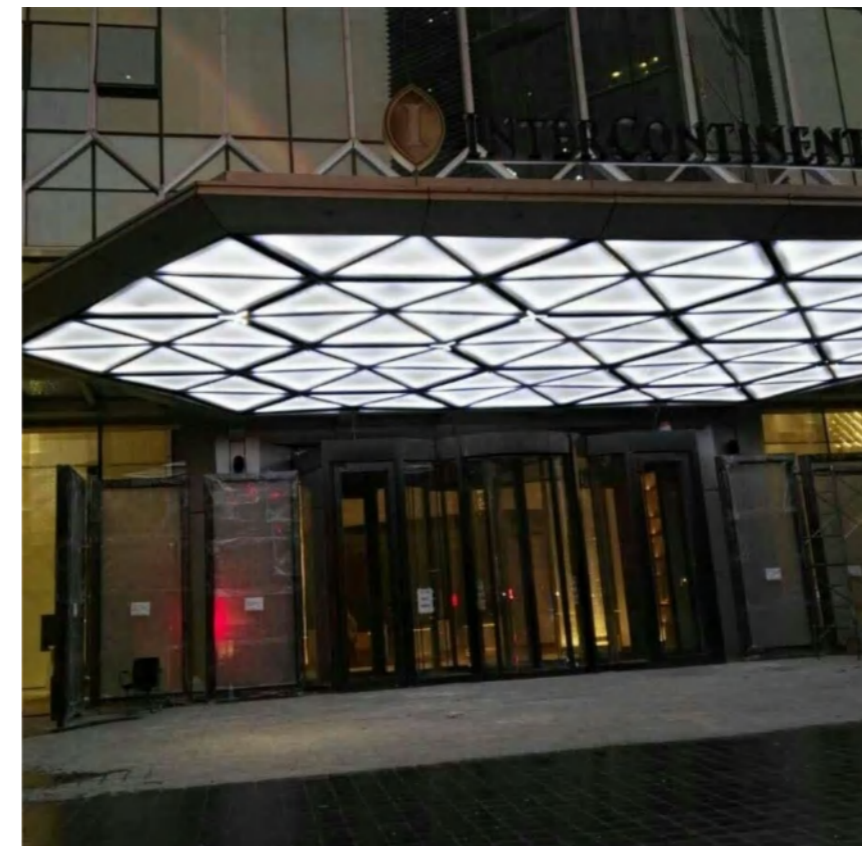
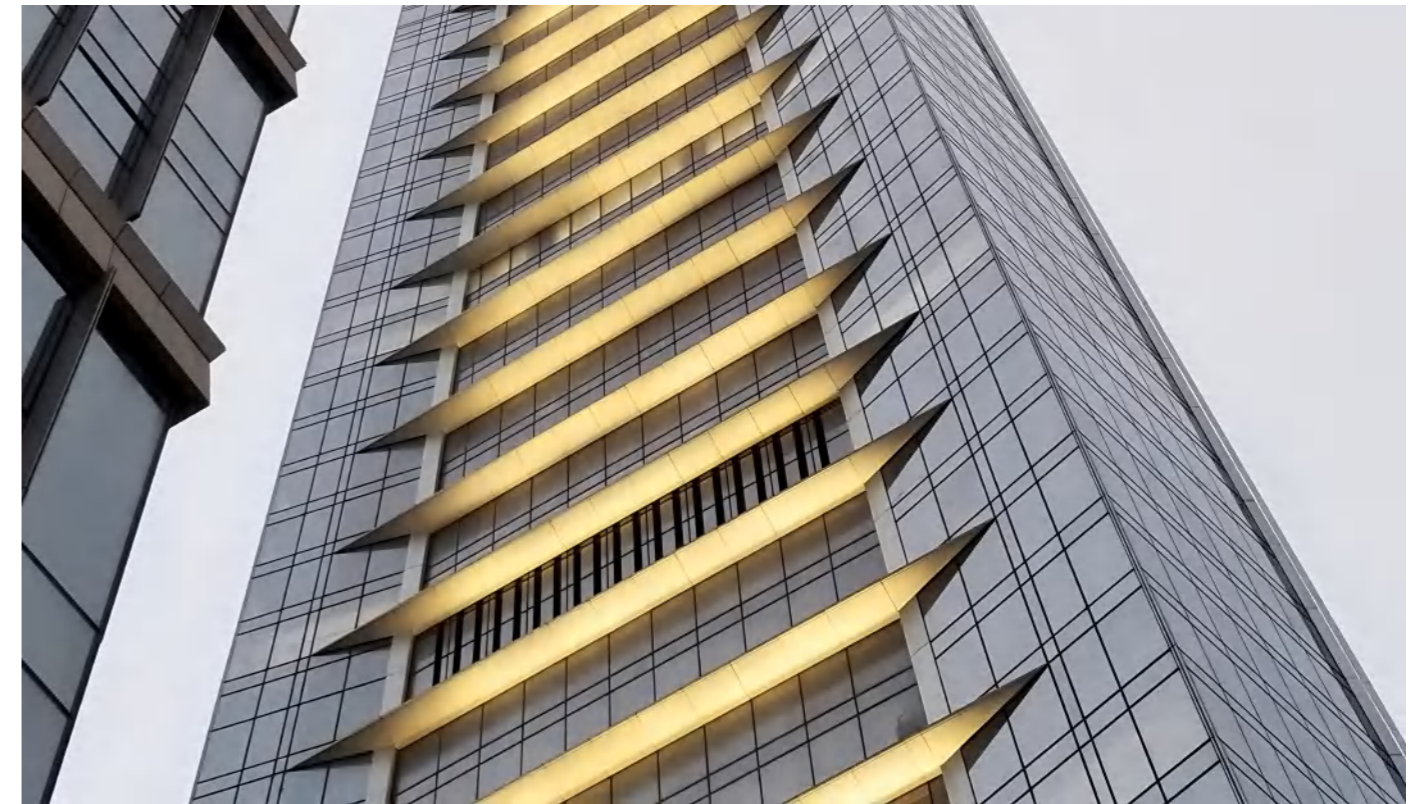


MR-DL11DMX Controller

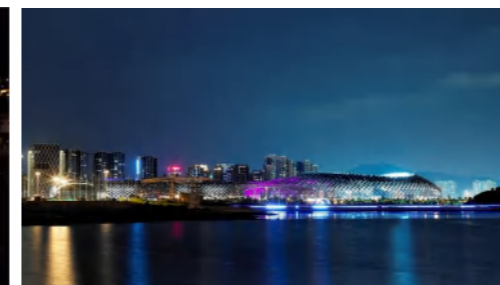
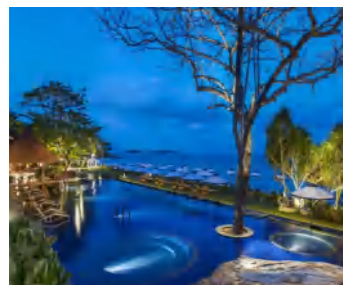
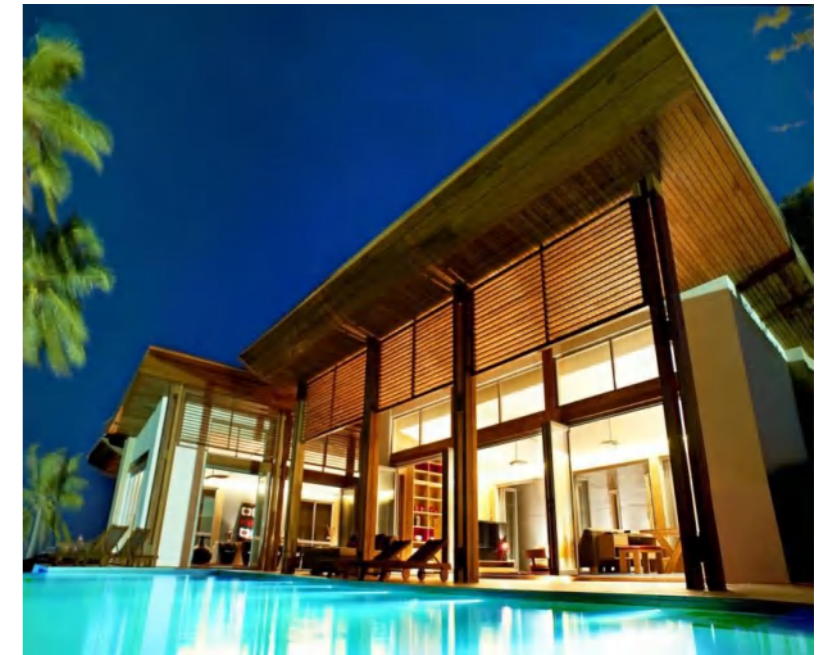
Output Interface: Synchronous serial shift data signal × 1, compatible with DMX512 signal × 1
Gray scale level: 256 level-65536 level
Input voltage: AC12V/DC7V-32V/DC5V
Rated power: 2W
SD card capacity: 8GB (factory standard)
Monoblock size: 147.0mm×70.6mm×26.6mm
Interface form: 3Pin terminal × 34Pin terminal × 2

- 32-65536 levels of grayscale control, which can truly restore the image color and details;
- Using buttons to quickly set the controller parameters, such as program segments, playback speed;
- Support SD card to store animation data, convenient and fast;
- Controller output with 1 port SPI signal output and 1 port DMX512 signal output (can be output at the same time);
- A variety of driver chip control integration, through the software settings to change the chip type, clock frequency, duty cycle, gray level and other parameters;
- Support for AC frequency synchronization between controllers;
- Support for most of the serial drive LED driver chip
- Support for the standard USITDMX512/1990 universal protocol and

PROJECT

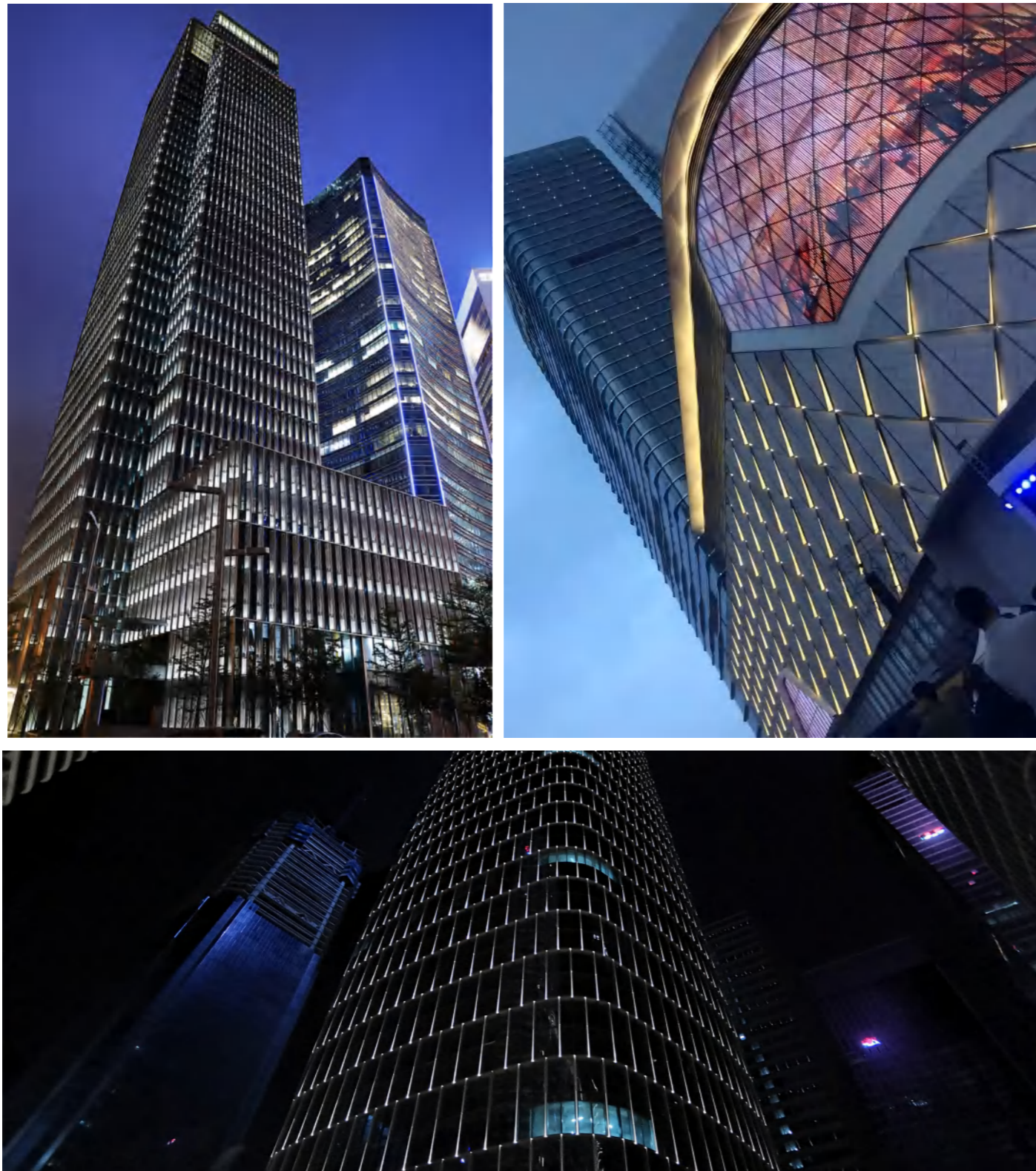


PROJECT



EURBORN
Accessories

PROJECT



SUMMARY OF SELECTED PROJECT CASES

- InterContinental Beijing Sanlitun
- Beijing Zhaolong Hotel
- Diaoyutai State Guesthouse Beijing
- Beijing Lize Ping An Center
- Beijing Guomao Apartment
- Beijing Tongrentang River
- Beijing Chengde Museum
- Ningbo Taipingbird Apparel Headquarters Building
- Xi'an Happy Valley
- Shanghai Sheshan East Purple Garden
- Xi'an Financial Center
- Universal Studios Beijing Noggin Hotel
- Beijing Jiuzhang Villa
- China Pavilion and Yunnan Pavilion of Beijing Garden Expo
- Beijing Fangheng II
- JW Marriott Hotel Jinan
- Shandong Rongcheng Children's Palace
- Shanghai Fengxian Fish
- Xi'an Vanke Daming Palace
- Xi'an Risley Hotel
- Henan Jianye Plaza
- Wuhan Two Rivers and Four Banks
- Moutai Town, Guizhou
- Sanya Joy City
- Shenzhen Nantou Ancient City
- China Merchants Plaza, She Huan, Shenzhen
- Hainan Evergrande Sea Flower Island
- Shenzhen Happy Coast
- Shenzhen Qianhai Excellence
- Shenzhen Excellence Center
- Guangzhou East Tower
- Fairmont Wuhan
- Shenyang Longxiang International Landscape Lighting
- Guangxi Nanning China Resources Times Square
- Shenzhen Kerry Qianhai Sanya Haitang Bay
- Hengqin, Panyu Changlong
- Shenzhen Donghai Center
- Shenzhen Grand Parkway
- Tencent Marina Tower
- Nine Elegant Villas, Shenzhen

ANNEXES

All LEDs must be powered by constant current supplies.

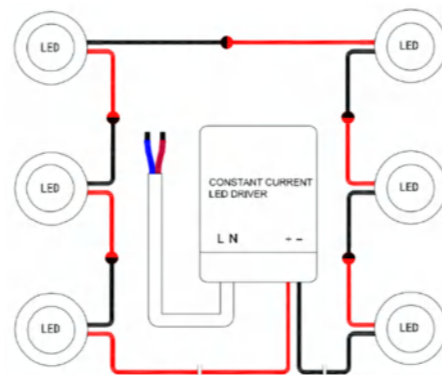
This implicates the need for an electric/ electronic circuit to be able to stabilise the current needed by the LEDs to function properly without altering its working life or performance levels.

Eurborn has decided to develop two different LED module families: constant current (CCM) led modules and constant voltage (CVM) led modules.

The main differences consist of:

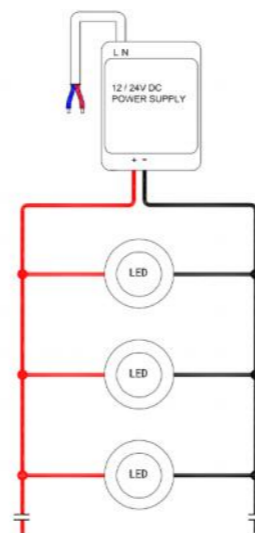
CCM Modules:

- CCM modules must be connected in series.
- All the modules must be powered by the same electrical current.
- The number of LEDs to be connected in series must be known in order to size the power supply unit and to the drive current value.



CVM Modules:

- The CVM modules can be connected in parallel as LEDs have a built-in voltage-current electronic conversion system.
- They can often be powered by different power supply voltages (12Vdc and 24Vdc)
- The voltage that the module accepts and the overall output power required must be known in order to size the power supply unit.



Eurborn has launched its light control power supply units on the market for both CCM and CVM technologies.

The differences between CCM & CVM:

CCM:

- External constant current power supply has more flexible options, can be adapted to a variety of dimming modes and RGB control.
- The output current of the constant current power supply must be consistent with the rated current of the lamps, and all lamps must be connected in series.
- The maximum output voltage of the constant-current power supply must be greater than the sum of the Vf values of all connected lamps (the voltage drop needs to be reasonably considered based on the site installation).
- It is strictly prohibited to connect LED lamps when the constant current power supply is on, which will cause damage to the lamps and the warranty will be immediately expired

CVM:

- Through the internal electronic circuit, the lamp can be adapted to the constant voltage power supply, and the installation and wiring will be easier.
- The output voltage of the constant voltage power supply must be consistent with the rated voltage of the lamps, and all lamps must be in parallel.
- The maximum output power of the constant voltage power supply must be greater than the sum of the power of all connected lamps (the voltage drop needs to be reasonably considered based on the site installation). In general, Eurborn recommends that the power supply is 1.35 times of the sum of the power of the lamps.
- Eurborn has also developed a family of built-in modules that can be used to control the LED world with systems such as DMX, DALI, PWM, 0-10V. It allows all the built-in modules can be connected to a variety of standard controllers.
- It is strictly prohibited to connect LED lamps when the constant voltage power supply is on, which will cause damage to the lamps and the warranty will be immediately expired

Ingress protection (IP) ratings guide

IP ratings are represented by combining the first and second digits of the below columns

1st numeral - solid foreign objects

0	No protection	
1	Protected against solid foreign objects of 50 mm Ø and greater	
2	Protected against solid foreign objects of 12,5 mm Ø and greater	
3	Protected against solid foreign objects of 2,5 mm Ø and greater	
4	Protected against solid foreign objects of 1.0 mm Ø and greater	
5	Dust-protected	
6	Dust-tight	

2nd numeral - water

0	No protection		
1	Protected against vertically falling water drops		Vertically falling drops shall have no harmful effects
2	Protected against vertically falling water drops when enclosure tilted up to 15°		Vertically falling drops shall have no harmful effects when the enclosure is tilted at any angle upto 15° on either side of the vertical
3	Protected against spraying water		Water sprayed at an angle up to 60° on either side of the vertical shall have no harmful effects
4	Protected against splashing water		Water splashed against the enclosure from any direction shall have no harmful effects
5	Protected against water jets		Water projected in jets against the enclosure from any directions shall have no harmful effects
6	Protected against powerful water jets		Water projected in powerful jets against the enclosure from any direction shall have no harmful effects
7	Protected against the effects of temporary immersion in water		Ingress of water in quantities causing harmful effects shall not be possible when the enclosure is temporarily immersed in water under standardized conditions of pressure and time
8	Protected against the effects of continuous immersion in water		Ingress of water in quantities causing harmful effects shall not be possible when the enclosure is continuously immersed in water under conditions which shall be agreed between manufacturer and user but which are more severe than for numeral 7
9	Protected against high pressure and temperature water jets		Water projected at high pressure and high temperature against the

